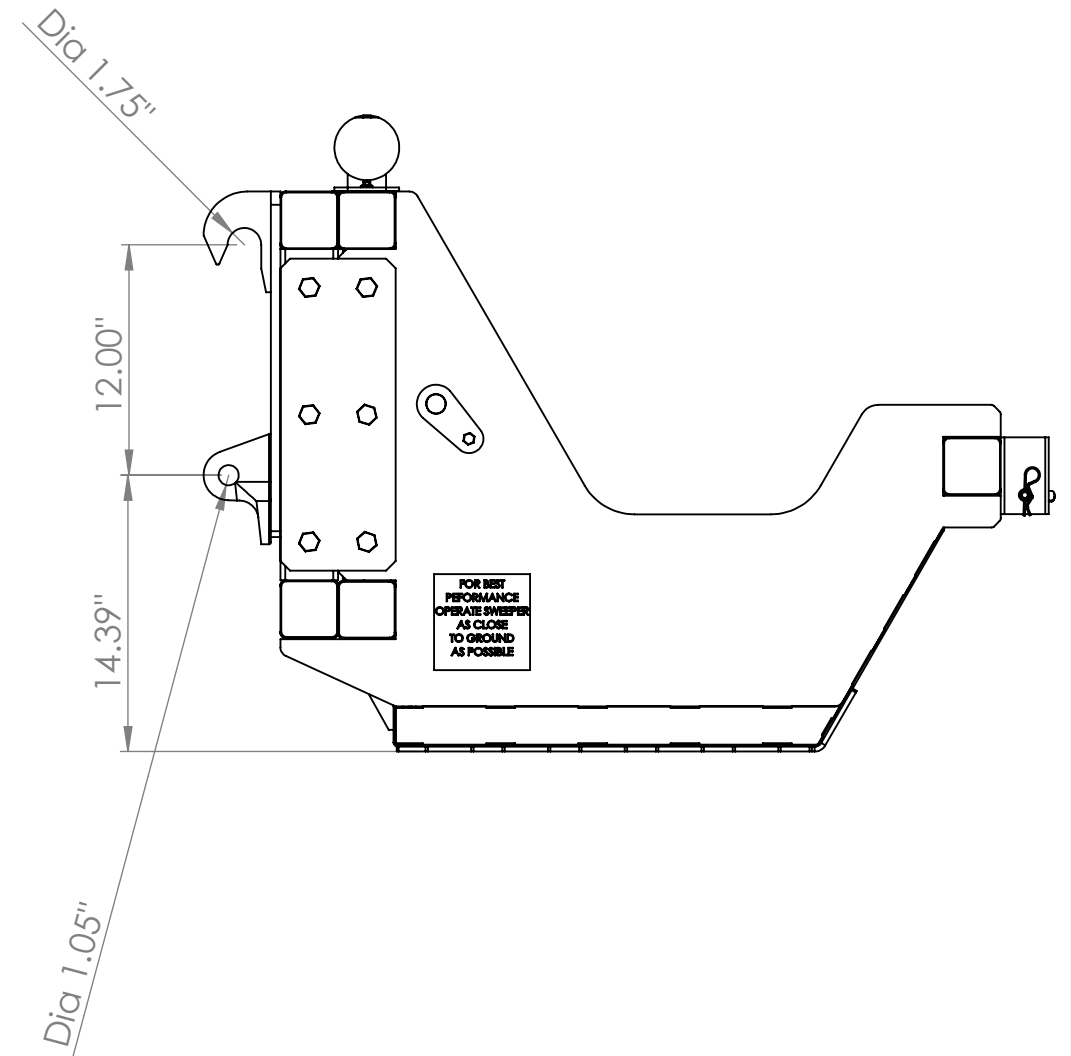
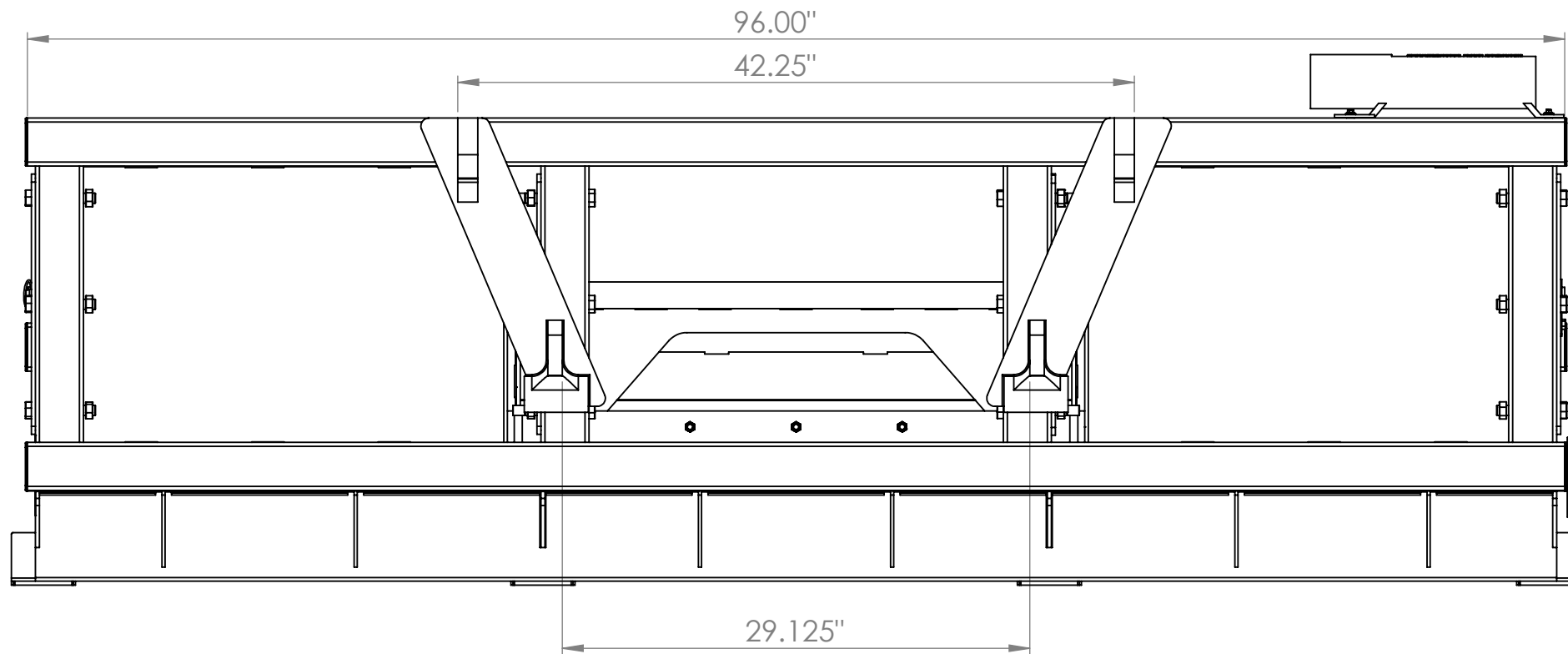


# Sokoke Mounting Bracket C

## Alo / Quicke / Euro / Global Coupler



**PROPRIETARY AND CONFIDENTIAL**  
THE INFORMATION CONTAINED IN THIS DRAWING IS THE SOLE PROPERTY OF BLUESTREAK EQUIPMENT. ANY REPRODUCTION IN PART OR AS A WHOLE WITHOUT THE WRITTEN PERMISSION OF BLUESTREAK EQUIPMENT IS PROHIBITED.

**UNLESS OTHERWISE SPECIFIED:**  
DIMENSIONS ARE IN INCHES  
TOLERANCES:  
FRACTIONAL: ±  
ANGULAR: MACH ± BEND ±  
TWO PLACE DECIMAL ±  
THREE PLACE DECIMAL ±

MATERIAL	NAME	DATE	COMMENTS:
FINISH	DRAWN		
	CHECKED		
	ENG APPR.		
DO NOT SCALE DRAWING	MFG APPR.		

**Bluestreakequipment** MAGNETICS  
APPLICATION DRIVEN DESIGN

TITLE:		
SIZE	DWG. NO.	REV
<b>B</b>	<b>Bracket C - Dimensions</b>	
SCALE: 1:20	WEIGHT:	SHEET 1 OF 1