

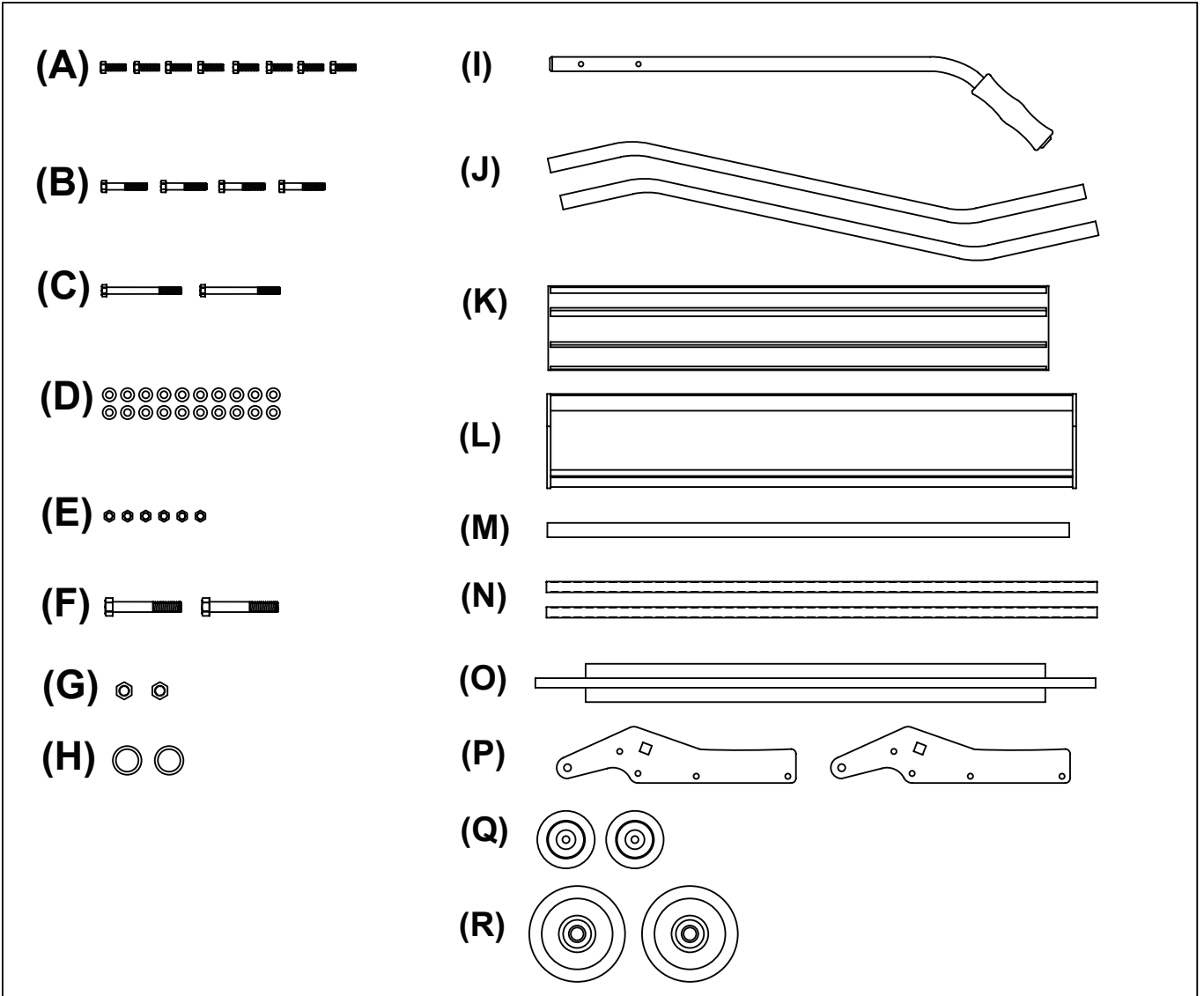
Assembly Instructions



Bluestreakequipment
The world's best magnetic cleaning equipment

Bluestreak Equipment
1645 Hwy #3, Delhi
Ontario, Canada
N4B2W6

What's in the box

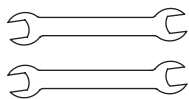


What's in the box -list of items

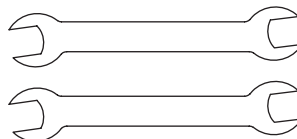
Item	Quantity	Description
(A)	8pcs	1/4" x 3/4" Hex Bolts
(B)	4pcs	1/4" x 1 1/2" Hex Bolts
(C)	2pcs	1/4" x 2 3/4" Hex Bolts
(D)	20pcs	1/4" Washers
(E)	6pcs	1/4" Nyloc Nuts
(F)	2pcs	3/8" x 2 1/2" Hex Bolts
(G)	2pcs	3/8" Nyloc Nuts
(H)	2pcs	Aluminum Wheel Spacers
(I)	1pc	Upper Y-Handle
(J)	2pcs	Lower Y-Handle Arms
(K)	1pc	Finned Plastic Drum
(L)	1pc	Debris Tray
(M)	1pc	Debris Tray Handle
(N)	2pcs	Plastic Sleeved Tray Supports
(O)	1pc	Magnet Assembly
(P)	2pcs	End Plates
(Q)	2pcs	3" Wheels
(R)	2pcs	5" Wheels

Tools needed

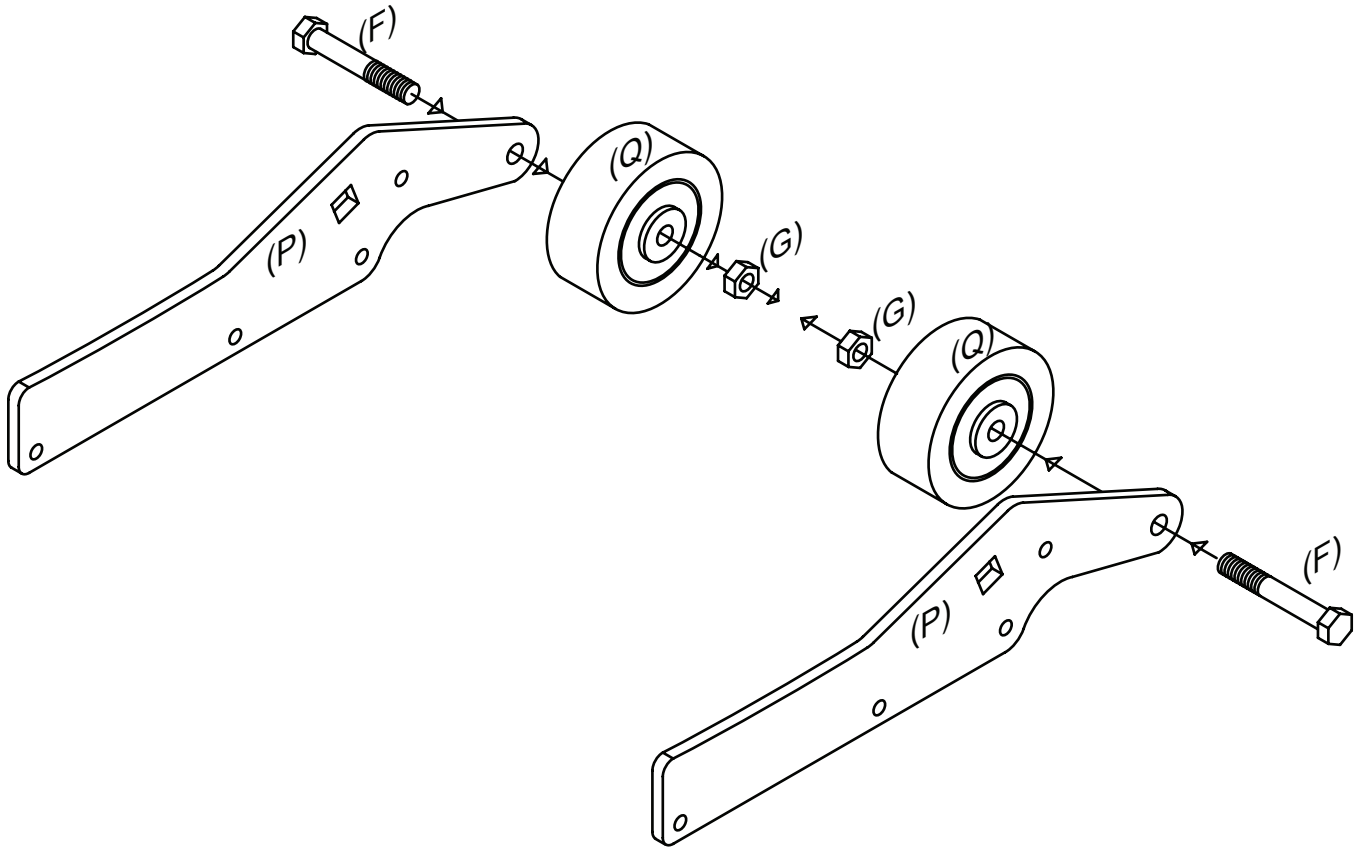
7/16 wrench - 2pcs



9/16" wrench - 2pcs



Step 1. Three inch wheel attachment



Step 1: Rear 3" Inch Wheel Assembly.

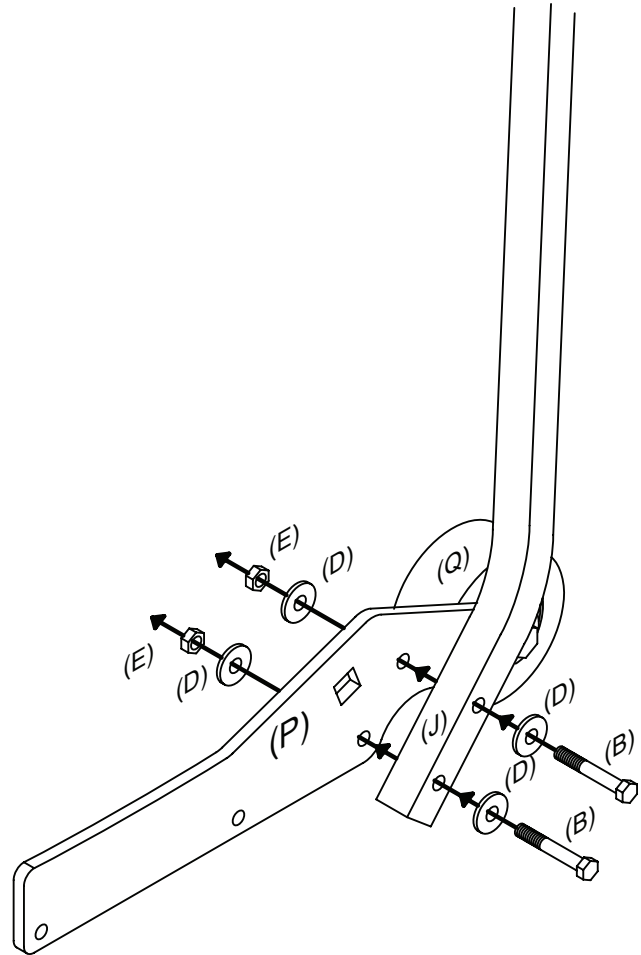
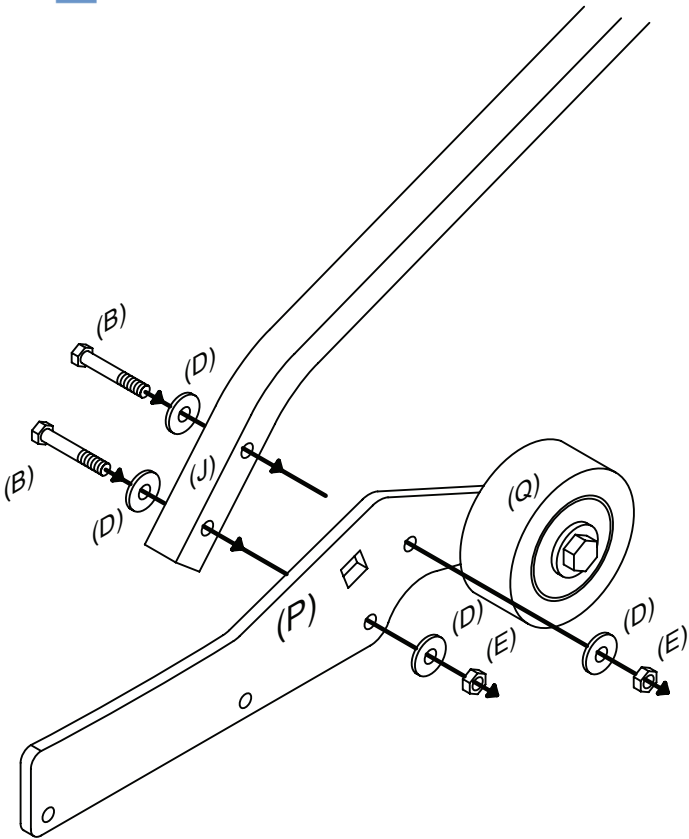
Insert 3/8" x 2 1/2" Hex Bolt (Item F) thru End Plate (Item P) thru 3" Wheel (Item Q) and fasten on a 3/8" Nyloc Nut (Item G).

Repeat for opposite side making both a right and left handed assembly.

Tighten bolts firmly using 2pcs 9/16" wrenches.



Step 2. Lower Y-handle arms assembly



(2) Lower Y-Handle Arms Assembly.

The Lower Y-Handle Arms (Item J) have different spacing between the holes on each end.

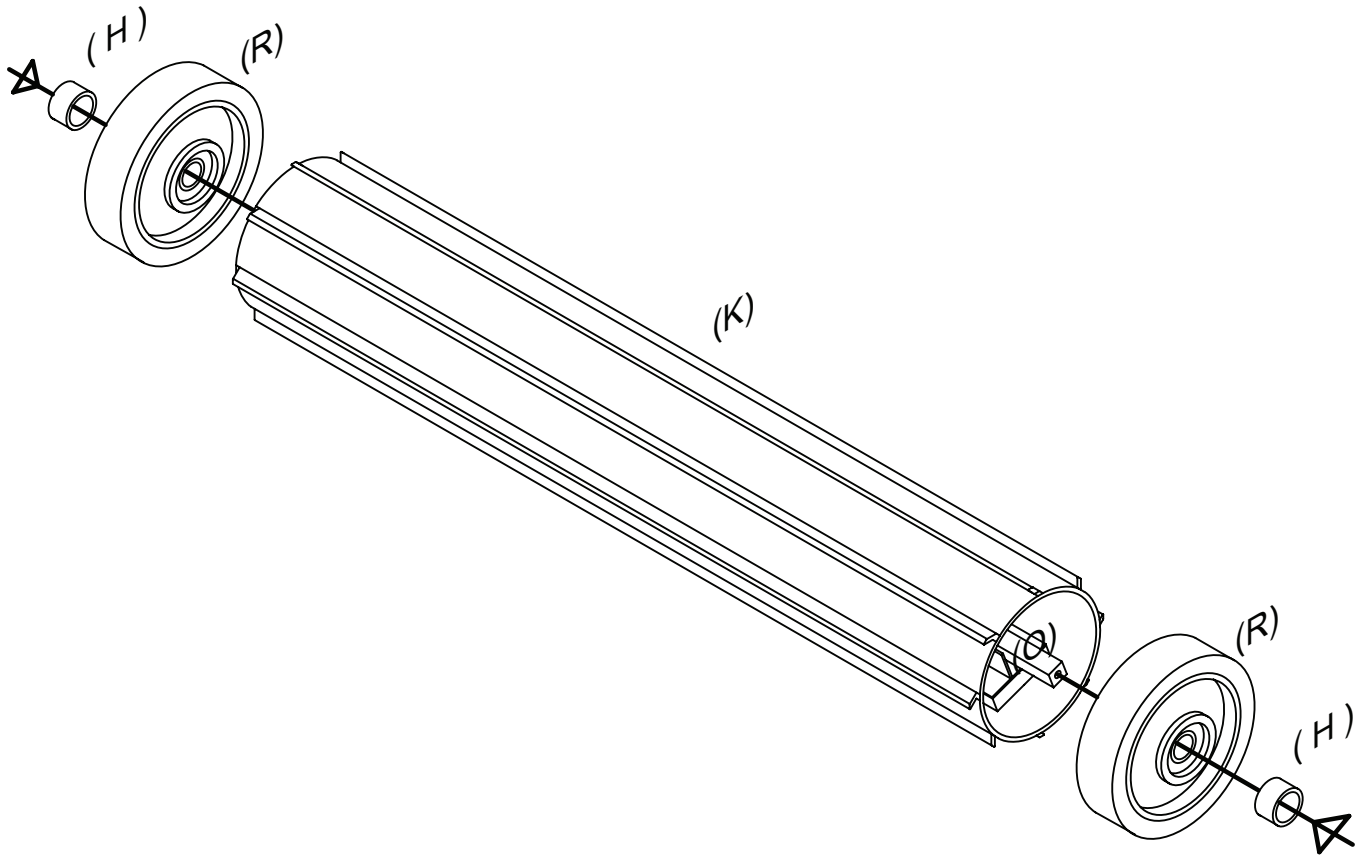
Attach the end of the Lower Y-Handle Arms (Item J) with the least distance between the holes to the End Plates (Item P) using 2pcs $\frac{1}{4}$ " x $1\frac{1}{2}$ " Hex Bolt (Item B) 4pcs $\frac{1}{4}$ " Washer (Item D) and 2pcs $\frac{1}{4}$ " Nyloc Nuts (Item E).

Repeat for opposite side to make both the left and right hand assembly.

Do not tighten these bolts until after step 6.



Step 3. Finned plastic drum assembly



(3) Finned Plastic Drum and Magnet Assembly

a) Insert the Magnet Assembly (Item O) into the Finned Plastic Drum (Item K).

Slide a 5" Wheel (Item R) on each side of the Magnet Assembly square axle shaft so that the Finned Plastic Drum will be pushed into the groove in the one side of the 5" Wheels (Item R).

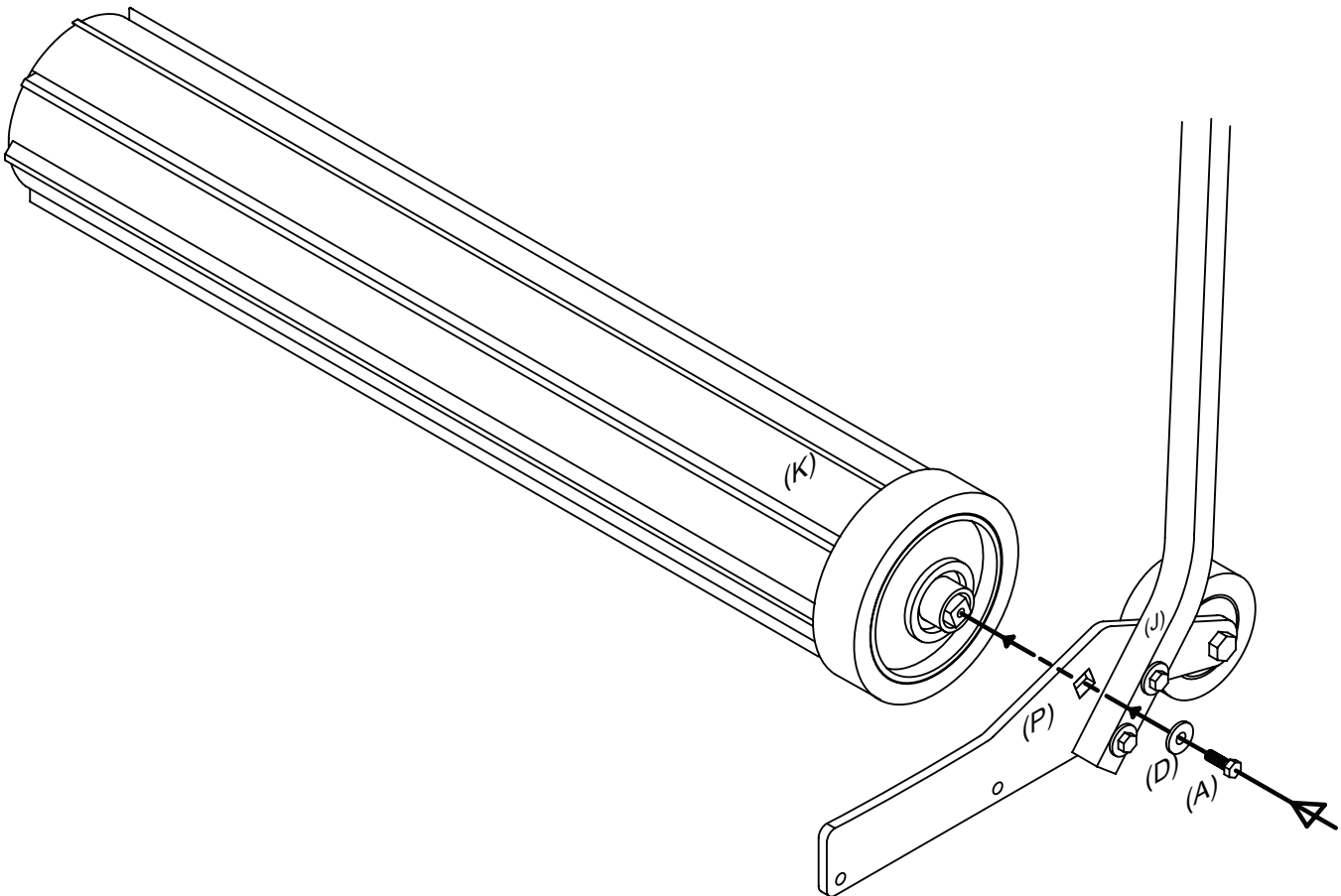
Then slide an Aluminum Wheel Spacer (Item H) on the each side of the Magnet Assembly square axle shaft.

“When the Plastic Drum is fully pushed into the groove in the wheels the ends of the fins will touch the rubber on the side of the wheels.”

“There will also be slightly less than a ¼” of the square axle sticking out beyond the Aluminum Wheel Spacers (Item H) on each side.”



Step 4a. Attach end plates



(4) End Plate Assembly

Note: Use the Magnet Assembly (Item O and Finned Plastic Drum (Item K) Assembly Diagram on the next page as a guide to ensure the Magnet Assembly (O) is in the correct position and the finned plastic drum is pointing the correct direction.

If the finned drum is on backwards or the magnet is not in the proper position this magnetic sweeper will not function.

Place the square hole in the End Plate Assembly (Item P) over the square axle shaft of the Magnet Assembly (Item O).

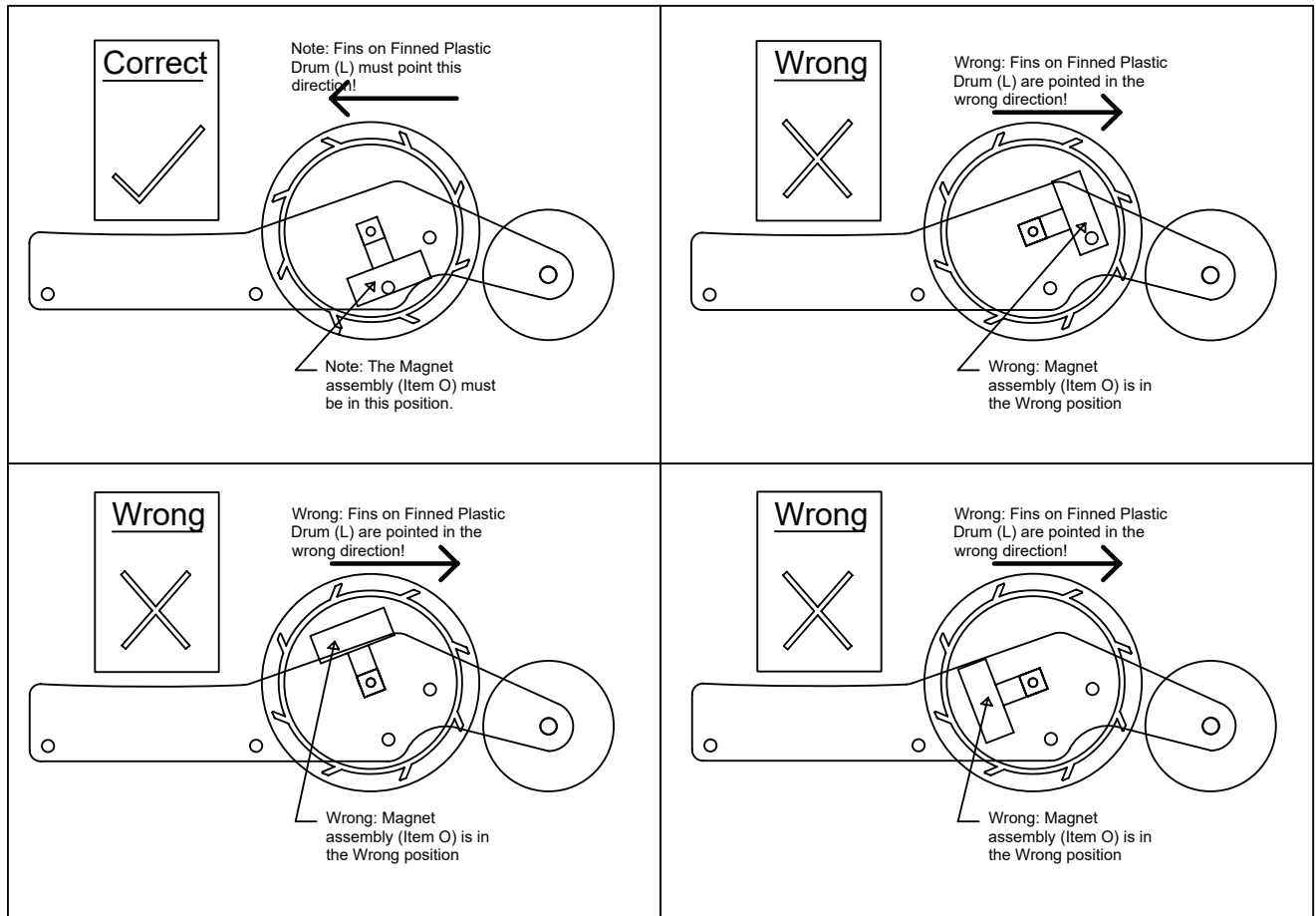
Attach using a $\frac{1}{4}$ " x $\frac{3}{4}$ " Hex bolt (Item A) and a $\frac{1}{4}$ " Washer (Item D). Repeat for opposite side.

Do not tighten these bolts until after step 6.

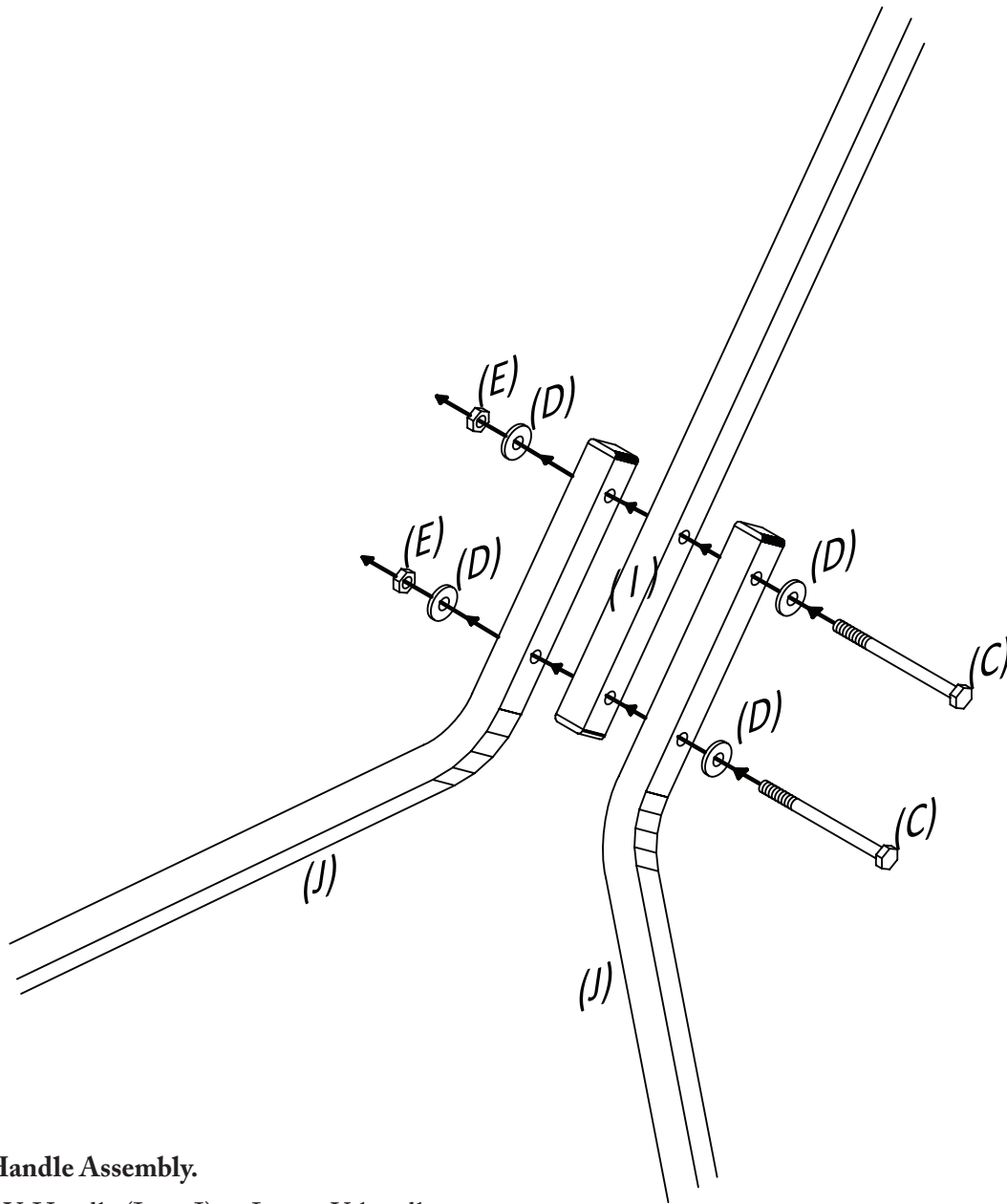


Step 4b. Magnet and finn assembly diagram

Magnet Assembly (Item O) and Finned Plastic Drum (Item K) Assembly Diagram



Step 5. Attach upper Y-handle to lower Y-handles



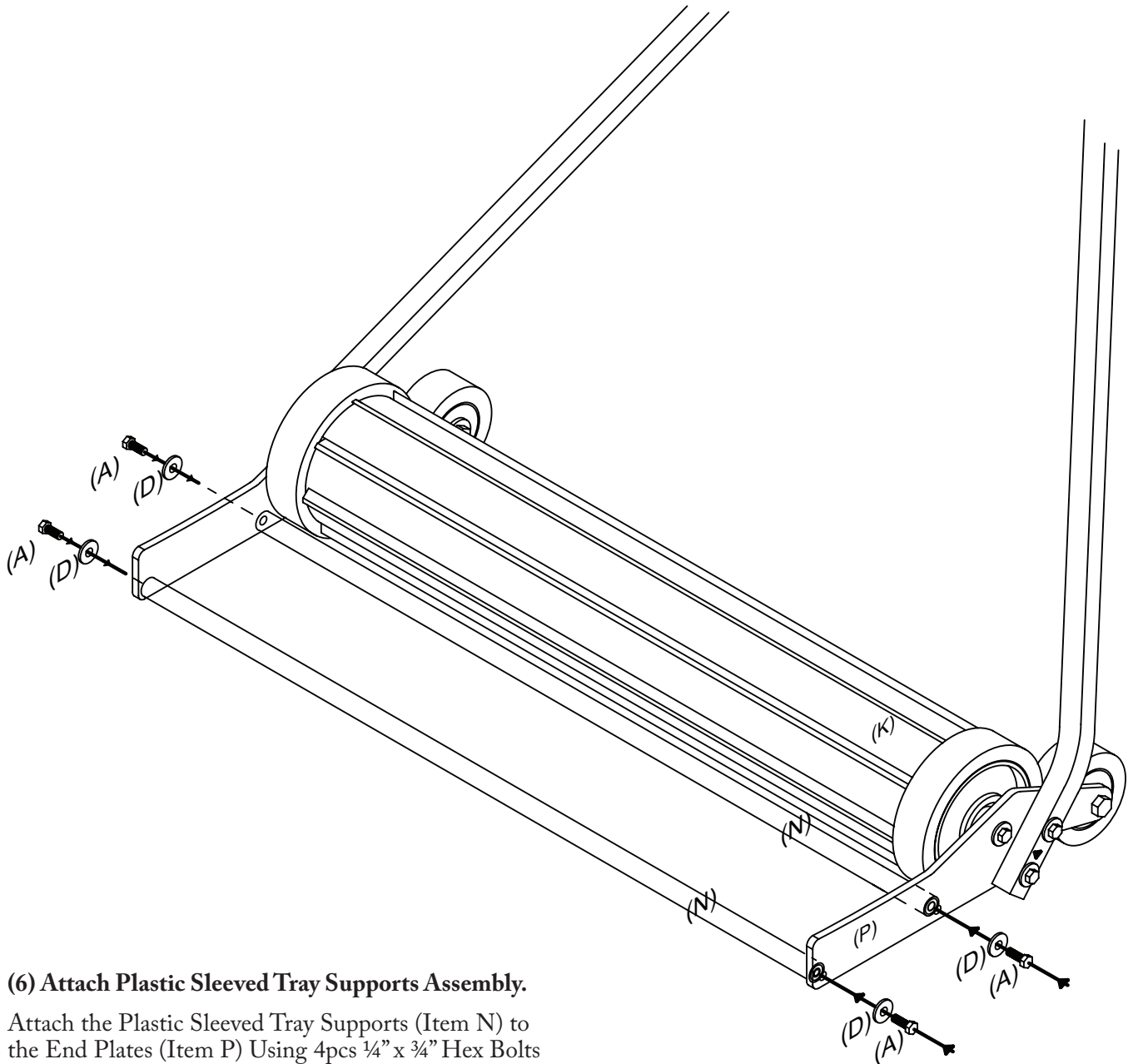
(5) Upper Y-Handle Assembly.

Attach Upper Y-Handle (Item I) to Lower Y-handle Arms (Item J) using 2pcs 2 $\frac{3}{4}$ " Hex Bolt (Item C), 4pcs $\frac{1}{4}$ " Washers (Item D), and 2pcs $\frac{1}{4}$ " Nyloc Nuts (Item E).

Do not tighten these bolts until after step 6.



Step 6. Attach plastic sleeved tray supports



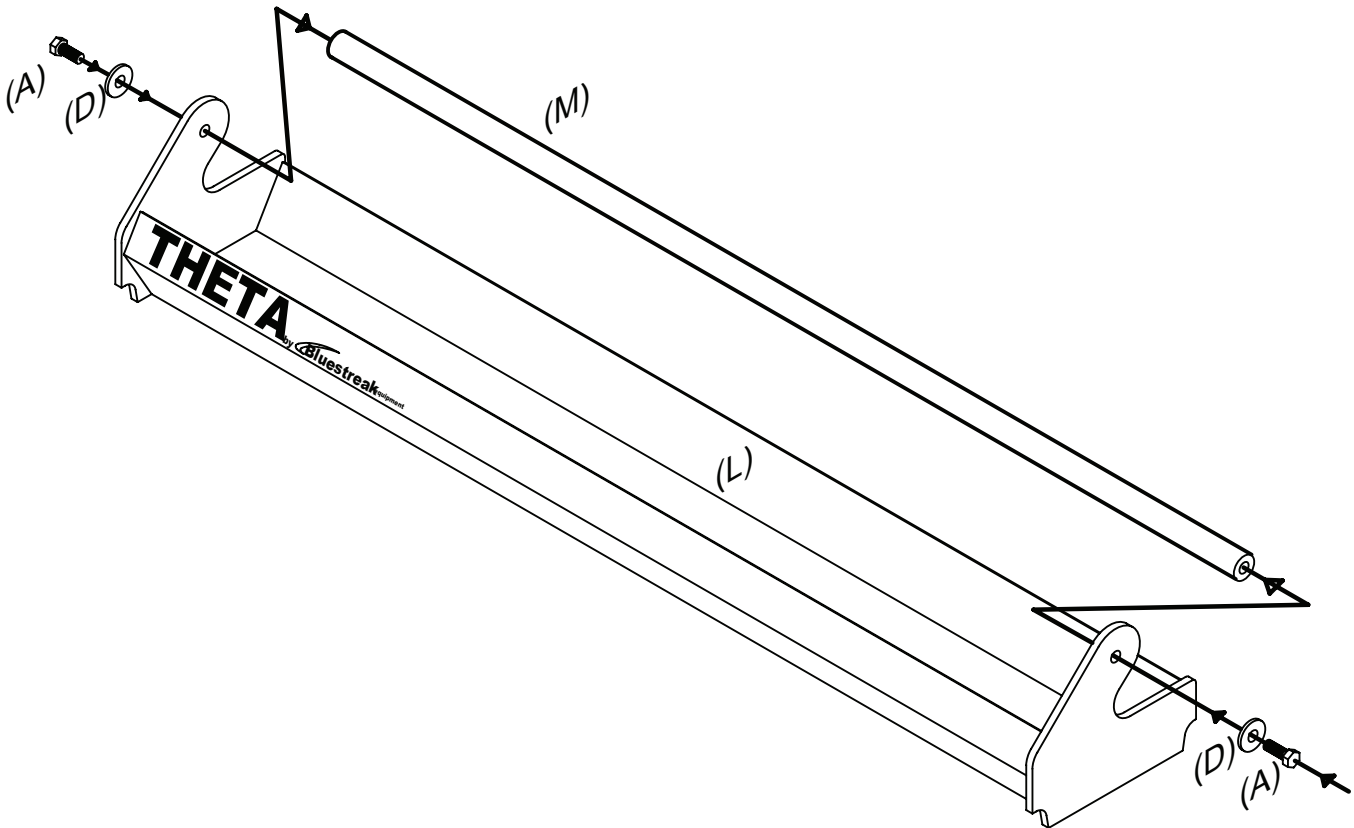
(6) Attach Plastic Sleeved Tray Supports Assembly.

Attach the Plastic Sleeved Tray Supports (Item N) to the End Plates (Item P) Using 4pcs $\frac{1}{4}$ " x $\frac{3}{4}$ " Hex Bolts (Item A) and 4pcs $\frac{1}{4}$ " washers (Item D).

Firmly tighten all $\frac{1}{4}$ " bolts in previous steps using $\frac{7}{16}$ " wrenches (12 fasteners total)



Step 7. Debris tray handle attachment



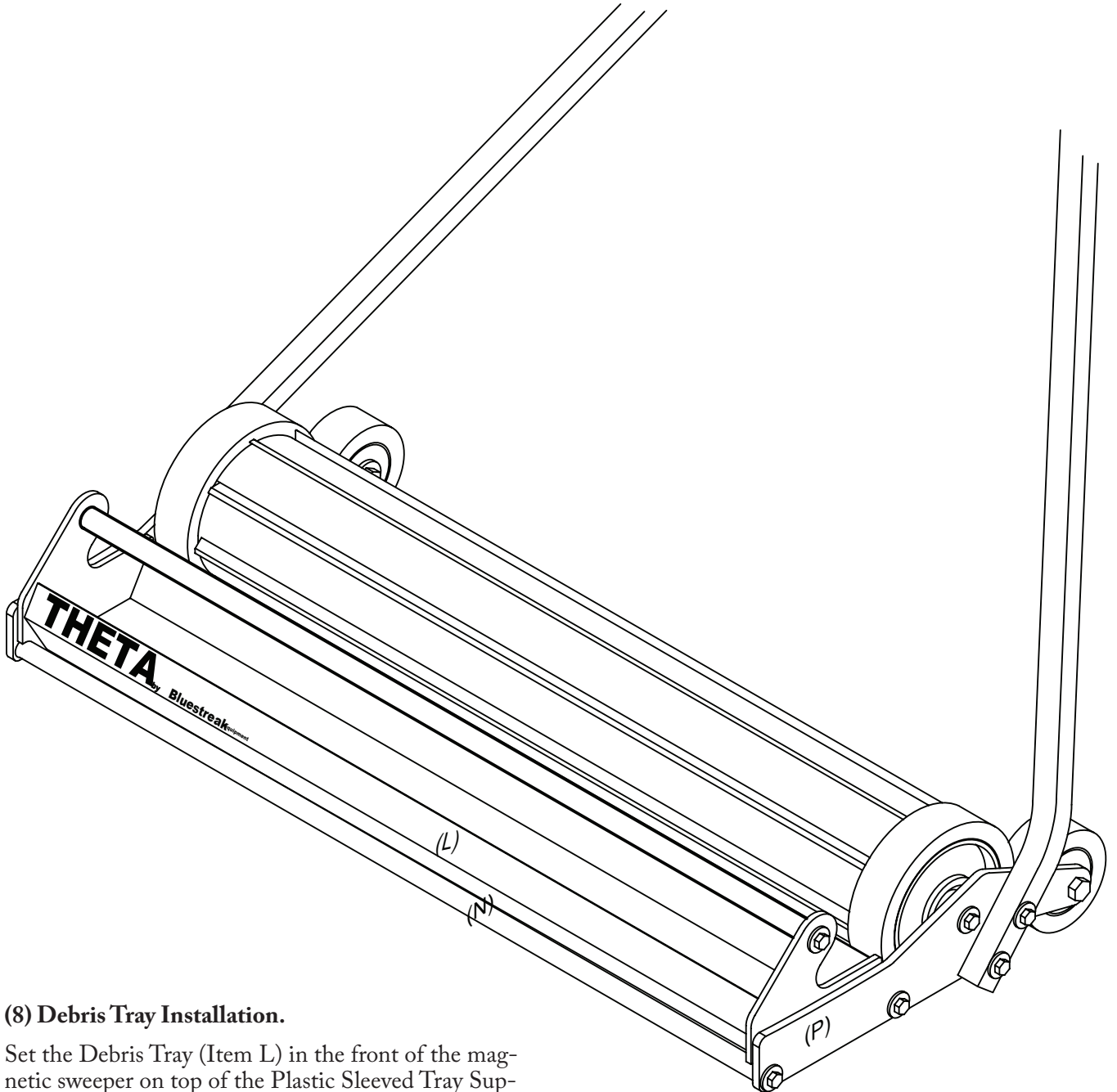
(7) Debris Tray Handle Assembly.

Attach the Debris Tray Handle (Item M) to the Debris Tray (Item L) using 2pcs $\frac{1}{4}$ " x $\frac{3}{4}$ " Hex Bolts (Item A) and 2pcs $\frac{1}{4}$ " Washers (Item E)

Tighten Bolts Firmly.



Step 8. Set debris tray in place



(8) Debris Tray Installation.

Set the Debris Tray (Item L) in the front of the magnetic sweeper on top of the Plastic Sleeved Tray Supports (Item N).

