

# BLUESTREAK EQUIPMENT SHUNT TRUCK MAGNETIC SWEEPER CATALOGUE

WRASSE • PYR • EIGER • ISO • KHAMSIN • AETHER • ALPHA

**Bluestreak**equipment MAGNETICS  
APPLICATION DRIVEN DESIGN



# BLUESTREAK SHUNT TRUCK MAGNETIC SWEEPER LINE

Bluestreak Equipment is proud to offer a comprehensive line of shunt truck magnetic sweepers that keep yards clear of metal debris while trucks go about their daily operations. Shipping yards can accumulate metal debris from trailer degradation, broken pallets, and material spills. By attaching a magnet to the front, middle, or rear of your shunt truck you can proactively prevent flats and therefore costly downtime. Bluestreak Magnets are purpose built to suit any terminals occupied by shunt trucks regardless of the power requirements or ground strike protection features needed.

Our magnets come permanently charged and all replacement parts are readily available for purchase with fast, next-day shipping. Brackets are also available to remove the guess work from mounting a magnet to the bumper of a shunt truck. Mounting to the front of a truck is the best option to keep equipment protected, as the magnet will catch incoming debris before it is run over, potentially causing damage.

Having a magnet mounted on your shunt truck ensures the constant cleaning of the areas where the most work (and most debris production) happens. Because the trucks generally lead trailers, the trailers remain protected by the Bluestreak magnet ahead of them, ensuring less damage to trailer tires and more efficiency in any logistics operations.

When compared to the annual cost of flat tires and the associated downtime costs of idle employees and delayed shipments, having a Bluestreak magnet is an obvious solution to proactively prevent damages.



### *Manufacturing In House*

All of our products are designed and manufactured on site at our facilities in Ontario, Canada.



### *Application Driven Design*

We have manufactured and developed application driven magnetic products since 2005.



### *Rural Roots*

Working from rural southern Ontario, our business has grown and now sprawls over several properties using former agricultural buildings.

## TABLE OF CONTENTS

Wrasse Hanging Magnet.....	3
PYR Hanging Magnet.....	5
EIGER Hanging Magnet.....	7
ISO Hanging Magnet.....	9
Khamsin Hanging Magnet.....	11
Aether Hanging Magnet.....	13
Alpha Hanging Magnet.....	15
Brackets For Bumper Mounting.....	17
Wrasse Specifications.....	20
PYR Specifications.....	23
EIGER Specifications.....	25
ISO Specifications.....	27
Khamsin Specifications.....	28
Aether Specifications.....	29
Alpha Specifications.....	30



# WRASSE HANGING MAGNET

The Wrasse magnetic bar is the most economical hanging magnet design option because you're paying for just a big magnet bar. Hang it underneath with the two included mounting chains and you're off and ready to go! The Wrasse comes in three different magnet strengths and different widths to suit your budget and needs.



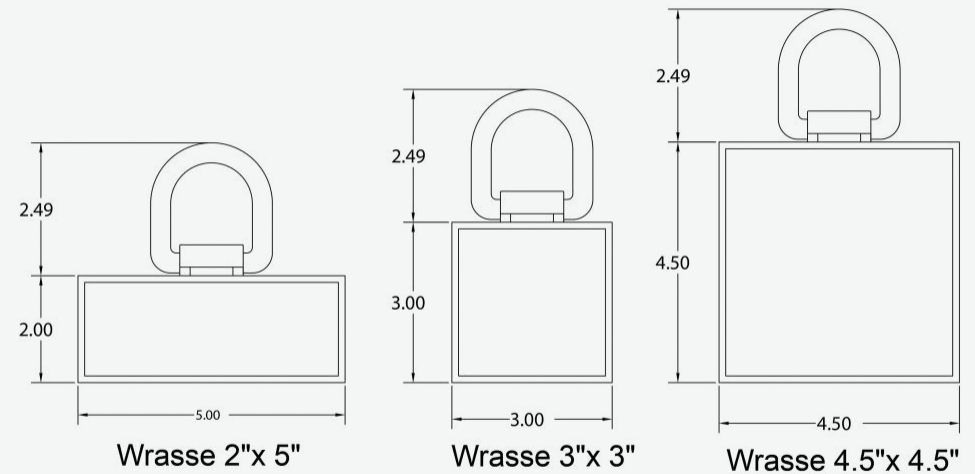
It's the most economical but you must be careful to ensure the magnet won't hit the ground. This usually causes people to mount them too high to be effective. It can, however, be a competent solution in flat even surface conditions.

Once you hang the Wrasse on a vehicle it will work continuously while you go about doing your other work so you don't pay for extra labor time and money to sweep up metal debris.



### Additional Features

- Packed end to end with permanently charged magnets (unspaced).
- Available in 7 sizes lengths from 2 to 8 feet.
- Comes standard with Hanging Kit to attach magnet bar to your equipment.
- No extra labour costs to provide a much safer, cleaner environment.
- Durable and long-lasting aluminum construction that won't rust if left outside.
- Optional Quick Clean Off Sleeve for the Wrasse (3"x3" and 4.5" x 4.5").
- Quicker and faster than other methods of picking up metal debris.



### Quick Clean Off Sleeve

Optional extruded PVC Quick Clean Off Sleeve for removing debris from the sweeper. Clean off the Wrasse while it is still in a hanging position underneath of your equipment.

- Speeds up removal of debris from your magnetic sweeper.
- Helps protect sweeper housing when hitting hard surfaces.
- Constructed out of durable PVC and molded to wrap around the magnetic housing.
- Locks in place and will not move when sweeper is in use.

Fits 3x3 & 4.5x4.5 sweepers in 26" – 98" lengths

# PYR HANGING MAGNET

The PYR hanging magnet was designed for flat terrain and “on road” type uses where not much ground strike prevention is needed. “On road” type bump wheels are provided on the ends to eliminate magnet strikes due to occasional potholes, incline ramps and speed bump type obstacles.



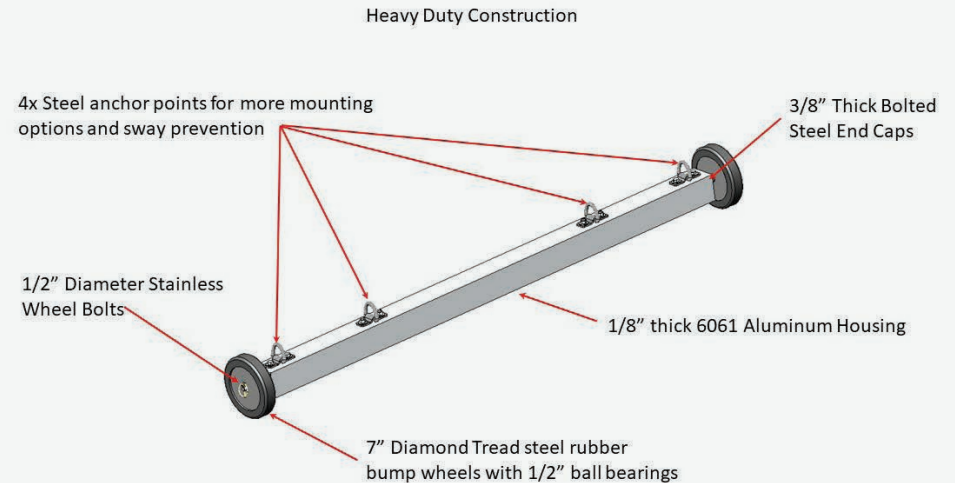
Choose from 2 different models with different magnet strengths, and 6 different magnet lengths from 3 to 8 feet, to get the perfect setup for your application.

Maximum lifting height of 6” inches (using a 2 ½ inch nail) for the PYR 3”x3” model, and 9 ¼” inches for the PYR 4.5”x4.5” model.

# FOR FLAT ASPHALT AND CONCRETE ROADS AND YARDS

## Additional Features

- Available in 6 different sweeping widths from 3 to 8 feet.
- Protective bump wheels on each end to make sure the magnet itself does not hit the ground.
- Packed end to end with permanently charged Grade C8 magnets (unspaced).
- Comes with 4 stabilizing chains and 8 quick clips to attach the magnet to your vehicle or equipment.
- Rugged durability and construction with 1/8" thick 6061 Aluminum housing that won't rust if left outside.
- Wrap Around Feature to hold onto debris.



## Quick Clean Off Sleeve

Optional extruded PVC Quick Clean Off Sleeve for removing debris from the sweeper. Clean off the PYR while it is still in a hanging position underneath of your equipment.

- Speeds up removal of debris from your magnetic sweeper.
- Helps protect sweeper housing when hitting hard surfaces.
- Constructed out of durable PVC and molded to wrap around the magnetic housing.
- Locks in place and will not move when sweeper is in use.

Fits 3x3 & 4.5x4.5 sweepers in 26" - 98" lengths



# EIGER HANGING MAGNET

The EIGER was designed for those slightly more off-road surfaces with more uneven surfaces such as dirt and gravel where potholes and bumps exist.

Designed with wide wheels to stay on top of those surfaces, and also designed with a greater minimum sweeping height of 2.5" inches to prevent the sweeper from hitting the ground.



Comes standard with black PVC Quick Clean Off Sleeve for easy debris removal, and 4 hanging chains with 8 quick clips to hang the EIGER from your vehicle.

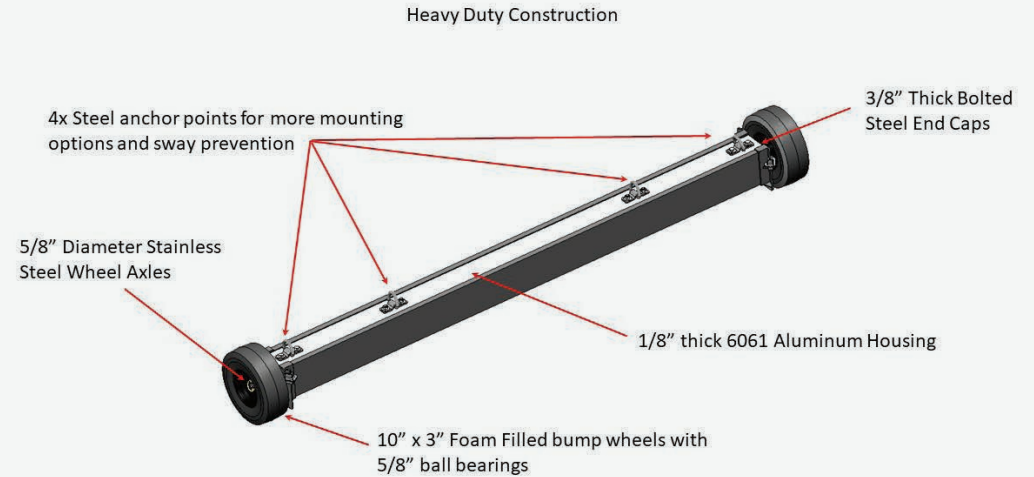
The Eiger foam filled bumper wheels with steel hubs and 5/8" ball bearings have a 100kg (220 lbs) capacity (each) and ensure a consistent height off the ground is maintained when sweeping. They also help ensure the magnet does not hit the ground in the event of a bump, pothole, uneven ground or a compression of the vehicle suspension.



# MADE FOR FRONT MOUNTING ON SHUNT AND YARD TRUCKS

## Additional Features

- The Eiger comes almost fully assembled and is easy to install and setup.
- Protective Bump wheels prevent the magnet from hitting the ground.
- Durable and Protective PVC Quick Clean Off Sleeve.
- Comes with 4 Stabilizing Chains.
- Available in 6 different sweeping widths.
- Permanently charged Grade C8 magnets.





# ISO HANGING MAGNET

An ISO magnetic sweeper is a hanging magnet specifically designed for ease of use. It allows you to leave the magnet permanently mounted, enabling you to lower and deploy the magnet for use when needed, and then easily raise and secure it when not needed or for transport between locations.

The ISO is designed with “bumper wheels” that keep the magnet off the ground if you hit a pothole or bump and multiple mounting points keep this magnet where it should be.



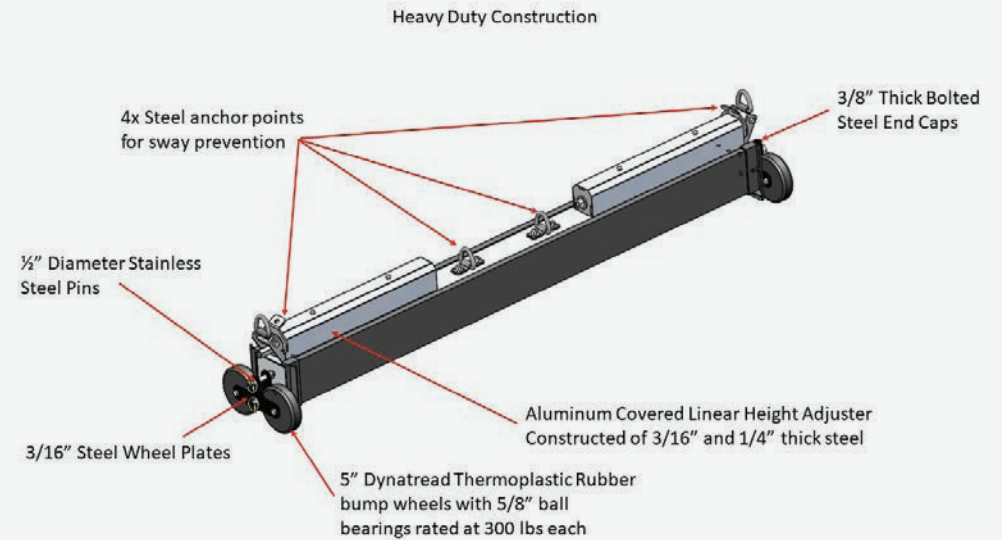
The ISO is unique because it is designed with Actuators on either end of the magnet that make moving the magnet up and down super quick and easy. By using a cordless drill inserted into the Actuators, operators can easily control the sweeper height, moving the sweeper to the chosen sweeping height or raising it to a road traveling height.



# HANGING MAGNET FOR EASE OF USE AND IMPROVED MOBILITY

## Additional Features

- Permanently charged Grade C8 magnets.
- Control the sweeping height to accommodate any situation.
- The ISO comes almost fully assembled and is easy to install and setup.
- Sweeping Height Adjustment Feature.
- Comes with 6 Stabilizing Chains.
- 5" Dynatread Thermoplastic Rubber Bumper Wheels with polypropylene hubs and 5/8 inch ball bearings rated at 300 lbs capacity each (2 on each end of the magnet).
- Available in 4 different sweeping widths.





# KHAM SIN HANGING MAGNET

The KHAM SIN hanging magnet was designed for more “off road” applications such as gravel, sand, and dirt roads and yards, or grass covered areas. Ideal for rural roads or gravel roadsides. Also, perfect for gravel parking lots and driveways.

The Khamsin design allows you to leave the magnet permanently mounted, enabling you to lower and deploy the magnet for use when needed, and then easily raise and secure it when not needed or for transport between locations.



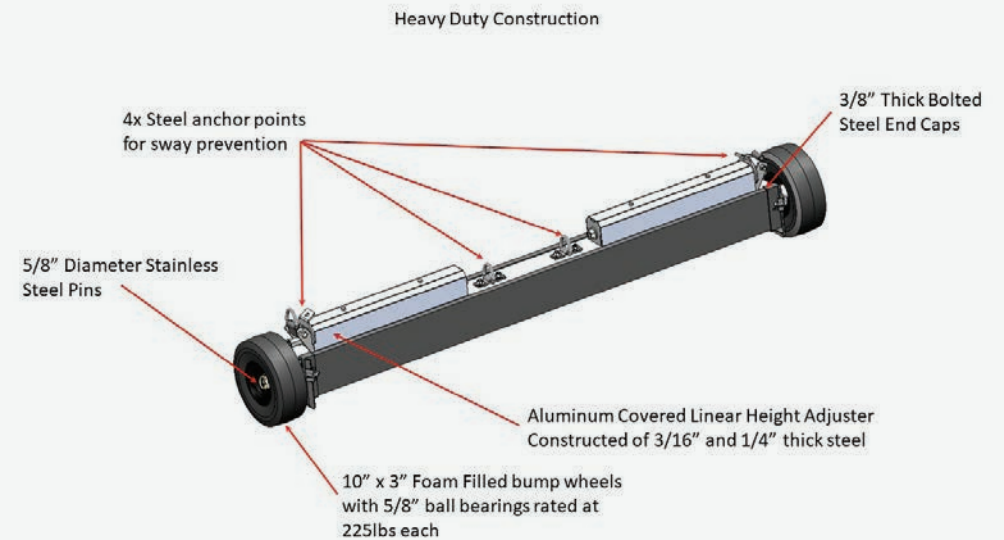
The KHAM SIN comes in 4 different sweeping widths (magnet bar lengths) of 62”, 74”, 86” and 98” to accommodate many different vehicle sizes. The KHAM SIN can be front, mid, or rear mounted on a variety of vehicles as long as enough clearance and space is present. We recommend front mounting a magnet sweeper when at all possible so you don’t run over the debris with your vehicle before picking it up.



# OFF ROAD HANGING MAGNET DESIGNED TO BE RAISED OR LOWERED, AS NEEDED

## *Additional Features*

- Comes with 6 stabilizing chains and 14 quick links to attach the magnet to your vehicle or equipment.
- Protective bump wheels on each end to make sure the magnet itself does not hit the ground.
- Available in 4 different sweeping widths of 5, 6, 7 or 8 feet.
- Quicker and faster than other methods of picking up metal debris.
- Wrap Around Feature to hold onto debris. The "Wrap Around" magnet design ensures debris never gets wiped off the bottom of the magnet.





# AETHER HANGING MAGNET

The AETHER magnetic sweeper was designed for those bumpy dirt and gravel yards at trucking terminals, warehouses and trailer yards. If you have a shunt truck working in areas where more ground strike prevention is needed to protect the magnet than the EIGER provides, the AETHER may just be the perfect amount of ground strike prevention, that allows you to operate worry free.



The 10" x 3" flat proof bump wheels on the ends prevent the magnet from hitting the ground and from sinking into loose surfaces, and the wheeled outriggers provide additional ground strike prevention in the middle of the magnet's overall length.

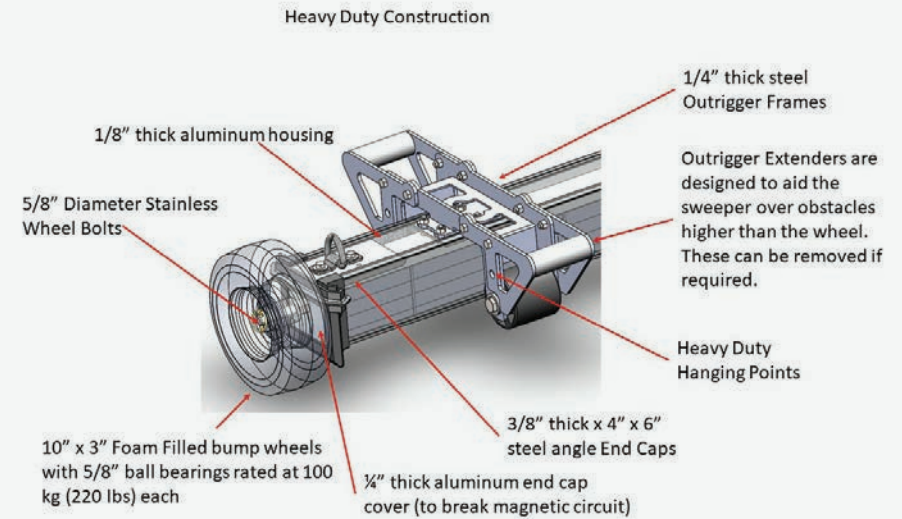
Both outriggers have a wheel on each side of the magnet. Those wheels are 4" x 4" in size and made of Polypropylene. The wheels extend down below the bottom of the Quick Clean Off Sleeve by 0.75" inches ensuring that the wheels hit the ground before the magnet does.



# FOR EXTRA GROUND STRIKE PROTECTION!

## Additional Features

- Permanently charged Grade C8 magnet.
- Durable and Protective PVC Quick Clean Off Sleeve.
- Rugged durability and construction.
- Available in 4 different sweeping widths.
- Wrap Around Feature to hold onto debris
- Comes with 6 stabilizing chains.
- Flat Proof 10" x 3" tires with 5/8" ball bearings, each with a 100kg (220lb) rating.





# ALPHA HANGING MAGNET

With outdoor rated IP65 12-volt DC actuators rated at 562 lbs each and 7.5" inches of up and down movement for remote controlled raising and lowering of magnet from raised travelling to lowered sweeping position.

Like the AETHER, the ALPHA was designed for those off-road dirt and gravel situations where more ground strike prevention is needed.



The 10" x 3" flat proof bump wheels on the ends prevent the magnet from hitting the ground and from sinking into loose surfaces, and the wheeled outriggers provide additional ground strike prevention in the middle of the magnet's overall length.

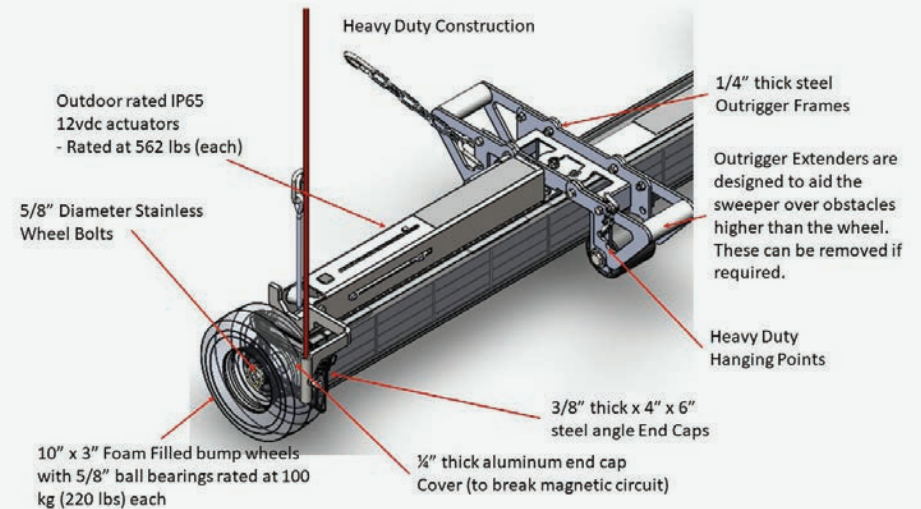
The Alpha is unique in our line of hanging magnets because of its remote controlled up and down feature. The Alpha lets you lower and deploy the magnet for sweeping operations from the cab of your vehicle and then when done sweeping for the moment the operator can raise the magnet for travelling.



# REMOTE CONTROLLED HEIGHT ADJUSTMENT WITHOUT LEAVING THE CAB OF YOUR VEHICLE!

## Additional Features

- Permanently charged Grade C8 magnet.
- Durable and Protective PVC Quick Clean Off Sleeve.
- Rugged durability and construction.
- Wrap Around Feature to hold onto debris in off road conditions.
- Flat Proof 10" x 3" tires with 5/8" ball bearings, each with a 100kg (220lb) rating.
- Outdoor rated IP65 12-volt DC actuators rated at 562 lbs each with 7.5" inches of up and down movement for remote controlled raising and lowering of magnet from raised travelling to lowered sweeping position.



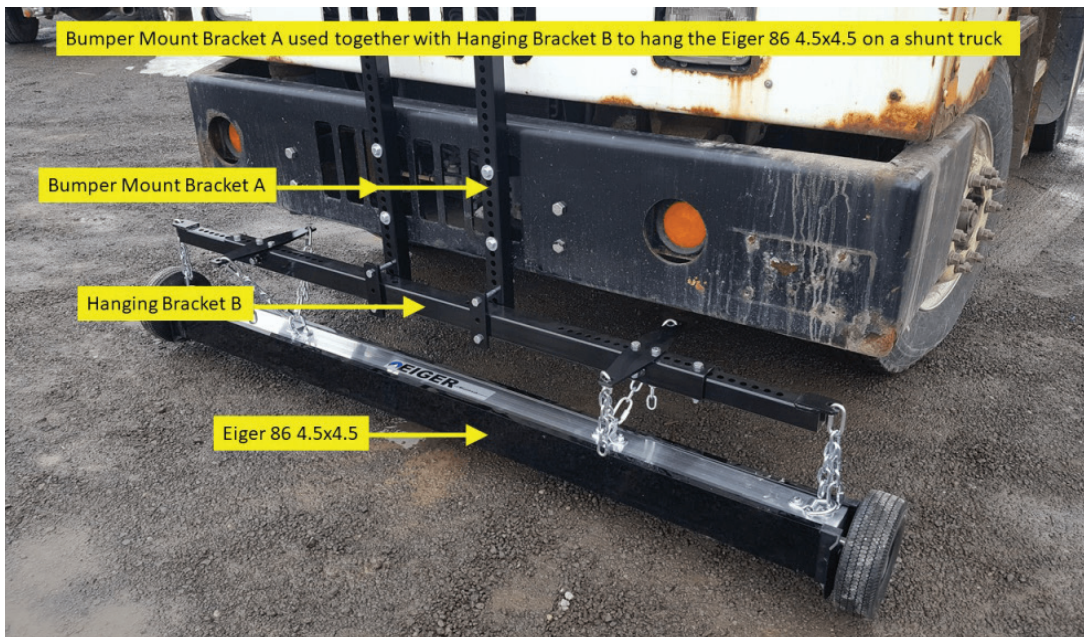




# BRACKETS FOR BUMPER MOUNTING

## Bumper Mounting Bracket A

This accessory is designed to be used in conjunction with one of the three hanging mounting brackets:





Hanging Bracket A



Hanging Bracket B



Hanging Bracket C

The 3 Hanging Brackets above, take the pain out of trying to hang a magnetic sweeper from the front or rear of a vehicle. See the following table to find which bracket you need for your sweeper.

	Hanging Bracket A	Hanging Bracket B	Hanging Bracket C
Wrasse 38" - 50" (2", 3" & 4.5")	✓		
PYR 38" - 50" (3" & 4.5")	✓		
Eiger 38" - 50" (3" & 4.5")	✓		
ISO 62"	✓		
Khamsin 62	✓		
Wrasse 62" - 98" (2", 3" & 4.5")		✓	
PYR 62" - 98" (3" & 4.5")		✓	
Eiger 62" - 98" (3" & 4.5")		✓	
ISO 74"- 98"		✓	
Khamsin 74"-98"		✓	
Aether 62"-98"			✓
Alpha 86"-98"			✓





# SHUNT TRUCK MAGNETIC SWEEPER CATALOGUE

## MAGNET SPECIFICATIONS



# WRASSE 2X5 SPECIFICATIONS

Wrasse Series™ (2" x 5")	Wrasse 26	Wrasse 38	Wrasse 50	Wrasse 62	Wrasse 74	Wrasse 86	Wrasse 98
<b>Sweeper Width</b>	26"	38"	50"	62"	74"	86"	98"
<b>Ground Clearance</b>	1" to 3" suspension	1" to 3" suspension	1" to 3" suspension	1" to 3" suspension	1" to 3" suspension	1" to 3" suspension	1" to 3" suspension
<b>Cleaning Method</b>	Wipe clean with glove or rag.	Wipe clean with glove or rag.	Wipe clean with glove or rag.	Wipe clean with glove or rag.	Wipe clean with glove or rag.	Wipe clean with glove or rag.	Wipe clean with glove or rag.
<b>Height Adjustability</b>	Change suspension height to a maximum of 3"	Change suspension height to a maximum of 3"	Change suspension height to a maximum of 3"	Change suspension height to a maximum of 3"	Change suspension height to a maximum of 3"	Change suspension height to a maximum of 3"	Change suspension height to a maximum of 3"
<b>Housing Construction</b>	Welded Aluminum 1/8" walls	Welded Aluminum 1/8" walls	Welded Aluminum 1/8" walls	Welded Aluminum 1/8" walls	Welded Aluminum 1/8" walls	Welded Aluminum 1/8" walls	Welded Aluminum 1/8" walls
<b>Wheels</b>	None	None	None	None	None	None	None
<b>Magnetic Surface Area</b>	96" (4" x 24")	144" (4" x 36")	192" (4" x 48")	240" (4" x 60")	288" (4" x 72")	336" (4" x 84")	384" (4" x 96")
<b>Maximum Lifting Height (using 2.5", 8 penny nails)</b>	4.75 inches	4.75 inches	4.75 inches	4.75 inches	4.75 inches	4.75 inches	4.75 inches
<b>Total Sweeper Weight</b>	24 lbs	35 lbs	47 lbs	58 lbs	70 lbs	81 lbs	93 lbs
<b>Total Shipping Weight</b>	26 lbs	38 lbs	50 lbs	62 lbs	74 lbs	86 lbs	98 lbs
<b>Shipping Dimensions</b>	28"L x 7"W x 4"H	40"L x 7"W x 4"H	52"L x 7"W x 4"H	64"L x 7"W x 4"H	76"L x 7"W x 4"H	88"L x 7"W x 4"H	100"L x 7"W x 4"H
<b>Accessories</b>	Wrasse Fork Pockets Comes standard with a <a href="#">2 Chain Hanging Kit</a> .	Wrasse Fork Pockets Comes standard with a <a href="#">2 Chain Hanging Kit</a> .	Wrasse Fork Pockets Comes standard with a <a href="#">2 Chain Hanging Kit</a> .	Wrasse Fork Pockets Comes standard with a <a href="#">2 Chain Hanging Kit</a> .	Wrasse Fork Pockets Comes standard with a <a href="#">2 Chain Hanging Kit</a> .	Wrasse Fork Pockets Comes standard with a <a href="#">2 Chain Hanging Kit</a> .	Wrasse Fork Pockets Comes standard with a <a href="#">2 Chain Hanging Kit</a> .
<b>Maintenance</b>	None	None	None	None	None	None	None
<b>SKU</b>	W26/2	W38/2	W50/2	W62/2	W74/2	W86/2	W98/2





# WRASSE 3X3 SPECIFICATIONS

Wrasse Series™ (3" x 3")	Wrasse 26	Wrasse 38	Wrasse 50	Wrasse 62	Wrasse 74	Wrasse 86	Wrasse 98
<b>Sweeper Width</b>	26"	38"	50"	62"	74"	86"	98"
<b>Ground Clearance</b>	1" to 4" suspension	1" to 4" suspension	1" to 4" suspension	1" to 4" suspension	1" to 4" suspension	1" to 4" suspension	1" to 4" suspension
<b>Cleaning Method</b>	Wipe clean with glove or rag. Optional <a href="#">Quick Clean Off Sleeve</a> available.	Wipe clean with glove or rag. Optional <a href="#">Quick Clean Off Sleeve</a> available.	Wipe clean with glove or rag. Optional <a href="#">Quick Clean Off Sleeve</a> available.	Wipe clean with glove or rag. Optional <a href="#">Quick Clean Off Sleeve</a> available.	Wipe clean with glove or rag. Optional <a href="#">Quick Clean Off Sleeve</a> available.	Wipe clean with glove or rag. Optional <a href="#">Quick Clean Off Sleeve</a> available.	Wipe clean with glove or rag. Optional <a href="#">Quick Clean Off Sleeve</a> available.
<b>Height Adjustability</b>	Change suspension height to a maximum of 4"	Change suspension height to a maximum of 4"	Change suspension height to a maximum of 4"	Change suspension height to a maximum of 4"	Change suspension height to a maximum of 4"	Change suspension height to a maximum of 4"	Change suspension height to a maximum of 4"
<b>Housing Construction</b>	Welded Aluminum 1/8" walls	Welded Aluminum 1/8" walls	Welded Aluminum 1/8" walls	Welded Aluminum 1/8" walls	Welded Aluminum 1/8" walls	Welded Aluminum 1/8" walls	Welded Aluminum 1/8" walls
<b>Wheels</b>	None	None	None	None	None	None	None
<b>Magnetic Surface Area</b>	60" (2.5" x 24")	90" (2.5" x 36")	120" (2.5" x 48")	150" (2.5" x 60")	180" (2.5" x 72")	210" (2.5" x 84")	240" (2.5" x 96")
<b>Maximum Lifting Height (using 2.5", 8 penny nails)</b>	6 inches	6 inches	6 inches	6 inches	6 inches	6 inches	6 inches
<b>Total Sweeper Weight</b>	28 lbs	40 lbs	53 lbs	65 lbs	77 lbs	89 lbs	102 lbs
<b>Total Shipping Weight</b>	28 lbs	41 lbs	56 lbs	71 lbs	84 lbs	92 lbs	105 lbs
<b>Shipping Dimensions</b>	29"L x 5"W x 5"H	41"L x 5"W x 5"H	53"L x 5"W x 5"H	65"L x 5"W x 5"H	77"L x 5"W x 5"H	89"L x 5"W x 5"H	101"L x 5"W x 5"H
<b>Accessories</b>	<a href="#">Wrasse Fork Pockets</a> Comes standard with a <a href="#">2 Chain Hanging Kit</a> .	<a href="#">Wrasse Fork Pockets</a> Comes standard with a <a href="#">2 Chain Hanging Kit</a> .	<a href="#">Wrasse Fork Pockets</a> Comes standard with a <a href="#">2 Chain Hanging Kit</a> .	<a href="#">Wrasse Fork Pockets</a> Comes standard with a <a href="#">2 Chain Hanging Kit</a> .	<a href="#">Wrasse Fork Pockets</a> Comes standard with a <a href="#">2 Chain Hanging Kit</a> .	<a href="#">Wrasse Fork Pockets</a> Comes standard with a <a href="#">2 Chain Hanging Kit</a> .	<a href="#">Wrasse Fork Pockets</a> Comes standard with a <a href="#">2 Chain Hanging Kit</a> .
<b>Maintenance</b>	None	None	None	None	None	None	None
<b>SKU</b>	W26/3	W38/3	W50/3	W62/3	W74/3	W86/3	W98/3



# WRASSE 4.5X4.5 SPECIFICATIONS

Wrasse Series™ (4.5" x 4.5")	Wrasse 26	Wrasse 38	Wrasse 50	Wrasse 62	Wrasse 74	Wrasse 86	Wrasse 98
<b>Sweeper Width</b>	26"	38"	50"	62"	74"	86"	98"
<b>Ground Clearance</b>	1" to 5" suspension	1" to 5" suspension	1" to 5" suspension	1" to 5" suspension	1" to 5" suspension	1" to 5" suspension	1" to 5" suspension
<b>Cleaning Method</b>	Wipe clean with glove or rag. Optional <a href="#">Quick Clean Off Sleeve</a> available.	Wipe clean with glove or rag. Optional <a href="#">Quick Clean Off Sleeve</a> available.	Wipe clean with glove or rag. Optional <a href="#">Quick Clean Off Sleeve</a> available.	Wipe clean with glove or rag. Optional <a href="#">Quick Clean Off Sleeve</a> available.	Wipe clean with glove or rag. Optional <a href="#">Quick Clean Off Sleeve</a> available.	Wipe clean with glove or rag. Optional <a href="#">Quick Clean Off Sleeve</a> available.	Wipe clean with glove or rag. Optional <a href="#">Quick Clean Off Sleeve</a> available.
<b>Height Adjustability</b>	Change suspension height to a maximum of 5"	Change suspension height to a maximum of 5"	Change suspension height to a maximum of 5"	Change suspension height to a maximum of 5"	Change suspension height to a maximum of 5"	Change suspension height to a maximum of 5"	Change suspension height to a maximum of 5"
<b>Housing Construction</b>	Welded Aluminum 1/8" walls	Welded Aluminum 1/8" walls	Welded Aluminum 1/8" walls	Welded Aluminum 1/8" walls	Welded Aluminum 1/8" walls	Welded Aluminum 1/8" walls	Welded Aluminum 1/8" walls
<b>Wheels</b>	None	None	None	None	None	None	None
<b>Magnetic Surface Area</b>	96" (4" x 24")	144" (4" x 36")	192" (4" x 48")	240" (4" x 60")	288" (4" x 72")	336" (4" x 84")	384" (4" x 96")
<b>Maximum Lifting Height (using 2.5", 8 penny nails)</b>	8.5 inches	8.5 inches	8.5 inches	8.5 inches	8.5 inches	8.5 inches	8.5 inches
<b>Total Sweeper Weight</b>	65 lbs	92.5 lbs	120 lbs	147.5 lbs	175 lbs	202.5 lbs	230 lbs
<b>Total Shipping Weight</b>	68 lbs	96.5 lbs	125.6 lbs	176.3 lbs	209.1 lbs	241.5 lbs	273.8 lbs
<b>Shipping Dimensions</b>	30"L x 7"W x 7"H	42"L x 7"W x 7"H	54"L x 7"W x 7"H	64"L x 10"W x 12"H	76"L x 10"W x 12"H	88"L x 10"W x 12"H	100"L x 10"W x 12"H
<b>Accessories</b>	<a href="#">Wrasse Fork Pockets</a> Comes standard with a <a href="#">2 Chain Hanging Kit</a> .	<a href="#">Wrasse Fork Pockets</a> Comes standard with a <a href="#">2 Chain Hanging Kit</a> .	<a href="#">Wrasse Fork Pockets</a> Comes standard with a <a href="#">2 Chain Hanging Kit</a> .	<a href="#">Wrasse Fork Pockets</a> Comes standard with a <a href="#">2 Chain Hanging Kit</a> .	<a href="#">Wrasse Fork Pockets</a> Comes standard with a <a href="#">2 Chain Hanging Kit</a> .	<a href="#">Wrasse Fork Pockets</a> Comes standard with a <a href="#">2 Chain Hanging Kit</a> .	<a href="#">Wrasse Fork Pockets</a> Comes standard with a <a href="#">2 Chain Hanging Kit</a> .
<b>Maintenance</b>	None	None	None	None	None	None	None
<b>SKU</b>	W26/4.5	W38/4.5	W50/4.5	W62/4.5	W74/4.5	W86/4.5	W98/4.5





# PYR 3X3 SPECIFICATIONS

PYR Series™ (3" x 3")	PYR 38	PYR 50	PYR 62	PYR 74	PYR 86	PYR 98
<b>Sweeper Width</b>	38"	50"	62"	74"	86"	98"
<b>Ground Clearance</b>	adjustable, with a minimum of 1.75" inches	adjustable, with a minimum of 1.75" inches	adjustable, with a minimum of 1.75" inches	adjustable, with a minimum of 1.75" inches	adjustable, with a minimum of 1.75" inches	adjustable, with a minimum of 1.75" inches
<b>Cleaning Method</b>	Wipe clean with glove or rag. Optional <b>Quick Clean Off Sleeve</b> available.	Wipe clean with glove or rag. Optional <b>Quick Clean Off Sleeve</b> available.	Wipe clean with glove or rag. Optional <b>Quick Clean Off Sleeve</b> available.	Wipe clean with glove or rag. Optional <b>Quick Clean Off Sleeve</b> available.	Wipe clean with glove or rag. Optional <b>Quick Clean Off Sleeve</b> available.	Wipe clean with glove or rag. Optional <b>Quick Clean Off Sleeve</b> available.
<b>Sweeping Height Adjustability</b>	Yes, 1.75" minimum, 2.25" recommended, 3" maximum	Yes, 1.75" minimum, 2.25" recommended, 3" maximum	Yes, 1.75" minimum, 2.25" recommended, 3" maximum	Yes, 1.75" minimum, 2.25" recommended, 3" maximum	Yes, 1.75" minimum, 2.25" recommended, 3" maximum	Yes, 1.75" minimum, 2.25" recommended, 3" maximum
<b>Magnet Type</b>	Ceramic 8	Ceramic 8	Ceramic 8	Ceramic 8	Ceramic 8	Ceramic 8
<b>Housing Construction</b>	1/8" thick 6061 Aluminum	1/8" thick 6061 Aluminum	1/8" thick 6061 Aluminum	1/8" thick 6061 Aluminum	1/8" thick 6061 Aluminum	1/8" thick 6061 Aluminum
<b>Wheels</b>	7" diamond tread lawnmower wheels with steel hubs and 1/2 inch ball bearings.	7" diamond tread lawnmower wheels with steel hubs and 1/2 inch ball bearings.	7" diamond tread lawnmower wheels with steel hubs and 1/2 inch ball bearings.	7" diamond tread lawnmower wheels with steel hubs and 1/2 inch ball bearings.	7" diamond tread lawnmower wheels with steel hubs and 1/2 inch ball bearings.	7" diamond tread lawnmower wheels with steel hubs and 1/2 inch ball bearings.
<b>Maximum Lifting Height (using a 2.5 inch nail)</b>	6" inches	6" inches	6" inches	6" inches	6" inches	6" inches
<b>Total Sweeper Weight</b>	42 lbs	54 lbs	66 lbs	79 lbs	91 lbs	103
<b>Total Shipping Weight</b>	52 lbs	68 lbs	82 lbs	85 lbs	103 lbs	116
<b>Maintenance</b>	None	None	None	None	None	None
<b>Included Accessories</b>	Comes standard with 4 stabilizing chains and 8 quick clips	Comes standard with 4 stabilizing chains and 8 quick clips	Comes standard with 4 stabilizing chains and 8 quick clips	Comes standard with 4 stabilizing chains and 8 quick clips	Comes standard with 4 stabilizing chains and 8 quick clips	Comes standard with 4 stabilizing chains and 8 quick clips
<b>SKU</b>	PY38/3	PY50/3	PY62/3	PY74/3	PY86/3	PY98/3

# 

PYR Series™ (4.5" x 4.5")	PYR 38	PYR 50	PYR 62	PYR 74	PYR 86	PYR 98
<b>Sweeper Width</b>	38"	50"	62"	74"	86"	98"
<b>Ground Clearance</b>	adjustable, with a minimum of 1.875" inches	adjustable, with a minimum of 1.875" inches	adjustable, with a minimum of 1.875" inches	adjustable, with a minimum of 1.875" inches	adjustable, with a minimum of 1.875" inches	adjustable, with a minimum of 1.875" inches
<b>Cleaning Method</b>	Wipe clean with glove or rag. Optional <a href="#">Quick Clean Off Sleeve</a> available.	Wipe clean with glove or rag. Optional <a href="#">Quick Clean Off Sleeve</a> available.	Wipe clean with glove or rag. Optional <a href="#">Quick Clean Off Sleeve</a> available.	Wipe clean with glove or rag. Optional <a href="#">Quick Clean Off Sleeve</a> available.	Wipe clean with glove or rag. Optional <a href="#">Quick Clean Off Sleeve</a> available.	Wipe clean with glove or rag. Optional <a href="#">Quick Clean Off Sleeve</a> available.
<b>Sweeping Height Adjustability</b>	Yes, 1.875" minimum, 2.375" recommended, 5" maximum	Yes, 1.875" minimum, 2.375" recommended, 5" maximum	Yes, 1.875" minimum, 2.375" recommended, 5" maximum	Yes, 1.875" minimum, 2.375" recommended, 5" maximum	Yes, 1.875" minimum, 2.375" recommended, 5" maximum	Yes, 1.875" minimum, 2.375" recommended, 5" maximum
<b>Magnet Type</b>	Ceramic 8	Ceramic 8	Ceramic 8	Ceramic 8	Ceramic 8	Ceramic 8
<b>Housing Construction</b>	1/8" thick 6061 Aluminum	1/8" thick 6061 Aluminum	1/8" thick 6061 Aluminum	1/8" thick 6061 Aluminum	1/8" thick 6061 Aluminum	1/8" thick 6061 Aluminum
<b>Wheels</b>	5" Dynatread Thermoplastic Rubber Wheels with Polypropylene Hubs and 5/8 inch ball bearings (300 lbs capacity each)	5" Dynatread Thermoplastic Rubber Wheels with Polypropylene Hubs and 5/8 inch ball bearings (300 lbs capacity each)	5" Dynatread Thermoplastic Rubber Wheels with Polypropylene Hubs and 5/8 inch ball bearings (300 lbs capacity each)	5" Dynatread Thermoplastic Rubber Wheels with Polypropylene Hubs and 5/8 inch ball bearings (300 lbs capacity each)	5" Dynatread Thermoplastic Rubber Wheels with Polypropylene Hubs and 5/8 inch ball bearings (300 lbs capacity each)	5" Dynatread Thermoplastic Rubber Wheels with Polypropylene Hubs and 5/8 inch ball bearings (300 lbs capacity each)
<b>Maximum Lifting Height (using a 2.5 inch nail)</b>	9 ¼" inches	9 ¼" inches	9 ¼" inches	9 ¼" inches	9 ¼" inches	9 ¼" inches
<b>Total Sweeper Weight</b>	126	160	193	227	260	293
<b>Total Shipping Weight</b>	140	175	210	244	278	312
<b>Maintenance</b>	None	None	None	None	None	None
<b>Included Accessories</b>	Comes standard with 4 stabilizing chains and 8 quick clips	Comes standard with 4 stabilizing chains and 8 quick clips	Comes standard with 4 stabilizing chains and 8 quick clips	Comes standard with 4 stabilizing chains and 8 quick clips	Comes standard with 4 stabilizing chains and 8 quick clips	Comes standard with 4 stabilizing chains and 8 quick clips
<b>SKU</b>	PY38/4.5	PY50/4.5	PY62/4.5	PY74/4.5	PY86/4.5	PY98/4.5





# EIGER 3X3 SPECIFICATIONS

Eiger Series™ (3" x 3")	Eiger 38 (3" x 3")	Eiger 50 (3" x 3")	Eiger 62 (3" x 3")	Eiger 74 (3" x 3")	Eiger 86 (3" x 3")	Eiger 98 (3" x 3")
<b>SKU</b>	EG38/3	EG50/3	EG62/3	EG74/3	EG86/3	EG98/3
<b>Sweeper Width</b>	38"	50"	62"	74"	86"	98"
<b>Ground Clearance</b>	Adjustable, with a minimum of 1.75 inches	Adjustable, with a minimum of 1.75 inches	Adjustable, with a minimum of 1.75 inches	Adjustable, with a minimum of 1.75 inches	Adjustable, with a minimum of 1.75 inches	Adjustable, with a minimum of 1.75 inches
<b>Cleaning Method</b>	Quick Clean Off Sleeve comes standard	Quick Clean Off Sleeve comes standard	Quick Clean Off Sleeve comes standard	Quick Clean Off Sleeve comes standard	Quick Clean Off Sleeve comes standard	Quick Clean Off Sleeve comes standard
<b>Sweeping Height Adjustability</b>	Yes – by changing mounting height	Yes – by changing mounting height	Yes – by changing mounting height	Yes – by changing mounting height	Yes – by changing mounting height	Yes – by changing mounting height
<b>Maximum Lifting Height (using a 2.5 inch nail)</b>	5.75" inches	5.75" inches	5.75" inches	5.75" inches	5.75" inches	5.75" inches
<b>Housing Construction</b>	Aluminum	Aluminum	Aluminum	Aluminum	Aluminum	Aluminum
<b>Wheels</b>	8" x 2.5" foam filled flat proof wheels with Steel hubs and 5/8 inch ball bearings rated at 136kg (300 lbs) capacity each	8" x 2.5" foam filled flat proof wheels with Steel hubs and 5/8 inch ball bearings rated at 136kg (300 lbs) capacity each	8" x 2.5" foam filled flat proof wheels with Steel hubs and 5/8 inch ball bearings rated at 136kg (300 lbs) capacity each	8" x 2.5" foam filled flat proof wheels with Steel hubs and 5/8 inch ball bearings rated at 136kg (300 lbs) capacity each	8" x 2.5" foam filled flat proof wheels with Steel hubs and 5/8 inch ball bearings rated at 136kg (300 lbs) capacity each	8" x 2.5" foam filled flat proof wheels with Steel hubs and 5/8 inch ball bearings rated at 136kg (300 lbs) capacity each
<b>Maintenance</b>	None	None	None	None	None	None
<b>Included Accessories</b>	Comes standard with 4 12 inch hanging chains, 8 quick clips, and Quick Clean Off Sleeve	Comes standard with 4 12 inch hanging chains, 8 quick clips, and Quick Clean Off Sleeve	Comes standard with 4 12 inch hanging chains, 8 quick clips, and Quick Clean Off Sleeve	Comes standard with 4 12 inch hanging chains, 8 quick clips, and Quick Clean Off Sleeve	Comes standard with 4 12 inch hanging chains, 8 quick clips, and Quick Clean Off Sleeve	Comes standard with 4 12 inch hanging chains, 8 quick clips, and Quick Clean Off Sleeve
<b>Optional Accessories</b>	Two Chain Hanging Kit Four Chain Hanging Kit	Two Chain Hanging Kit Four Chain Hanging Kit	Two Chain Hanging Kit Four Chain Hanging Kit	Two Chain Hanging Kit Four Chain Hanging Kit	Two Chain Hanging Kit Four Chain Hanging Kit	Two Chain Hanging Kit Four Chain Hanging Kit
<b>Total Sweeper Weight</b>	55 lbs	69 lbs	83 lbs	97 lbs	112 lbs	126 lbs
<b>Total Shipping Weight</b>	60.5 lbs	75.6 lbs	90.2 lbs	105.3 lbs	120.3 lbs	135.9 lbs
<b>Shipping Dimensions</b>						
<b>Box 1</b>	41"L x 5"W x 5"H	53"L x 5"W x 5"H	65"L x 5"W x 5"H	77"L x 5"W x 5"H	89"L x 5"W x 5"H	101"L x 5"W x 5"H
<b>Box 2</b>	11"L x 11"W x 7"H	11"L x 11"W x 7"H	11"L x 11"W x 7"H	11"L x 11"W x 7"H	11"L x 11"W x 7"H	11"L x 11"W x 7"H
<b>Box 3</b>	49"L x 7"W x 7"H	53"L x 7"W x 7"H	65"L x 7"W x 7"H	77"L x 7"W x 7"H	89"L x 7"W x 7"H	101"L x 7"W x 7"H



# EIGER 4.5X4.5 SPECIFICATIONS

Eiger Series™ (4.5" x 4.5")	Eiger 38 (4.5" x 4.5")	Eiger 50 (4.5" x 4.5")	Eiger 62 (4.5" x 4.5")	Eiger 74 (4.5" x 4.5")	Eiger 86 (4.5" x 4.5")	Eiger 98 (4.5" x 4.5")
<b>SKU</b>	EG38/4.5	EG50/4.5	EG62/4.5	EG74/4.5	EG86/4.5	EG98/4.5
<b>Sweeper Width</b>	38"	50"	62"	74"	86"	98"
<b>Ground Clearance</b>	Adjustable, with a minimum of 2.5 inches	Adjustable, with a minimum of 2.5 inches	Adjustable, with a minimum of 2.5 inches	Adjustable, with a minimum of 2.5 inches	Adjustable, with a minimum of 2.5 inches	Adjustable, with a minimum of 2.5 inches
<b>Cleaning Method</b>	Quick Clean Off Sleeve comes standard	Quick Clean Off Sleeve comes standard	Quick Clean Off Sleeve comes standard	Quick Clean Off Sleeve comes standard	Quick Clean Off Sleeve comes standard	Quick Clean Off Sleeve comes standard
<b>Sweeping Height Adjustability</b>	Yes – by changing mounting height	Yes – by changing mounting height	Yes – by changing mounting height	Yes – by changing mounting height	Yes – by changing mounting height	Yes – by changing mounting height
<b>Maximum Lifting Height (using a 2.5 inch nail)</b>	9.25" inches	9.25" inches	9.25" inches	9.25" inches	9.25" inches	9.25" inches
<b>Housing Construction</b>	Aluminum	Aluminum	Aluminum	Aluminum	Aluminum	Aluminum
<b>Wheels</b>	10" x 3" foam filled flat proof wheels with Steel hubs and 5/8 inch ball bearings rated at 100kg (220 lbs) capacity each	10" x 3" foam filled flat proof wheels with Steel hubs and 5/8 inch ball bearings rated at 100kg (220 lbs) capacity each	10" x 3" foam filled flat proof wheels with Steel hubs and 5/8 inch ball bearings rated at 100kg (220 lbs) capacity each	10" x 3" foam filled flat proof wheels with Steel hubs and 5/8 inch ball bearings rated at 100kg (220 lbs) capacity each	10" x 3" foam filled flat proof wheels with Steel hubs and 5/8 inch ball bearings rated at 100kg (220 lbs) capacity each	10" x 3" foam filled flat proof wheels with Steel hubs and 5/8 inch ball bearings rated at 100kg (220 lbs) capacity each
<b>Maintenance</b>	None	None	None	None	None	None
<b>Included Accessories</b>	Comes standard with 4 12 inch hanging chains, 8 quick clips, and Quick Clean Off Sleeve	Comes standard with 4 12 inch hanging chains, 8 quick clips, and Quick Clean Off Sleeve	Comes standard with 4 12 inch hanging chains, 8 quick clips, and Quick Clean Off Sleeve	Comes standard with 4 12 inch hanging chains, 8 quick clips, and Quick Clean Off Sleeve	Comes standard with 4 12 inch hanging chains, 8 quick clips, and Quick Clean Off Sleeve	Comes standard with 4 12 inch hanging chains, 8 quick clips, and Quick Clean Off Sleeve
<b>Optional Accessories</b>	Two Chain Hanging Kit Four Chain Hanging Kit	Two Chain Hanging Kit Four Chain Hanging Kit	Two Chain Hanging Kit Four Chain Hanging Kit	Two Chain Hanging Kit Four Chain Hanging Kit	Two Chain Hanging Kit Four Chain Hanging Kit	Two Chain Hanging Kit Four Chain Hanging Kit
<b>Total Sweeper Weight</b>	124.4 lbs	158.4 lbs	191.8 lbs	225.8 lbs	258.8 lbs	291.8 lbs
<b>Total Shipping Weight</b>	150 lbs	188.2 lbs	226 lbs	264.2 lbs	301.5 lbs	338.7 lbs
<b>Shipping Dimensions</b>	40"L x 12"W x 14"H	52"L x 12"W x 14"H	64"L x 12"W x 14"H	76"L x 12"W x 14"H	88"L x 12"W x 14"H	100"L x 12"W x 14"H



# ISO SPECIFICATIONS

ISO Series™	ISO 62	ISO 74	ISO 86	ISO 98
Sweeper Width	62"	74"	86"	98"
Cleaning Method	Quick Clean Off Sleeve	Quick Clean Off Sleeve	Quick Clean Off Sleeve	Quick Clean Off Sleeve
Sweeping Height Adjustability	Yes, continuous adjustment	Yes, continuous adjustment	Yes, continuous adjustment	Yes, continuous adjustment
Magnet Type	Ceramic 8	Ceramic 8	Ceramic 8	Ceramic 8
Maximum Lifting Height (using 2.5", 8 penny nails)	9 inches	9 inches	9 inches	9 inches
Ground Clearance	Adjustable, with a minimum of 1.75 inches	Adjustable, with a minimum of 1.75 inches	Adjustable, with a minimum of 1.75 inches	Adjustable, with a minimum of 1.75 inches
Wheels	5" Dynatread Thermoplastic Rubber wheels with polypropylene hubs and 5/8 inch ball bearings rated at 300 lbs capacity each	5" Dynatread Thermoplastic Rubber wheels with polypropylene hubs and 5/8 inch ball bearings rated at 300 lbs capacity each	5" Dynatread Thermoplastic Rubber wheels with polypropylene hubs and 5/8 inch ball bearings rated at 300 lbs capacity each	5" Dynatread Thermoplastic Rubber wheels with polypropylene hubs and 5/8 inch ball bearings rated at 300 lbs capacity each
Accessories	Comes standard with 6 stabilizing chains and Quick Clean Off Sleeve	Comes standard with 6 stabilizing chains and Quick Clean Off Sleeve	Comes standard with 6 stabilizing chains and Quick Clean Off Sleeve	Comes standard with 6 stabilizing chains and Quick Clean Off Sleeve
Total Sweeper Weight	210 lbs	251 lbs	292 lbs	332 lbs
Total Shipping Weight	226.41 lbs	268.31 lbs	310.21 lbs	351.12 lbs
Shipping Dimensions	72"L x 12"W x 15"H	84"L x 12"W x 15"H	96"L x 12"W x 15"H	108"L x 12"W x 15"H
SKU	IS62	IS74	IS86	IS98



# KHAM SIN SPECIFICATIONS

Khamsin Series™	Khamsin 62	Khamsin 74	Khamsin 86	Khamsin 98
Sweeper Width	62"	74"	86"	98"
Cleaning Method	Quick Clean Off Sleeve	Quick Clean Off Sleeve	Quick Clean Off Sleeve	Quick Clean Off Sleeve
Sweeping Height Adjustability	Yes, 2.5" minimum, 3" recommended, 5" maximum	Yes, 2.5" minimum, 3" recommended, 5" maximum	Yes, 2.5" minimum, 3" recommended, 5" maximum	Yes, 2.5" minimum, 3" recommended, 5" maximum
Magnet Type	Ceramic 8	Ceramic 8	Ceramic 8	Ceramic 8
Maximum Lifting Height (using a 2.5" nail)	9 inches	9 inches	9 inches	9 inches
Ground Clearance	adjustable, with a minimum of 2.5" inches	adjustable, with a minimum of 2.5" inches	adjustable, with a minimum of 2.5" inches	adjustable, with a minimum of 2.5" inches
Wheels	10" x 3" Foam Filled flat proof bump wheels with steel hubs and 5/8" ball bearings rated at 100 kg (220 lbs) capacity each	10" x 3" Foam Filled flat proof bump wheels with steel hubs and 5/8" ball bearings rated at 100 kg (220 lbs) capacity each	10" x 3" Foam Filled flat proof bump wheels with steel hubs and 5/8" ball bearings rated at 100 kg (220 lbs) capacity each	10" x 3" Foam Filled flat proof bump wheels with steel hubs and 5/8" ball bearings rated at 100 kg (220 lbs) capacity each
Housing Construction	1/8" thick 6061 Aluminum	1/8" thick 6061 Aluminum	1/8" thick 6061 Aluminum	1/8" thick 6061 Aluminum
Maintenance	None	None	None	None
Included Accessories	Comes standard with 6 stabilizing chains and 14 quick clips	Comes standard with 6 stabilizing chains and 14 quick clips	Comes standard with 6 stabilizing chains and 14 quick clips	Comes standard with 6 stabilizing chains and 14 quick clips
Total Sweeper Weight	218.5 lbs	252.5 lbs	285.5 lbs	318.5 lbs
Total Shipping Weight	251.3 lbs	288.7 lbs	327.3 lbs	365.8 lbs
Shipping Dimensions	64"L x 13"W x 14"H	76"L x 13"W x 14"H	88"L x 13"W x 14"H	100"L x 13"W x 14"H
SKU	KM62/4.5	KM74/4.5	KM86/4.5	KM98/4.5



# AETHER SPECIFICATIONS

Aether Series™	Aether 62	Aether 74	Aether 86	Aether 98
Sweeper Width	62"	74"	86"	98"
Cleaning Method	Quick Clean Off Sleeve	Quick Clean Off Sleeve	Quick Clean Off Sleeve	Quick Clean Off Sleeve
Sweeping Height Adjustability	Yes, 2 ½" minimum, recommended from 3" to 5" maximum	Yes, 2 ½" minimum, recommended from 3" to 5" maximum	Yes, 2 ½" minimum, recommended from 3" to 5" maximum	Yes, 2 ½" minimum, recommended from 3" to 5" maximum
Magnet Type	Ceramic 8	Ceramic 8	Ceramic 8	Ceramic 8
Maximum Lifting Height (using a 2.5" nail)	9 inches	9 inches	9 inches	9 inches
Ground Clearance	Adjustable, with a minimum of 2.5 inches	Adjustable, with a minimum of 2.5 inches	Adjustable, with a minimum of 2.5 inches	Adjustable, with a minimum of 2.5 inches
Wheels	10" x 3" foam filled flat proof wheels with 5/8" ball bearings, each with a 100 kg (220 lb) rating	10" x 3" foam filled flat proof wheels with 5/8" ball bearings, each with a 100 kg (220 lb) rating	10" x 3" foam filled flat proof wheels with 5/8" ball bearings, each with a 100 kg (220 lb) rating	10" x 3" foam filled flat proof wheels with 5/8" ball bearings, each with a 100 kg (220 lb) rating
Housing Construction	Aluminum	Aluminum	Aluminum	Aluminum
Maintenance	None	None	None	None
Included Accessories	Comes standard with 6 stabilizing chains and Quick Clean Off Sleeve	Comes standard with 6 stabilizing chains and Quick Clean Off Sleeve	Comes standard with 6 stabilizing chains and Quick Clean Off Sleeve	Comes standard with 6 stabilizing chains and Quick Clean Off Sleeve
Total Sweeper Weight	230.3 lbs	264.3 lbs	297.3 lbs	330.3 lbs
Total Shipping Weight	271.8 lbs	309.2 lbs	347.8 lbs	386.3 lbs
Shipping Dimensions	64"L x 16"W x 13"H	76"L x 16"W x 13"H	88"L x 16"W x 13"H	100"L x 16"W x 13"H
SKU	AE62/4.5	AE74/4.5	AE86/4.5	AE98/4.5

# ALPHA SPECIFICATIONS


Alpha Series™	Alpha 86	Alpha 98
SKU	AL86/4.5	AL98/4.5
Sweeper Width	86"	98"
Cleaning Method	<a href="#">Quick Clean Off Sleeve</a>	<a href="#">Quick Clean Off Sleeve</a>
Sweeping Height Adjustability	Yes, 2 ½" minimum, recommended from 3" to 5" maximum, remote controlled raising and lowering of magnet from raised travelling to lowered sweeping position	Yes, 2 ½" minimum, recommended from 3" to 5" maximum, remote controlled raising and lowering of magnet from raised travelling to lowered sweeping position
Magnet Type	Ceramic 8	Ceramic 8
Maximum Lifting Height (using a 2.5" nail)	9 inches	9 inches
Ground Clearance	Adjustable, with a minimum of 2.5 inches	Adjustable, with a minimum of 2.5 inches
Wheels	10" x 3" foam filled flat proof wheels with 5/8" ball bearings, each with a 100 kg (220 lb) rating	10" x 3" foam filled flat proof wheels with 5/8" ball bearings, each with a 100 kg (220 lb) rating
Housing Construction	Aluminum	Aluminum
Maintenance	None	None
Included Accessories	Comes standard with 4 stabilizing chains and <a href="#">Quick Clean Off Sleeve</a>	Comes standard with 4 stabilizing chains and <a href="#">Quick Clean Off Sleeve</a>
Total Sweeper Weight	328.4 lbs	361.4 lbs
Total Shipping Weight	355.9 lbs	394.9 lbs
Shipping Dimensions	97"L x 17"W x 15"H	109"L x 17"W x 15"H





**Bluestreak** equipment MAGNETICS  
APPLICATION DRIVEN DESIGN

 1645 Hwy #3 Delhi, ON CAN N4B 2W6

 519-582-1386

 [www.blustreakequipment.com](http://www.blustreakequipment.com)