

Assembly Installation Operating and Maintenance Instructions



 **SEEKER**

 **Bluestreakequipment** MAGNETICS
APPLICATION DRIVEN DESIGN

Bluestreak Equipment
1645 Hwy #3, Delhi, Ontario, Canada N4B 2W6

Table of Contents

| | |
|-------------------------------------|----|
| Assembly Instructions | 3 |
| Installation Instructions | 5 |
| Operating Instructions | 6 |
| Configuring Triple Sweeper | 11 |
| Configuring for Inline Travel | 12 |
| Maintenance Instructions | 13 |

Safety

Accidents can be very costly to human life and property. The operator is the #1 safety device on all types of vehicles or equipment, it is important that the operator read, learn, and know all safety recommendations for this product. The user is responsible to their family, friends, and co-workers to operate in a safe manner. Ensure that everyone who operates or assists in the operation or maintenance of this product read and understand all the elements required to safely operate this piece of equipment. This attachment has moving parts that include additional dangers.

Never use drugs or alcoholic drinks when operating or servicing this piece of equipment.

Always wear the proper personal protection equipment when servicing or operating this piece of equipment. Never service or operate this attachment with bare feet, sandals, or other light footwear.

Keep limbs clear of the sweeper while raising and lowering the magnet.

If working on public roadway, display a Slow-Moving Vehicle emblem per your local regulations. Turn your flashers on.

Operate only during daylight or well-lit artificial light.

Store this sweeper in an area not frequented by children.

Allow no riders on this trailer. Keep all bystanders clear of attachment during operation.

Always replace worn, torn or missing safety decals before operating.

Before each operation of this trailer, check all hardware (bolts, nuts, pins, etc.) for their proper location and tightness.

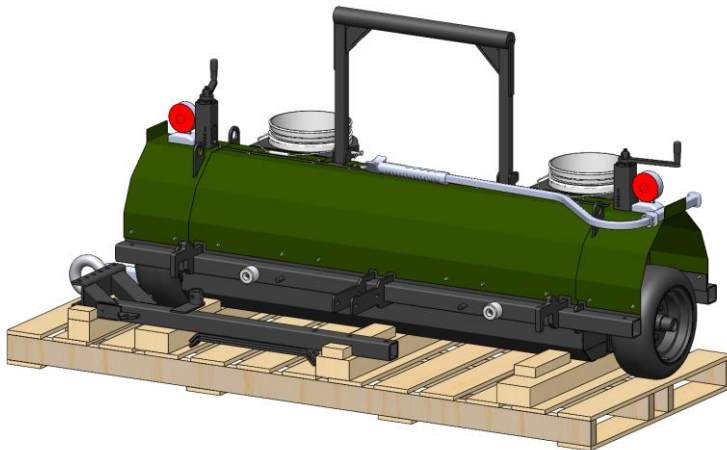
Speed Kills! Operate this trailer at a safe working speed. When transporting the trailer, keep a safe speed to avoid losing control of the trailer or prime mover.

Keep proper clearance between the trailer and objects (utilities, tree stumps, large rocks, buildings, etc.). Contacting these objects with the trailer or prime mover could cause a loss of control or damage to the trailer or property.

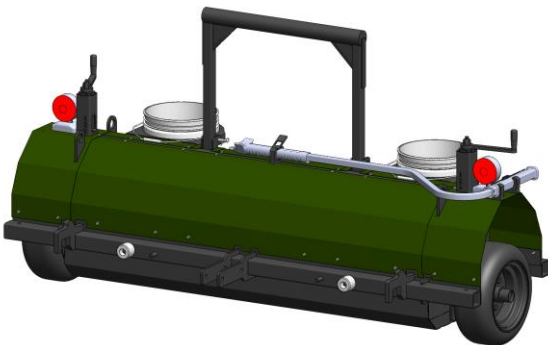
Vehicle requirements

The tow vehicle must be equipped with a pintle hook to accept a 3" pintle ring

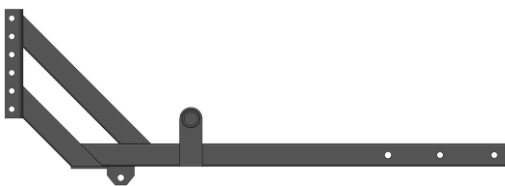
Step #1 Unpacking your Shipment



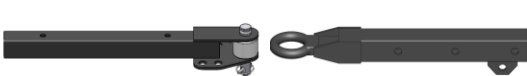
Seeker as shipped on
pallet with wrap and
banding removed



Sweeper Assembly (1pc)



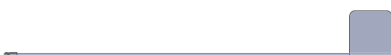
Main Tongue (1pc) with jack
and safety chains installed
(Front Sweeper)



Side Tongue (1pc) and Side Brace (1pc)
(Rear Sweeper)

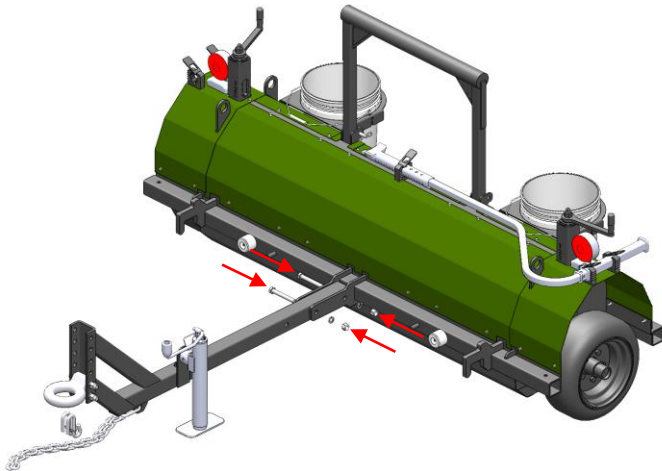


Tongue Struts (2pcs)

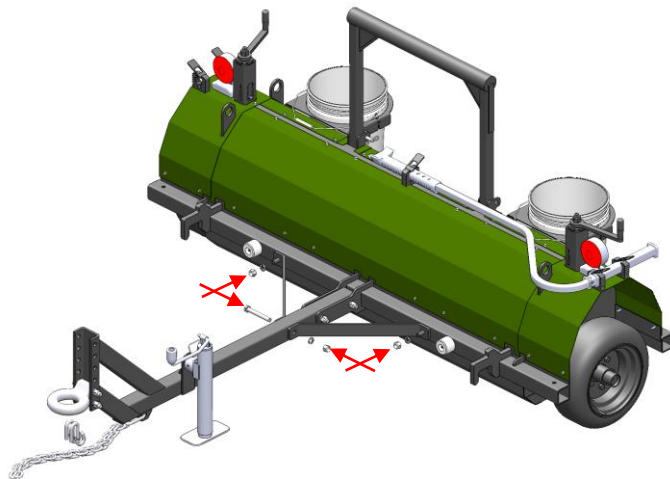


Safety Flags (2pcs)

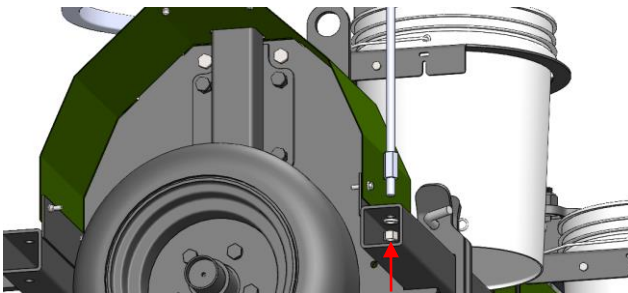
Step #2 Assemble Sweeper



1. Bolt tongue to sweeper with 2pcs 5/8" x 4.5" bolts and lock washer

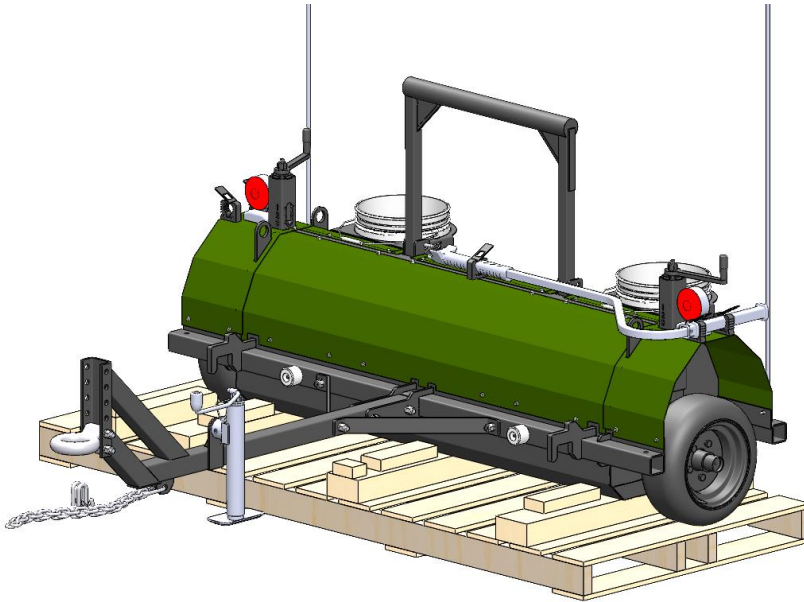


2. Bolt tongue struts to sweeper using 2pcs 5/8" nuts with lock washers
3. Bolt tongue struts to tongue using 1pc 5/8" x 4.5" bolt and lock washer

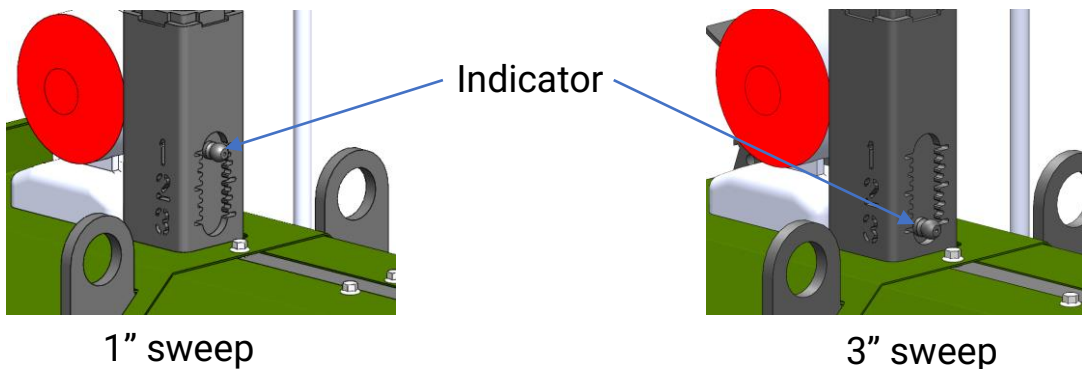


4. Fix each safety flag to sweeper with 1pcs 1/2" nuts and lock washer

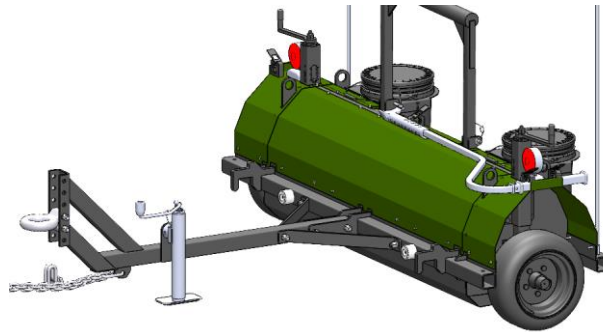
Step #3 Remove from Pallet



5. Raise the sweeper from the pallet using a forklift.
6. Rotate jack stand to vertical position and install spring pin.
7. Adjust sweeping height cranks until the grease zerk indicates 3" sweeping height.
8. Place sweeper on the ground and remove forklift. It may be necessary to disengage the magnet by pulling the handle down

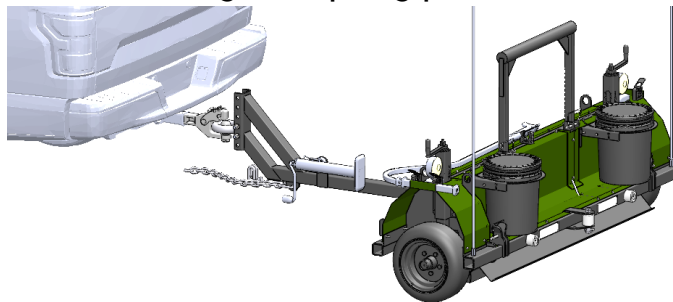


Installing the Seeker Sweeper



Connect the sweeper to the tow vehicle

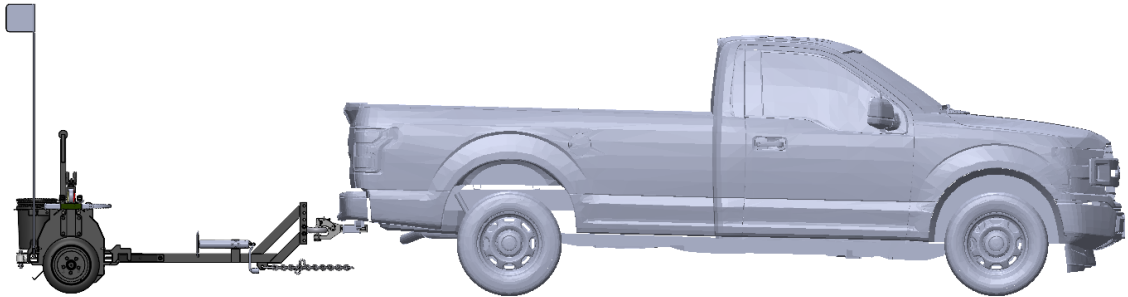
1. Reverse the vehicle to line up the pintle hook and the pintle ring
2. Once the pintle ring is over the hook, lower the ring using the jack stand, then close and secure the hook
3. Clip on the safety chains and connect the trailer lights
4. Raise the jack stand and move it to the horizontal position by removing and reinstalling the spring pin



5. Ensure that the tongue is as level as possible. This can be adjusted by changing the mounting position of the pintle ring on the tongue.



Operating the Seeker Sweeper

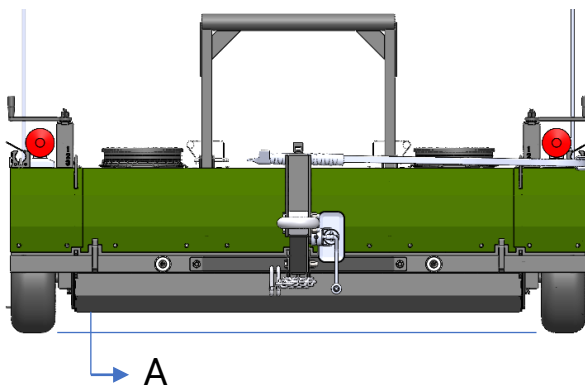


The Seeker Airmag is most effective when the magnet is as close to the ground as possible. If you are sweeping in a large flat area, set the sweeping height low. Set the sweeping height high if there are bumps or short obstructions.

The size and quantity of debris that is being collected will also impact the sweeping height (more or larger debris should be collected at a higher sweeping height).

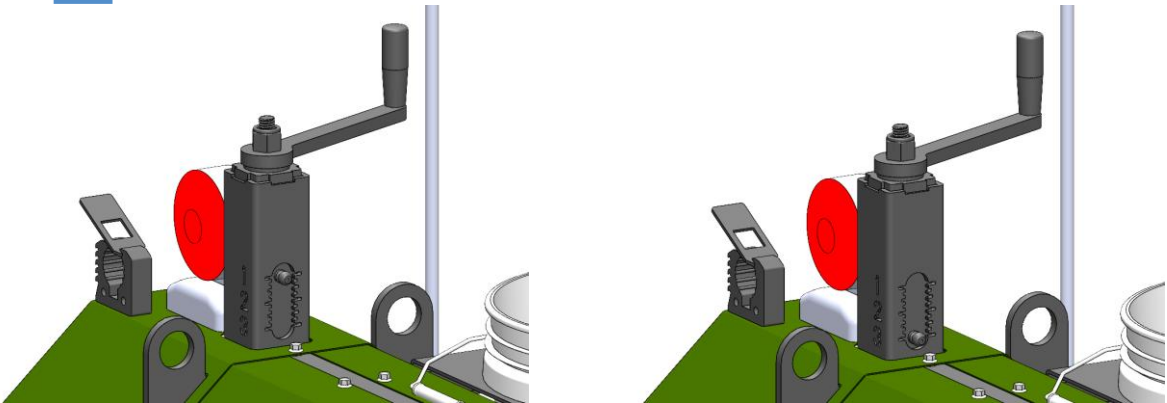
In areas with more debris it is recommended to clean off the sweeper more often to ensure all debris is collected

The magnet effectiveness is also impacted by the sweeping speed. This magnet has been designed to be effective at a maximum 25km/h (~15.5mph), however, the sweeper will better collect debris at lower speeds.



| Distance A | Gauss (G) |
|------------|-----------|
| 1" | 1678 |
| 2" | 1035 |
| 3" | 701 |

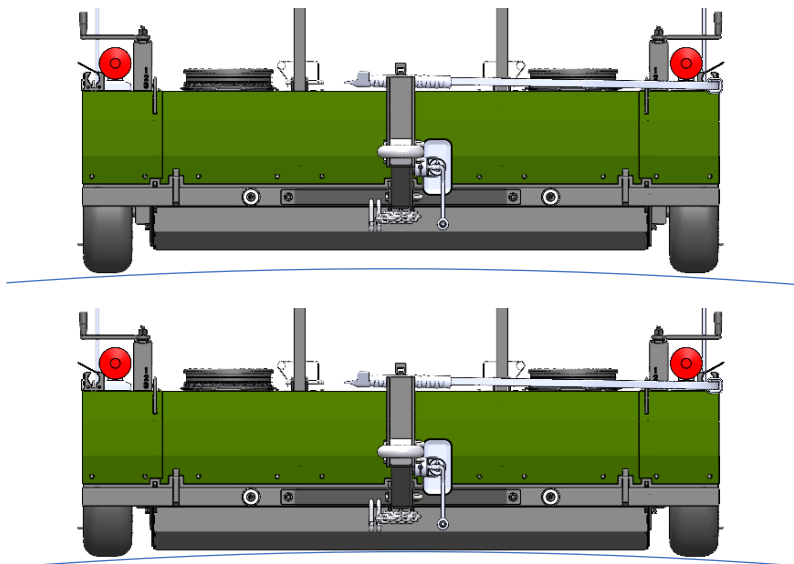
Operating the Seeker Sweeper



Set Sweeping Height

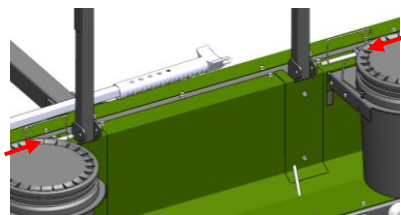
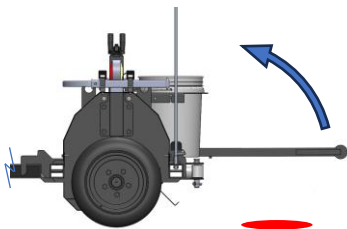
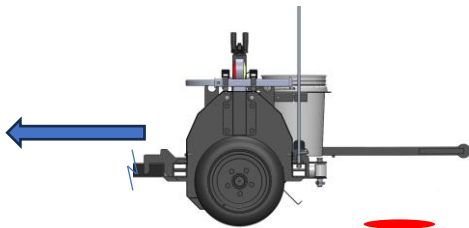
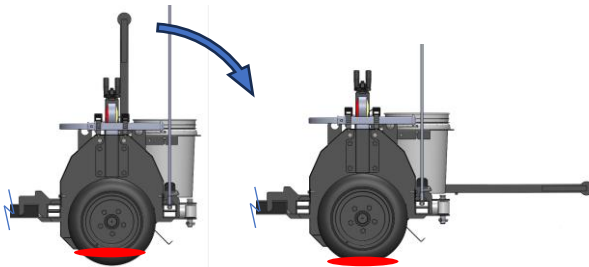
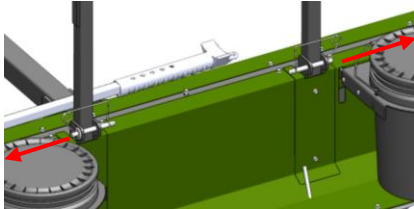
The height adjustment setting for the Seeker Magnetic Sweeper is located above each wheel. The sweeper is more effective at lower sweeping heights, however, to sweep at heights lower than 2" the sweeping area must be very flat, and debris must be very small.

To adjust the sweeping height, turn the height adjustment crank until the grease zerk lines up with the desired sweeping height



Operating the Seeker Sweeper

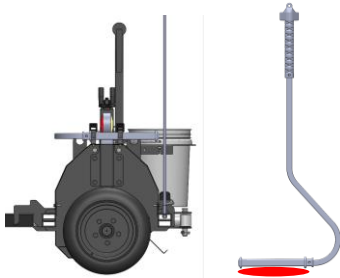
Cleaning Off Collected Debris



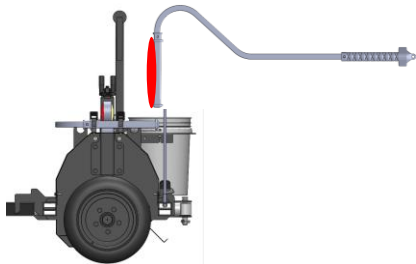
- A. When the vehicle is stopped, remove handle lock pins.
- B. Pull down clean-off handle and debris will fall to ground. The magnet will hold itself in this position.
- C. Move vehicle forward until it is no longer over the debris.
- D. Return clean-off handle to upright position. Be aware the handle may return upright quickly and can be a hazard.
- E. Replace handle lock pins.

Operating the Seeker Sweeper

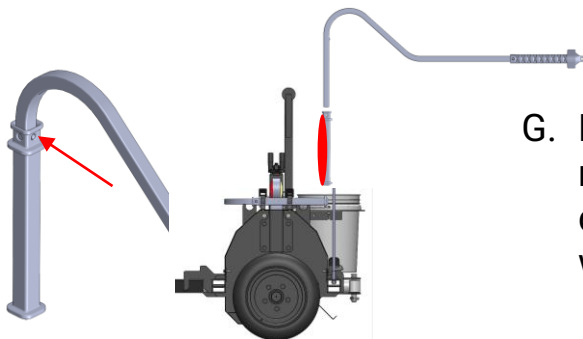
Cleaning Debris Deposited on the Ground



- F. Remove the Powerstik from the sweeper and use it to pick up the pile of debris.

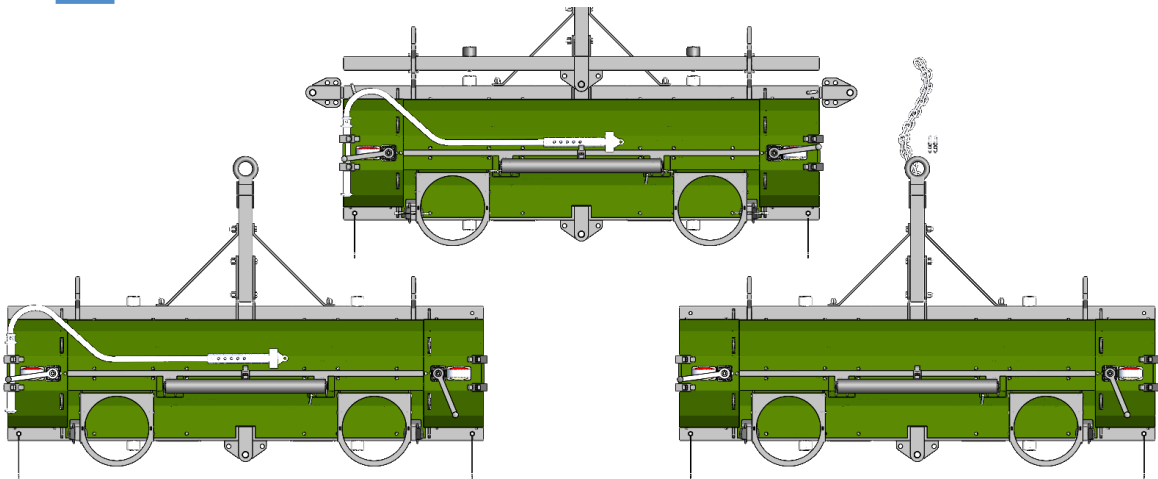


- G. Position Powerstik with collected debris over FOD bucket.

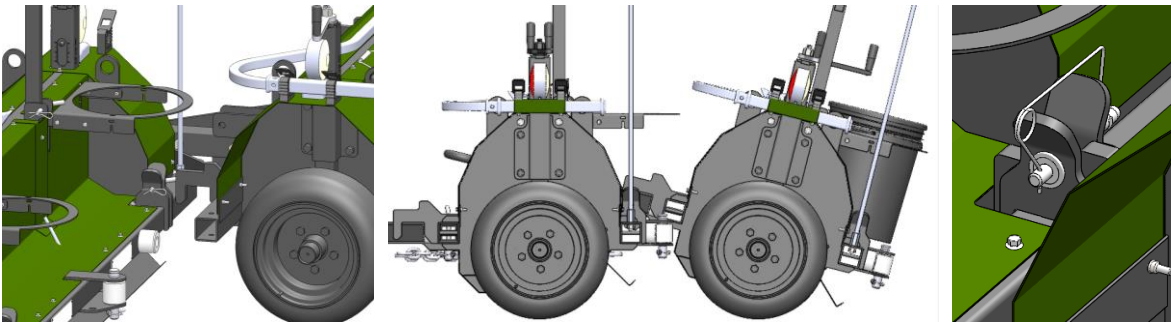


- G. Press the Quick Clean Off Sleeve release button and slide sleeve down and off of Powerstik. Debris will drop into the bucket.

Configuring Triple Sweeper

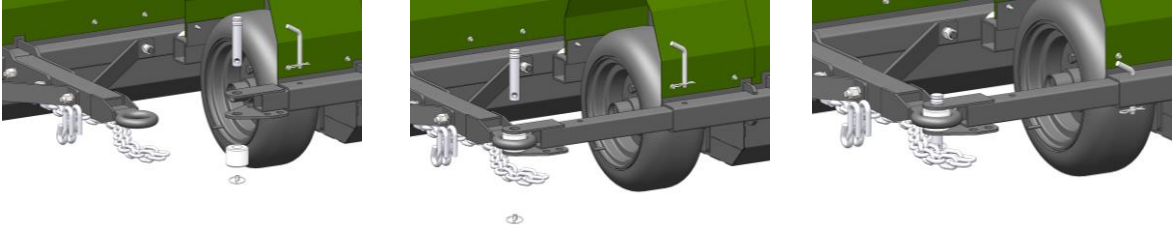


1. Install side braces on main sweeper
2. Position two sweepers behind and on each side of the main sweeper and raise rear sweepers to 3" sweeping height

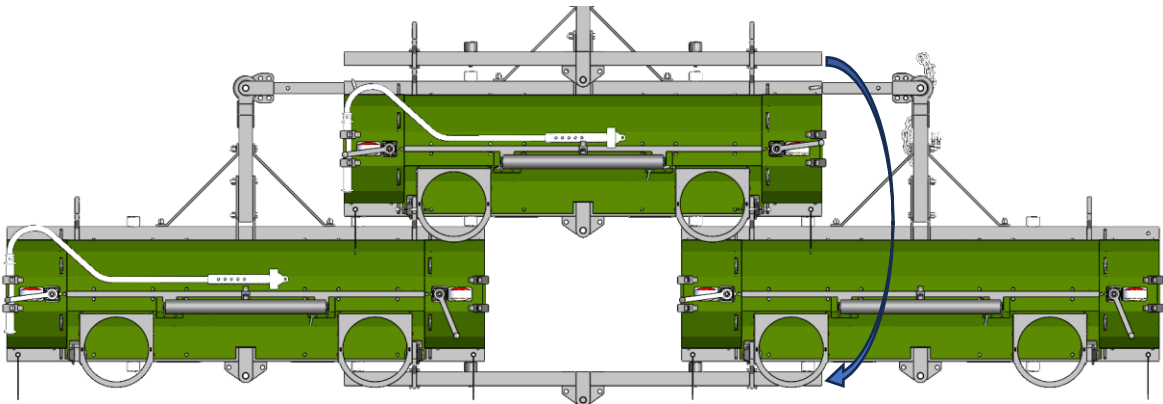


3. Lower main sweeper to 1" sweeping height
4. Move one rear sweeper forward and hook onto main sweeper
5. Raise main sweeper on the side that has been hooked
6. Lock sweepers together with ½" hitch pin

Configuring Triple Sweeper

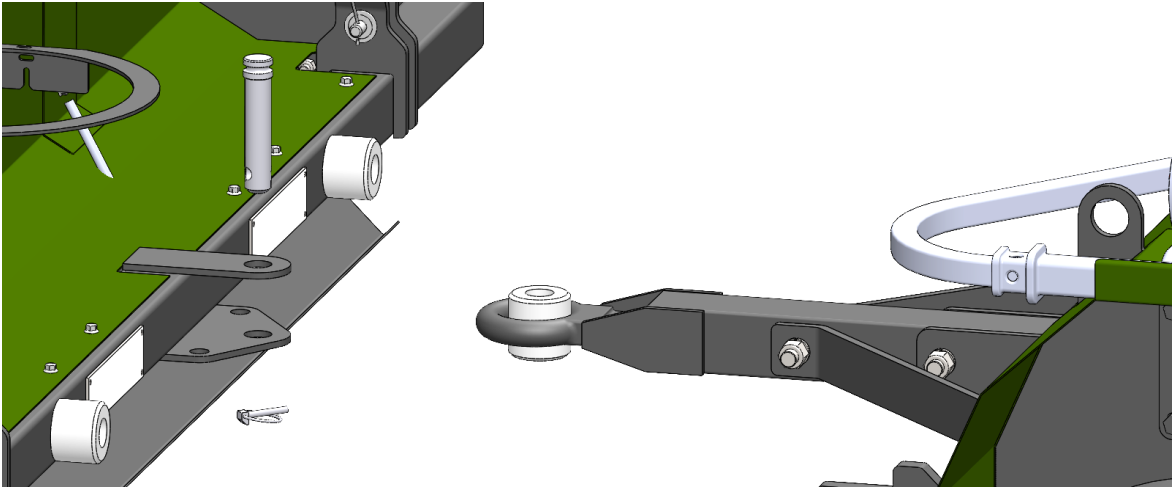


7. Remove pintle expander from side brace
8. Extend side brace and pin through pintle expander
9. Lock side brace with $\frac{1}{2}$ " hitch pin
10. Repeat on other side

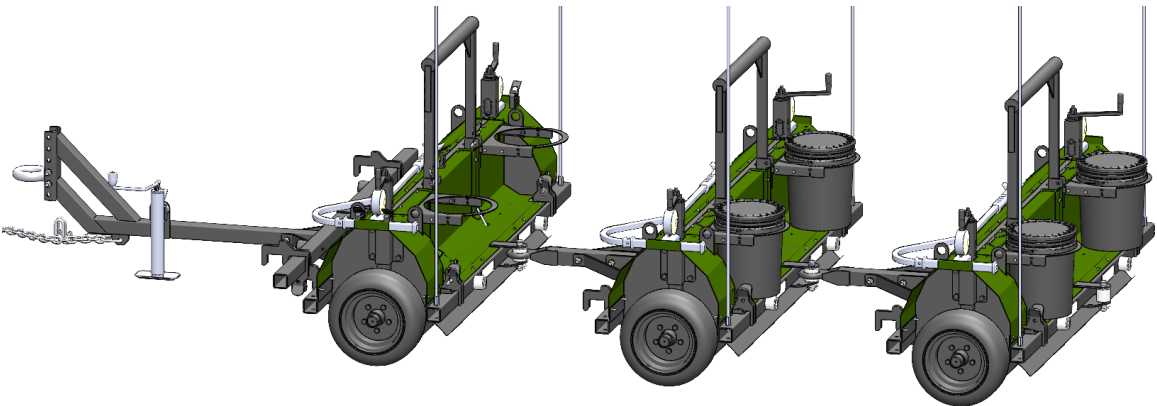


11. Remove rear link bar from main sweeper and hook onto rear sweepers.
12. Lock bar in place with $\frac{1}{2}$ " hitch pins

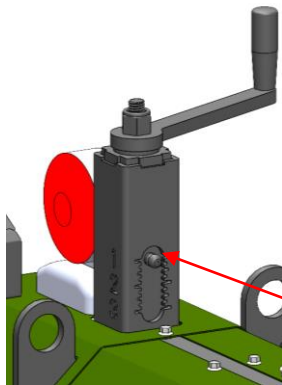
Configuring for Inline Travel



1. Remove pin and pintle expander from main sweeper
2. Place pintle expander in one rear trailer pintle and pin to main trailer
3. Repeat for second rear trailer



Maintenance and Storage



Grease



There are four grease zerks on each module of the Seeker Airmag. One on each wheel hub and one on each height adjustment jack.

Each Use

Check that all fasteners are in place and tight

Every Month

Grease the height adjustment jacks and wheel bearings as shown above.

Adjust sweeping height to ensure the jack is properly greased

Each Year

Inspect wear on tires, replace if necessary

Inspect for scratches in paint and touch up as necessary to prevent rusting.

Inspect for loose or worn parts that will need replacement

Storage

If the sweeper will not be used for extended periods it is recommended to store it in a dry place or under a tarp if it will be stored outdoors.