

Operating Instructions

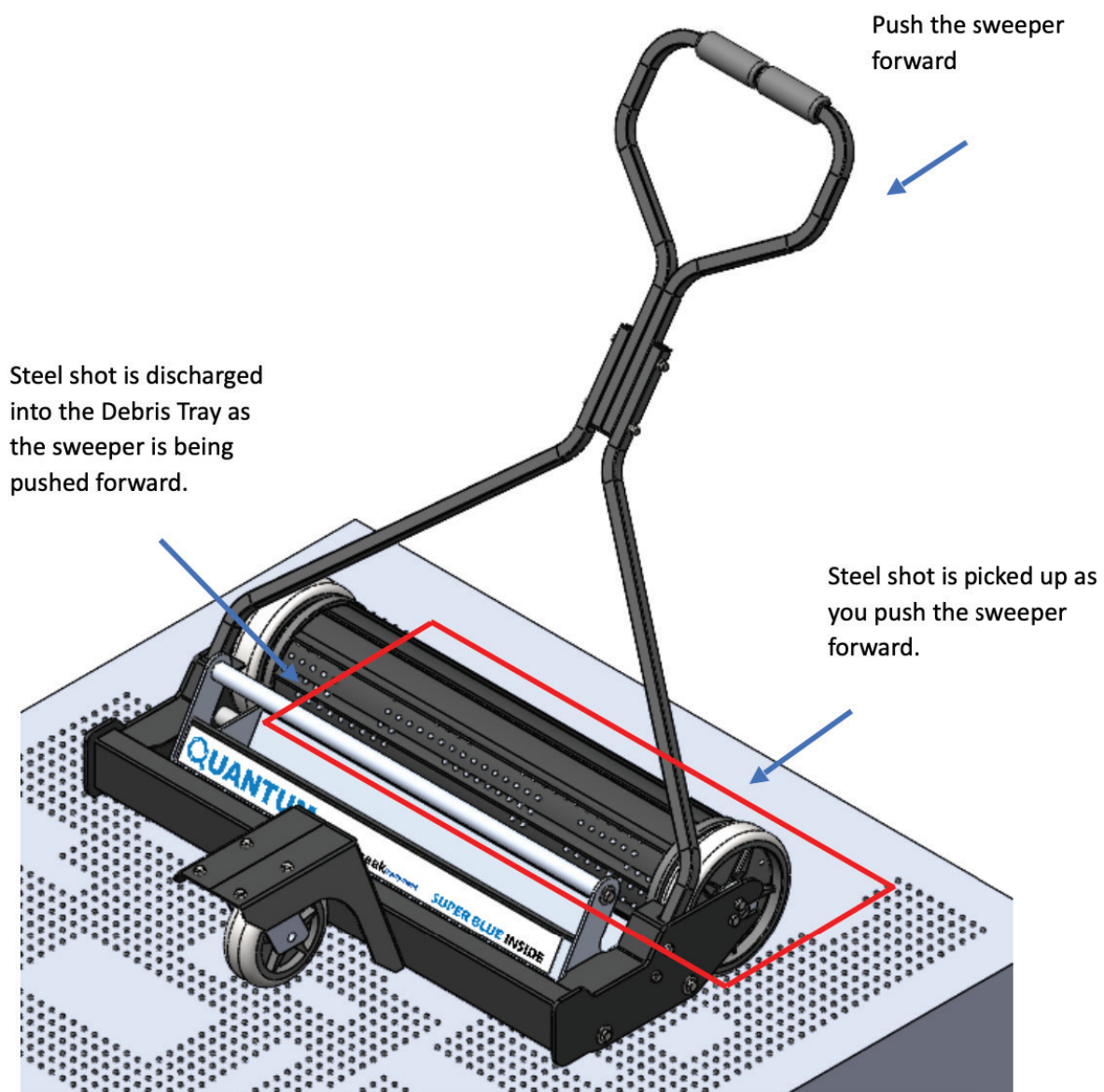


QUANTUM

Bluestreakequipment MAGNETICS
APPLICATION DRIVEN DESIGN

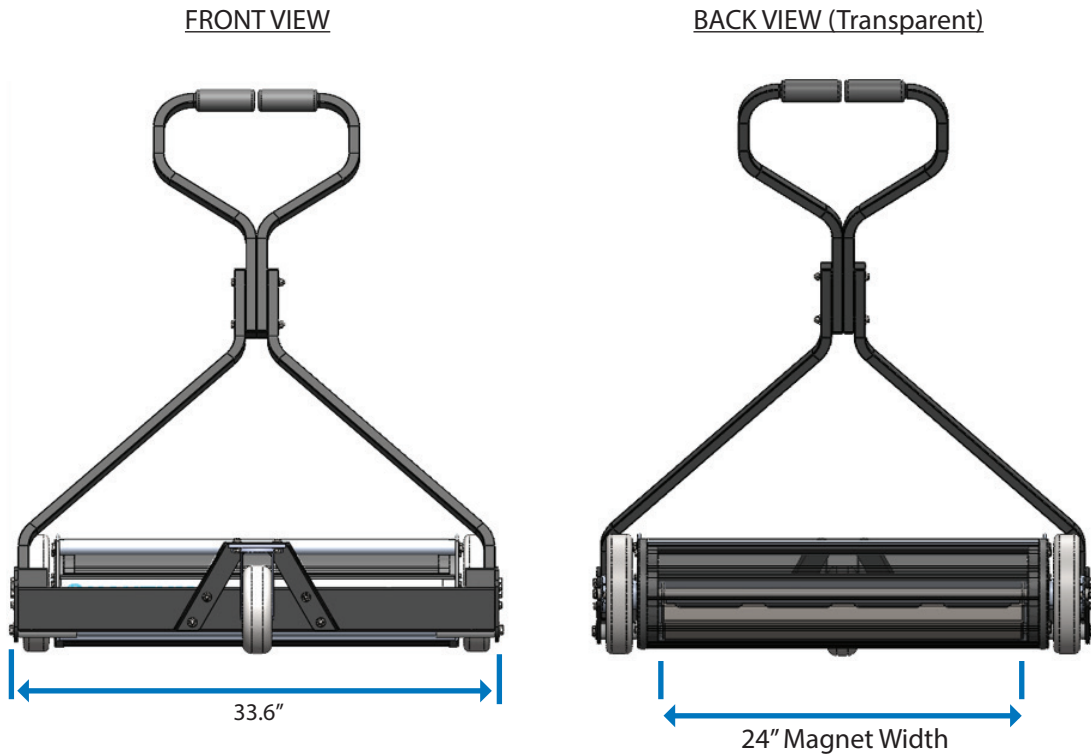
Bluestreak Equipment
1645 Hwy #3, Delhi, Ontario, Canada N4B 2W6

Overview of Operation



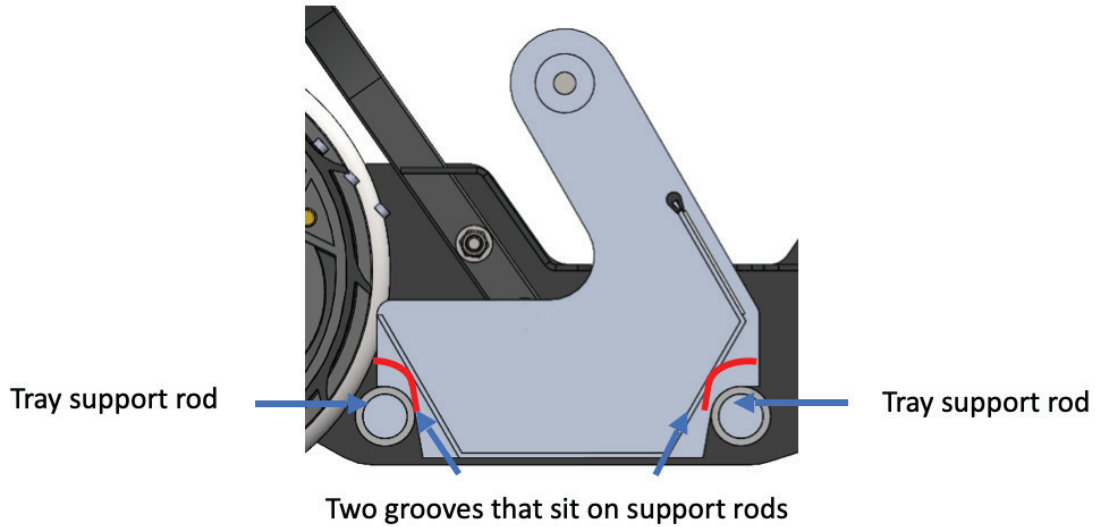
Operation of the magnetic sweeper is straight forward. Push the magnetic sweeper forward, and the sweeper will pick up steel shot and deposit it into the Debris Tray, leaving a clear path behind it. As the sweeper is pushed forward, the steel shot is continuously cleaned off from the bottom of the sweeper by the rotating finned drum. By design, this ensures that maximum magnet performance is continuously available.

1. Sweeping Width vs. Product Width

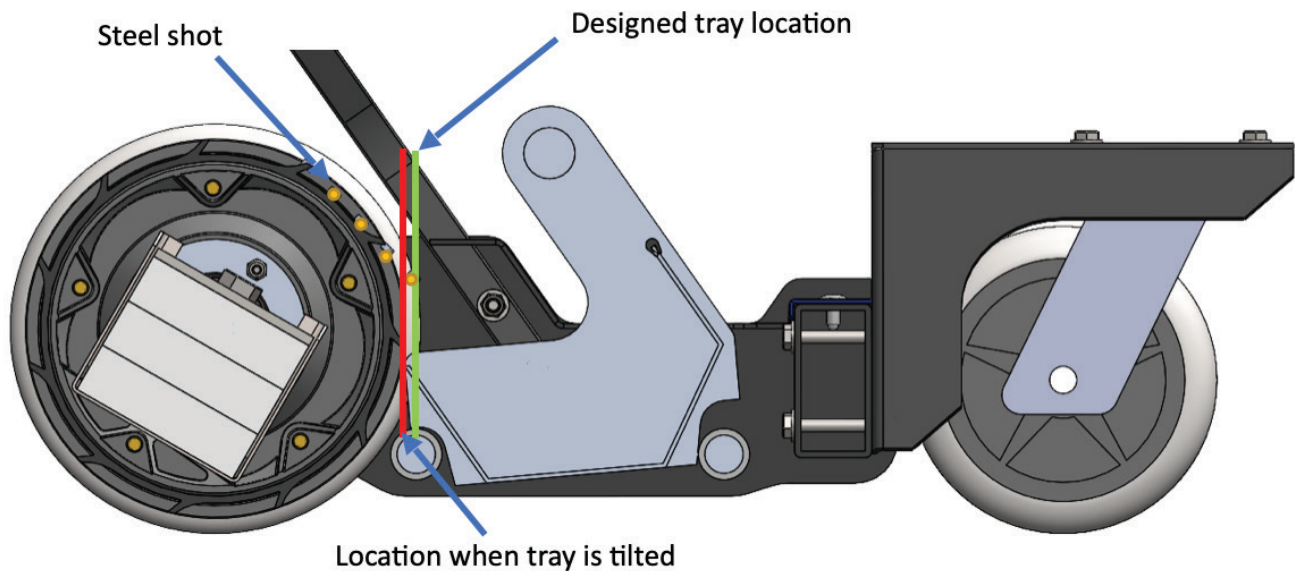


The sweeper has a total width of 33.6", however, that's including the width of the handles, end plates, wheels, and other clearances. The magnet width is 24", leaving approximately 4.8" on each side of the sweeper.

3. The Debris Tray



The Tray's end cap has a groove on each bottom corner, which can sit on the two tray support rods.



When the Debris Tray is placed incorrectly (as shown above), it could result in tray shaking and rattling, causing damage to both end caps and support rod sleeves. It might also change the designed distance between drum and tray, causing the fin on the drum to get caught on the Debris Tray.

The Debris Tray can hold approximately 42 lbs of steel shot. Overfilling the Debris Tray could cause the shot to drop back to ground. Therefore, to maintain the performance, please empty the tray before it becomes full



4. Parts Availability

All parts are available for the magnetic sweeper from your dealer or directly from
Bluestreak Equipment at www.bluestreakequipment.com