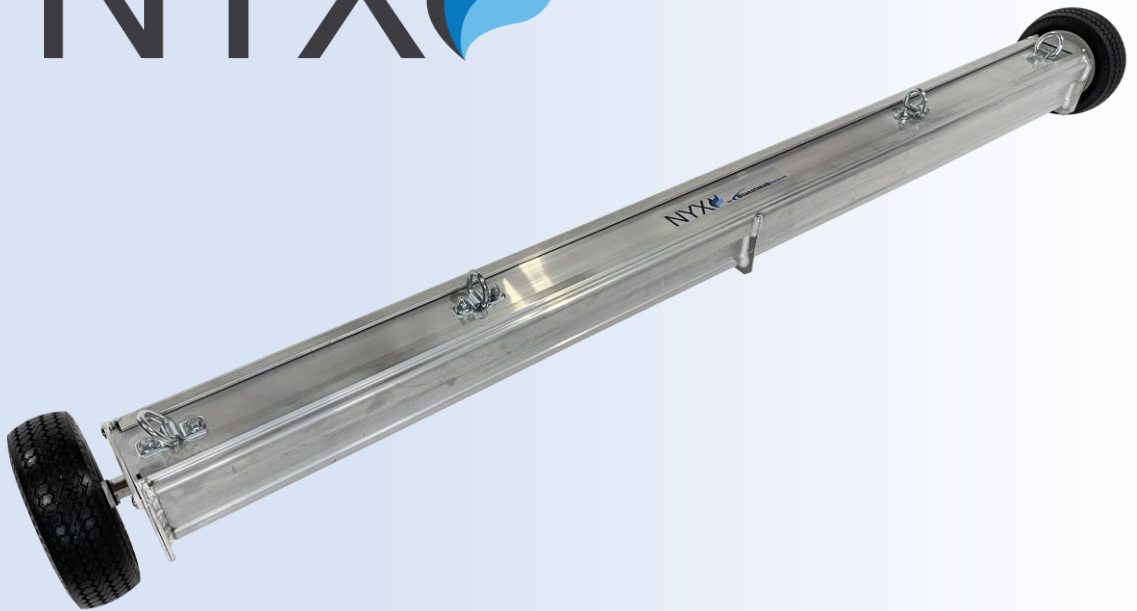


Operating Instructions

NYX 



 **Bluestreakequipment** MAGNETICS
APPLICATION DRIVEN DESIGN

Bluestreak Equipment
1645 Hwy #3, Delhi, Ontario, Canada N4B 2W6

Step 1: Adjust the sweep height

The Nyx sweeper is a hanging sweeper, meant to be suspended in air above the ground. It should have been set up with a custom hanging bracket mounted on the vehicle, or by purchasing and installing hanging bracket accessory Bracket E on to the vehicle. If you have purchased hanging Bracket E, refer to the hanging Bracket E operating instructions for height adjustment, then return to this manual for other operating instructions.

Adjusting the sweep height without hanging Bracket E is achieved by shortening the length of the chain it is hanging from. To adjust the height up (greater ground clearance) or down (less ground clearance):

1. Alleviate the weight of the sweeper off the chain it is hanging from, by lifting the assembly. This does not need to be done all at once, it can be done on one side at a time.

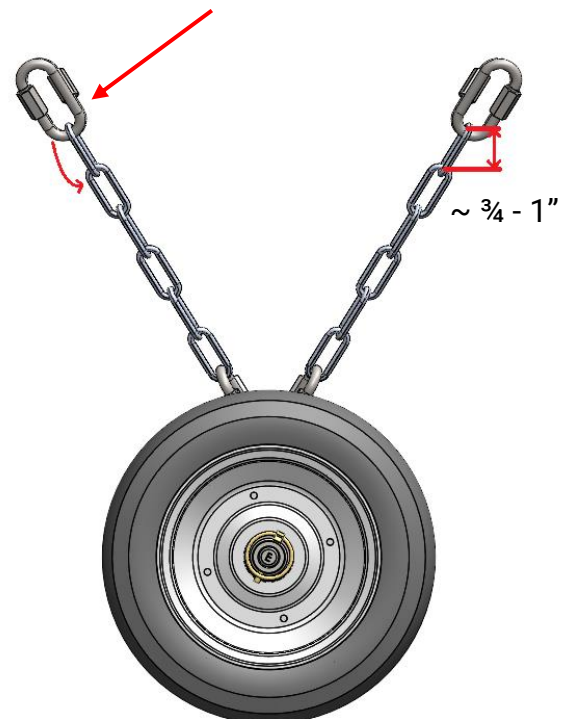
2. Move the quick links on each corner of the D rings up or down. Moving the quick links down 1 length of chain should raise the sweeper roughly $\frac{3}{4}$ -1". Alternatively, moving the quick links up 1 length of chain should rise the sweeper roughly $\frac{3}{4}$ -1"

3. Raise or lower the sweeper as desired. Measure the distance (roughly) from the ground to the bottom of the quick clean off sleeve. The optimal range is 3-5 inches, ensure you are within those limits.

4. Repeat the adjustment until a reasonable sweeping height is achieved.

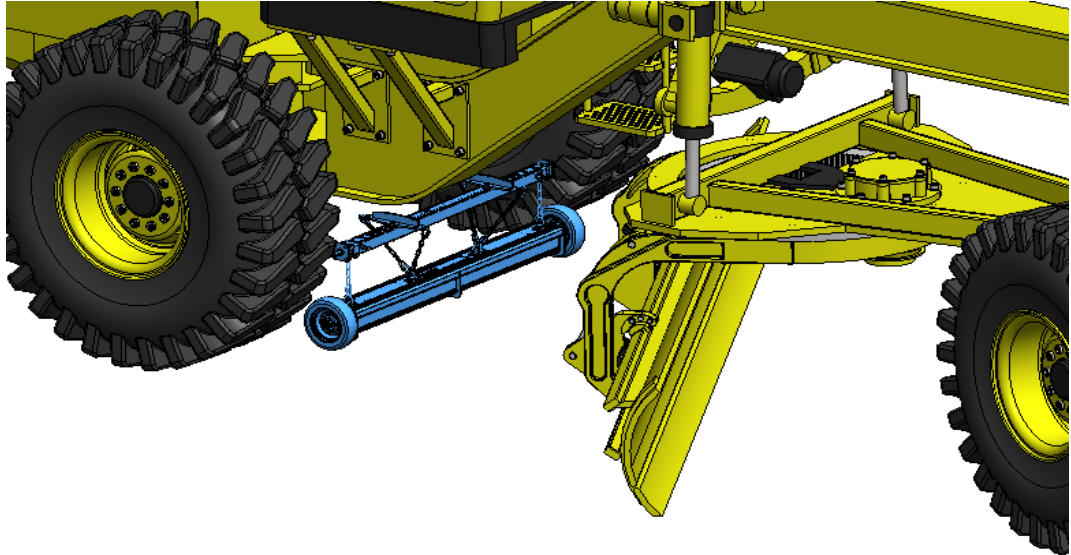
Note: If you see the sweeper contacting the ground very frequently, it is recommended to raise the sweep height. The wheels on the Nyx are meant for occasional contact and should not be rolling on the ground for extended periods of time.

Move link up or down on all corners to get appropriate height

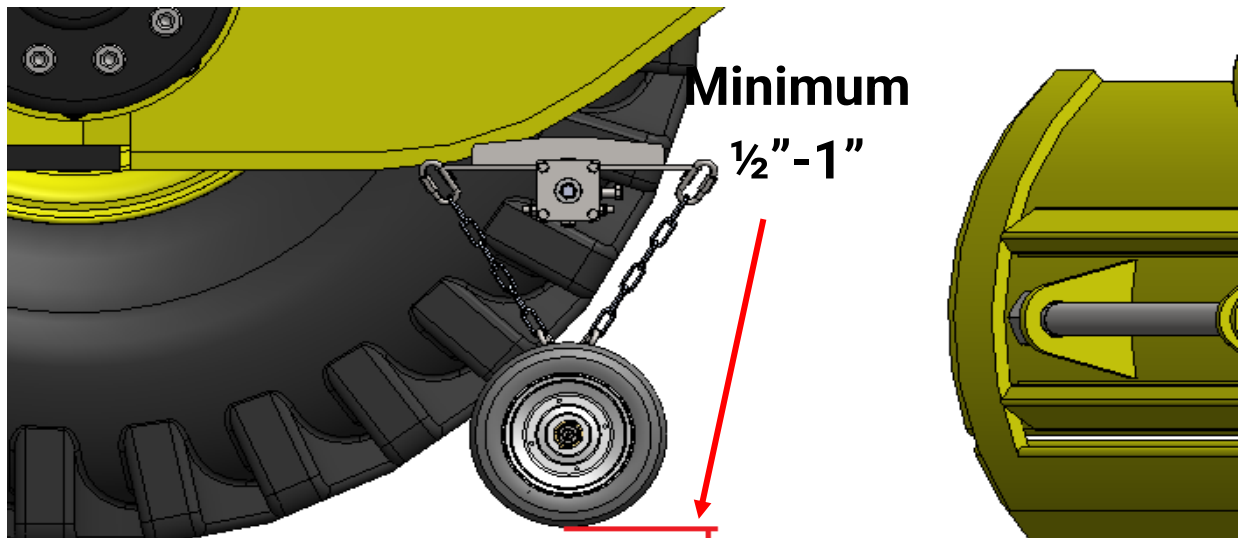


Step 2: Collect metal debris

Drive around with the magnet and pick up metal debris.



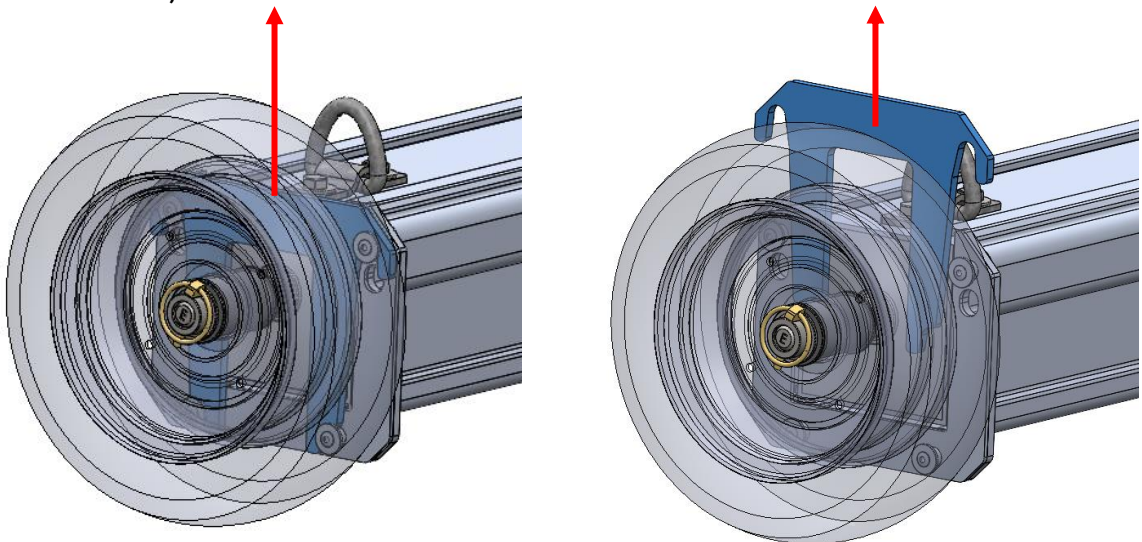
Note: The bump wheels on the ends of the sweeper should no less than 1/2"-1" off the ground when on level ground. The bump wheels on the sweeper will help to prevent ground strikes to the magnet housing and quick clean off sleeve. If you notice that the wheels on the ends of the sweeper are rolling on the ground frequently, it is recommended to raise the sweeper to prevent damage to the aluminum quick clean off sleeve.



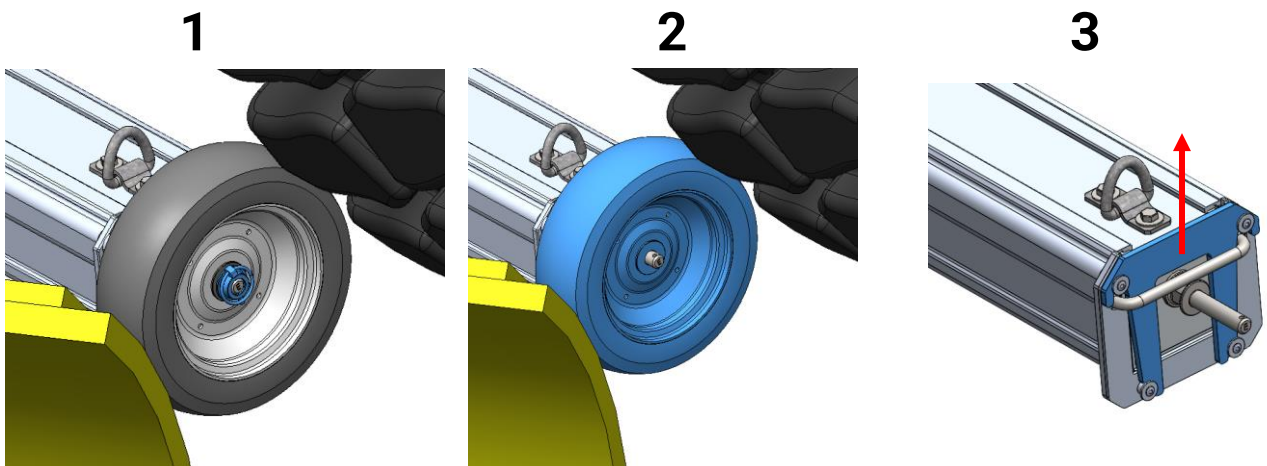
Step 3: Cleaning off the Nyx magnet

It is recommended to clean off the magnet often. Accumulating lots of debris on the magnet reduces pickup power and will make pulling the sleeve off more challenging.

To clean off the magnet, begin by identifying what side the handle is on, this indicates which side you will be pulling the sleeve from to discharge the debris. Walk around to the opposing side and remove the latch by pulling straight up. You should not have to remove the wheel for this, unless it is hard to access.

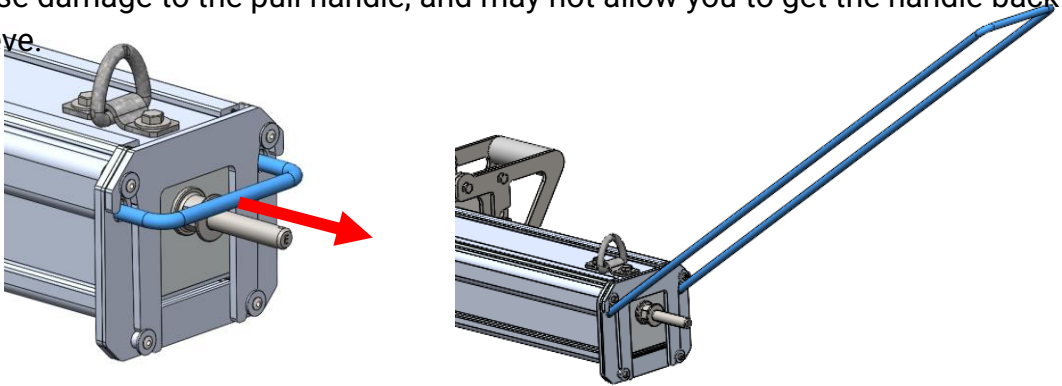


Walk back around to the side where the handle is and remove the 3/16" lynch pin and retainer that holds the bump wheels on, before removing the entire wheel assembly.



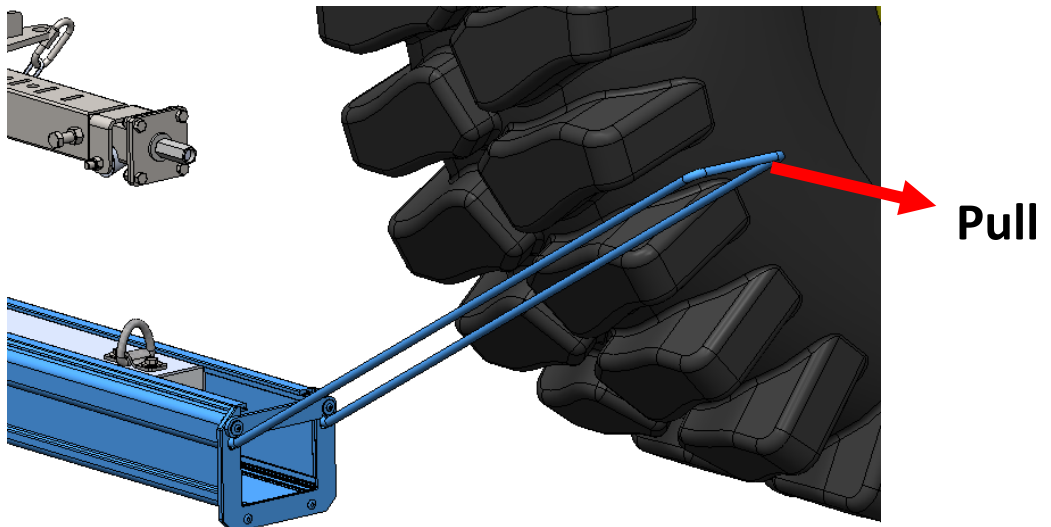
Step 3, continued

Lift the stainless-steel pull handle over the flange in the wheel bolt and pull it horizontally until it is fully extended. Once fully extended you will notice it can pivot up and down. You should not try to pivot the handle in any position other than when it is fully extended as this will cause damage to the pull handle, and may not allow you to get the handle back into the sleeve.



Grip the stainless-steel pull handle firmly and pull towards you. In the case where there is lots of debris collected, you may need to first pull swiftly to get the sleeve started off the magnet housing. It should get easier the further you pull the sleeve off.

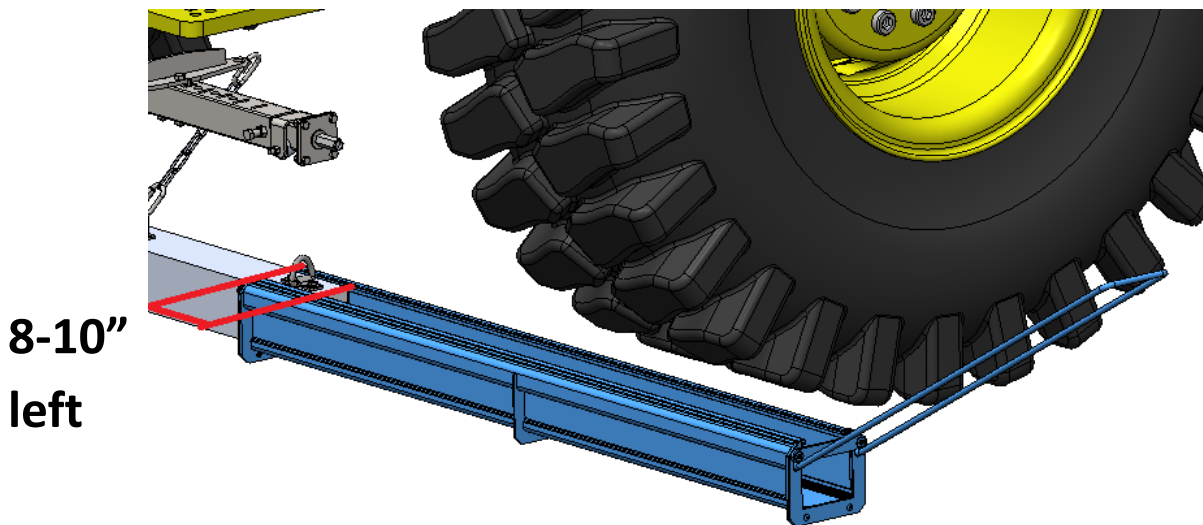
Note: The more parallel to the ground the handle is, the easier it will be to pull the sleeve off. The handle pivots for some ease of use, however it is not recommended to pull from steep angles as it takes much more force to pull the sleeve off, and in some cases the handle can be pulled completely out of the assembly.



Step 3, continued

Continue to pull the sleeve until there is just 8-10 inches of sleeve still over the magnet. It is highly recommended that the debris left on the sleeve be hand picked off the magnet.

Note: The aluminum sleeve will not get damaged if it is pulled off fully and falls to the ground when set at an appropriate sweep height between 3-5 inches. You may have some difficulty getting the sleeve aligned and back on the magnet



Visually inspect and remove any debris that may be stuck to the surface of the magnet. Remove debris on the magnet housing on all 3 sides so that the sleeve can slide back on easily. Failure to remove left over debris will cause difficulty when putting the sleeve back on, and subsequently when attempting to remove the sleeve the next time.

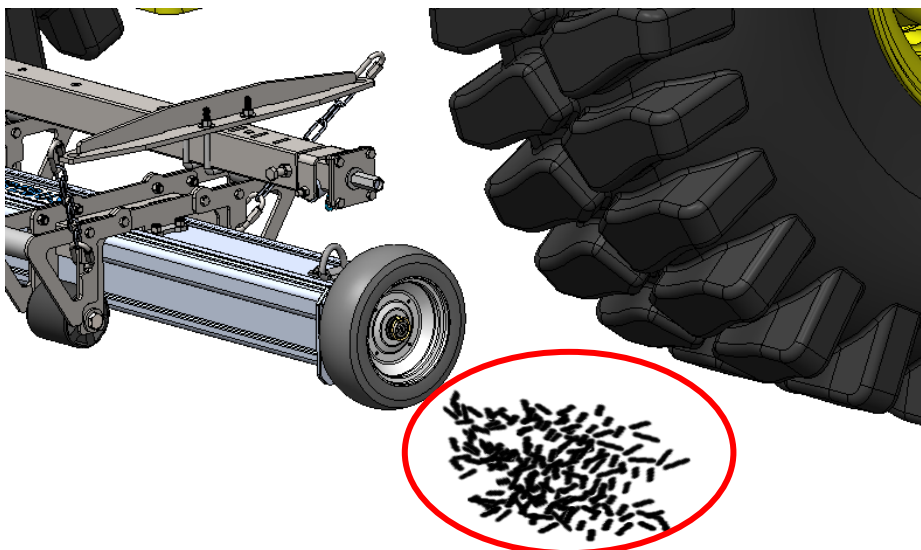
Step 4: Reinstall the quick clean off sleeve

Push the handle back into the pocket in the sleeve before sliding the sleeve back on the magnet. Push the sleeve back on from the end that it was pulled off from. Reinstall the swivel latches to keep the sleeve locked on the magnet. Continue sweeping with the Nyx Magnetic Sweeper.

Note: It is recommended that the magnet be cleaned off often. The more debris that is on the magnet, the lower performance it will have. A clean magnet surface will allow you to travel faster with better pickup performance.

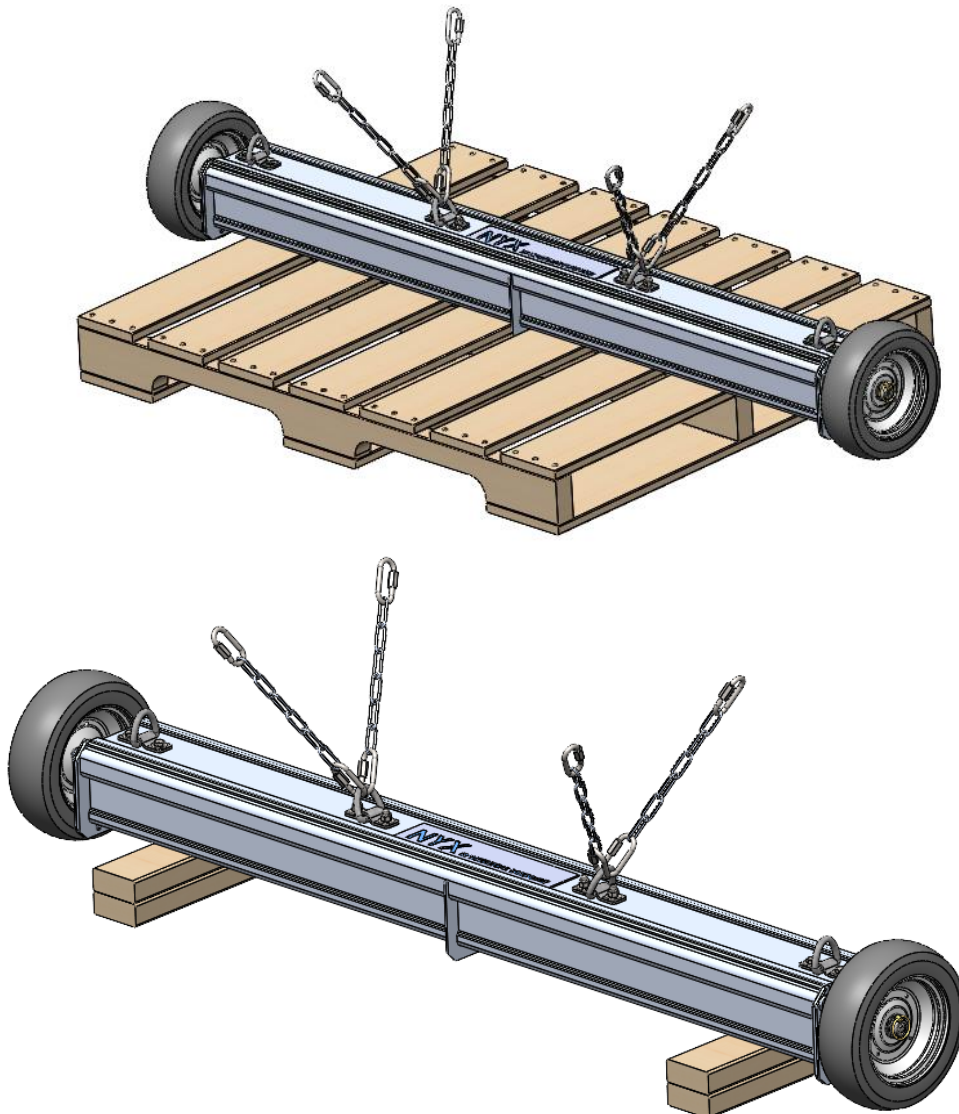


The debris that was collected will be piled up on the ground on one end of the sweeper. Sweep up this debris and place it in a designated scrap or garbage bin. Alternatively, you can use a Bluestreak Powerstik to easily pickup and discard debris. Always wear gloves when handling metal debris to avoid cuts or other injuries.



Step 5: Storing the attachment

The Nyx magnetic sweeper can be taken off the prime mover and stored when not in use. It is recommended that the assembly be stored without debris on it to prevent any chance of galvanic corrosion from collected debris and the aluminum sleeve. When storing for long periods of time it is recommended to place the magnet on a standard 48" x40" pallet. Alternatively, a set of wooden blocks on the ground can be used. It should be raised up off the ground regardless to prevent flat spots in the wheels.



Maintenance

Before Every Use

Check that all fasteners (nuts, bolts, pins, etc) are in their right place and are tight. Inspect and replace any worn, torn or missing safety decals.

Every Month

Inspect all components for signs of damage or fatigue and replace as necessary. Inspect the plastic wear strips on the Aluminum Quick Clean Off Sleeve for damage and replace as necessary.

Every Year

Inspect the attachment for any loose or worn parts that may need to be replaced prior to the next season.

Visually inspect the wheels for heavy wear and aluminum quick clean off sleeve for damage and replace, as necessary.

Clean, sand & repaint any area that looks worn or scratched to prevent further rusting. Use an equipment paint found at your local hardware store or building center.

Replace any stickers that have been lost or damaged.

Store your attachment in a shed or cover with a water-proof tarp if it is stored outside to protect it from the elements. Store in an area not frequented by children.

Storage Tips

It is preferred to store the sweeper in a cool dry place. If it is being stored outside, a waterproof tarp is recommended to cover the entire sweeper. Although the steel parts are painted or powder coated, with use it will get scratched, and chips can occur in the paint. Upon inspection, touch up the bare metal areas to prevent further corrosion and rusting. Additionally, having the aluminum exposed to the elements year-round can cause it to corrode. It is highly recommended to cover the entire sweeper with a tarp for this reason.