

# Operating Instructions

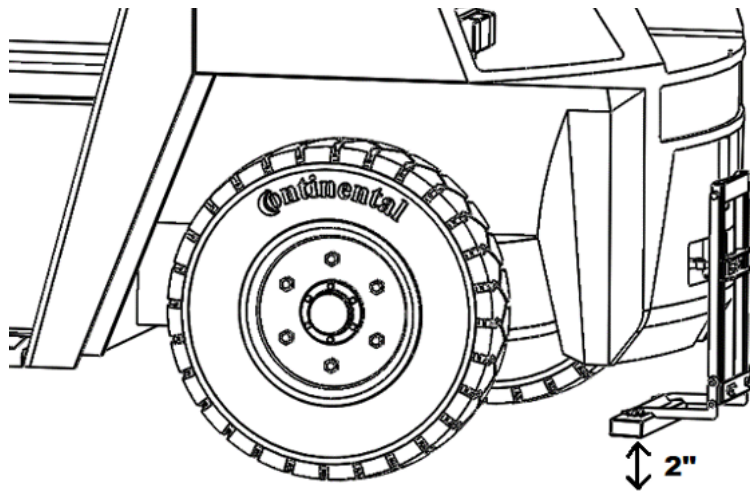
**NAOS**



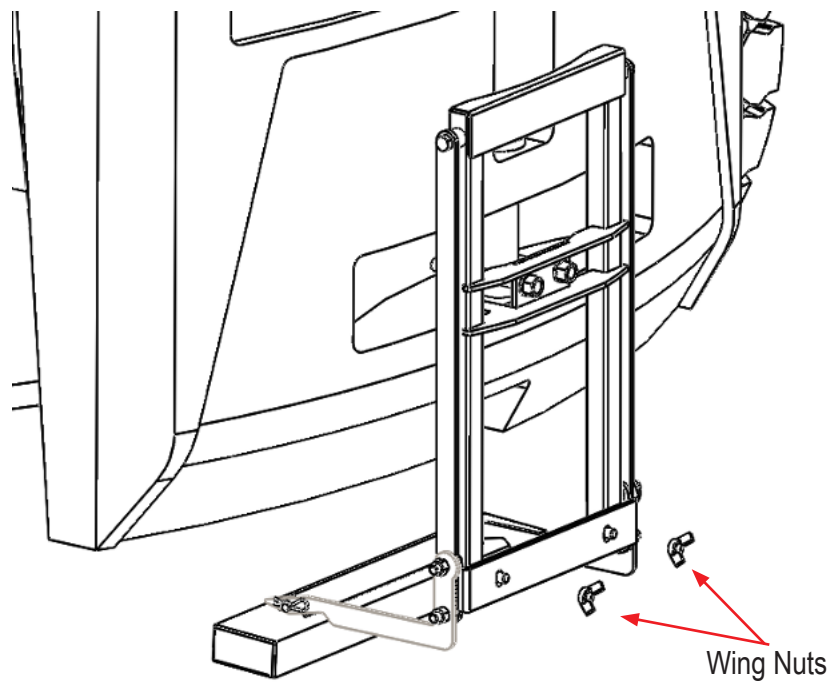
**Bluestreak**equipment  
The world's best magnetic cleaning equipment

Bluestreak Equipment  
1645 Hwy #3, Delhi  
Ontario, Canada  
N4B2W6

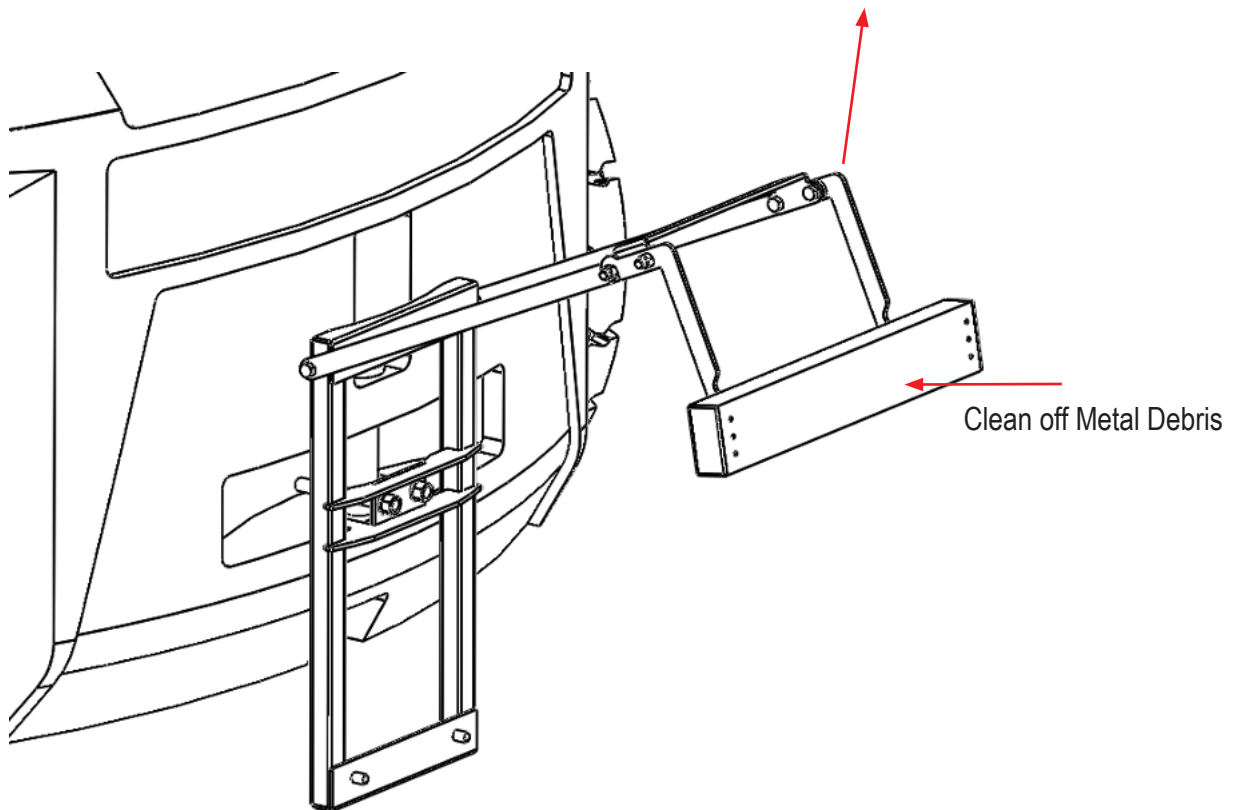
1. Drive around and pick up metal debris. The Bottom of the magnet should be 2" or less above the ground for the best performance.



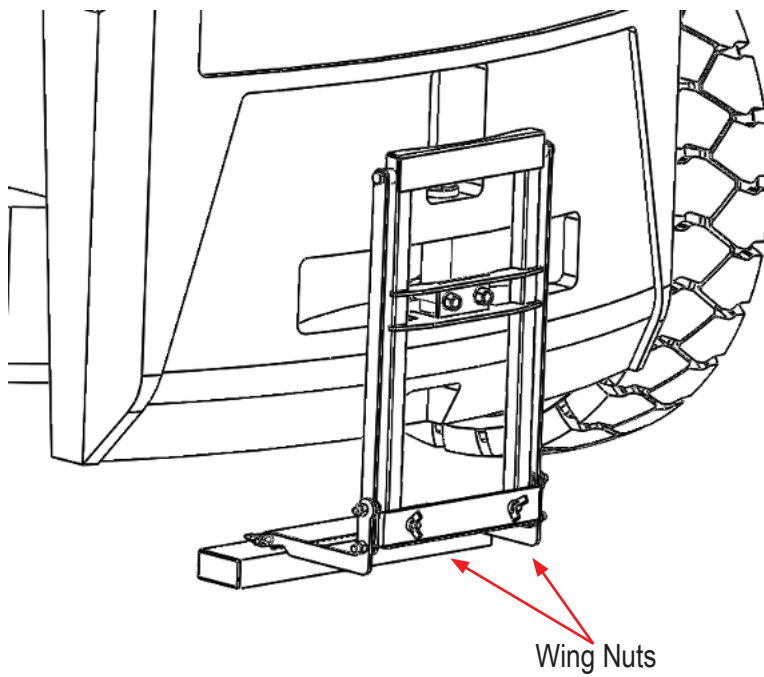
## 2. Stop the Forklift and remove the 2 wingnuts on the back of the Naos Sweeper.



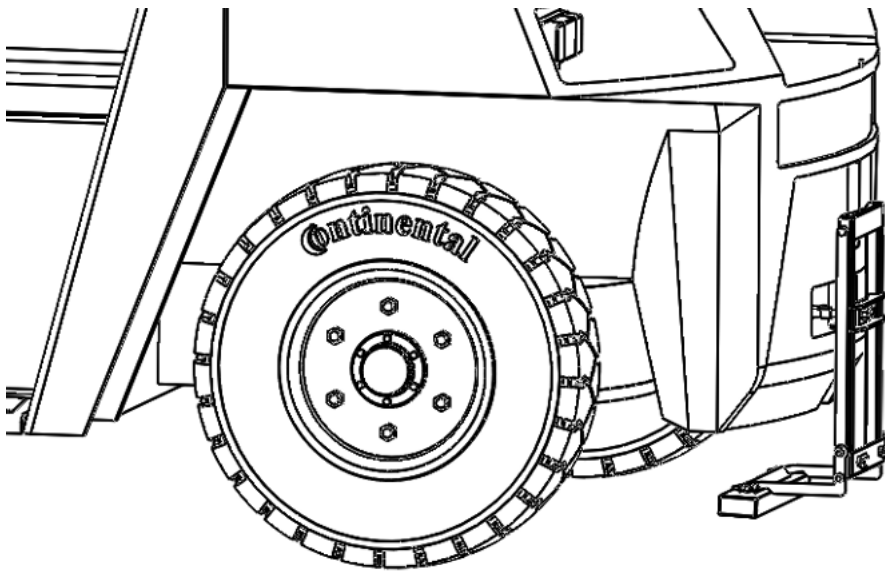
### 3. Swing magnet outwards and up and Clean Metal Debris off bottom (with Glove or Rag).



## 4. Swing Magnet downwards and re-install Wing Nuts firmly.



5. Continue driving around to collect additional metal debris.



---

Bluestreak Equipment • 1645 Hwy #3 • Delhi • Ontario • Canada • N4B2W6  
[www.blustreakequipment.com](http://www.blustreakequipment.com)