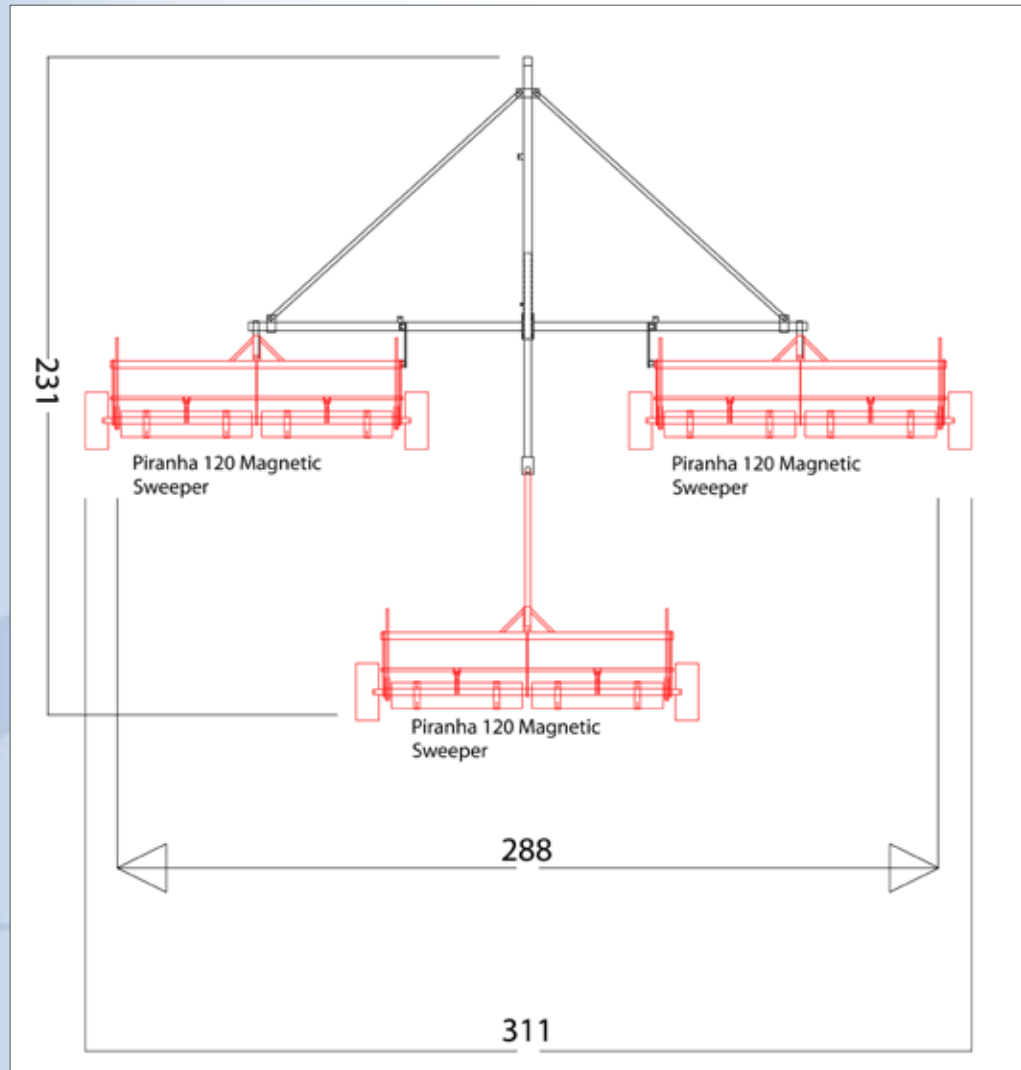


Assembly Instructions

Piranha 120 Multi-Hitch



Bluestreakequipment
The world's best magnetic cleaning equipment

Bluestreak Equipment
1645 Hwy #3, Delhi
Ontario, Canada
N4B2W6

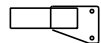
Step 1.

Step One

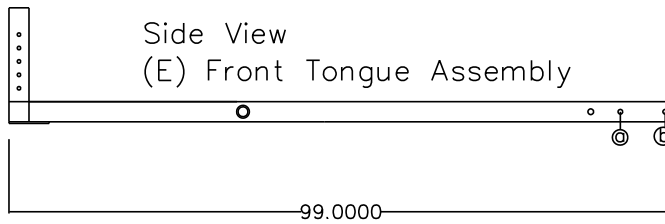
Attach Ball Coupler to (G) Coupler assembly using 2 pcs 1/2" x 4" bolts provided. Attach Safty Chains using 2pcs 3/8' x 1/2" to (G) Couple Assembly (bolts are in chains already)

Attach (G) Coupler assembly to (E) Front Tougue assemble using 3pcs 1/2" x 5" Bolts (you can adjust to proper height at a later time)

(G) Coupler Assembly



Side View



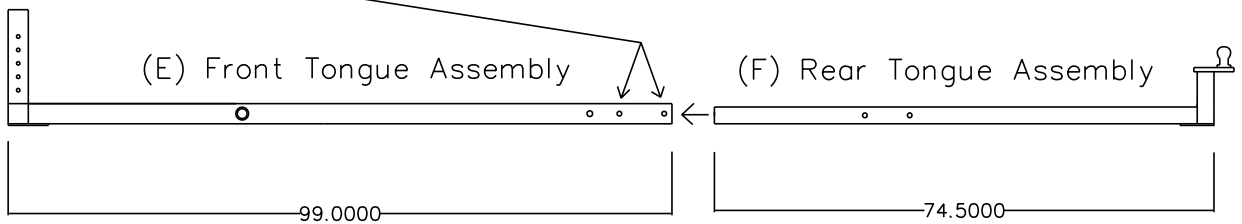
Side View

(E) Front Tongue Assembly

Step 2.

Step two:

Insert (F) Rear Tongue Assembly Into (E) Front Tongue Assembly untill holes line up. (Do not insert Bolts yet)



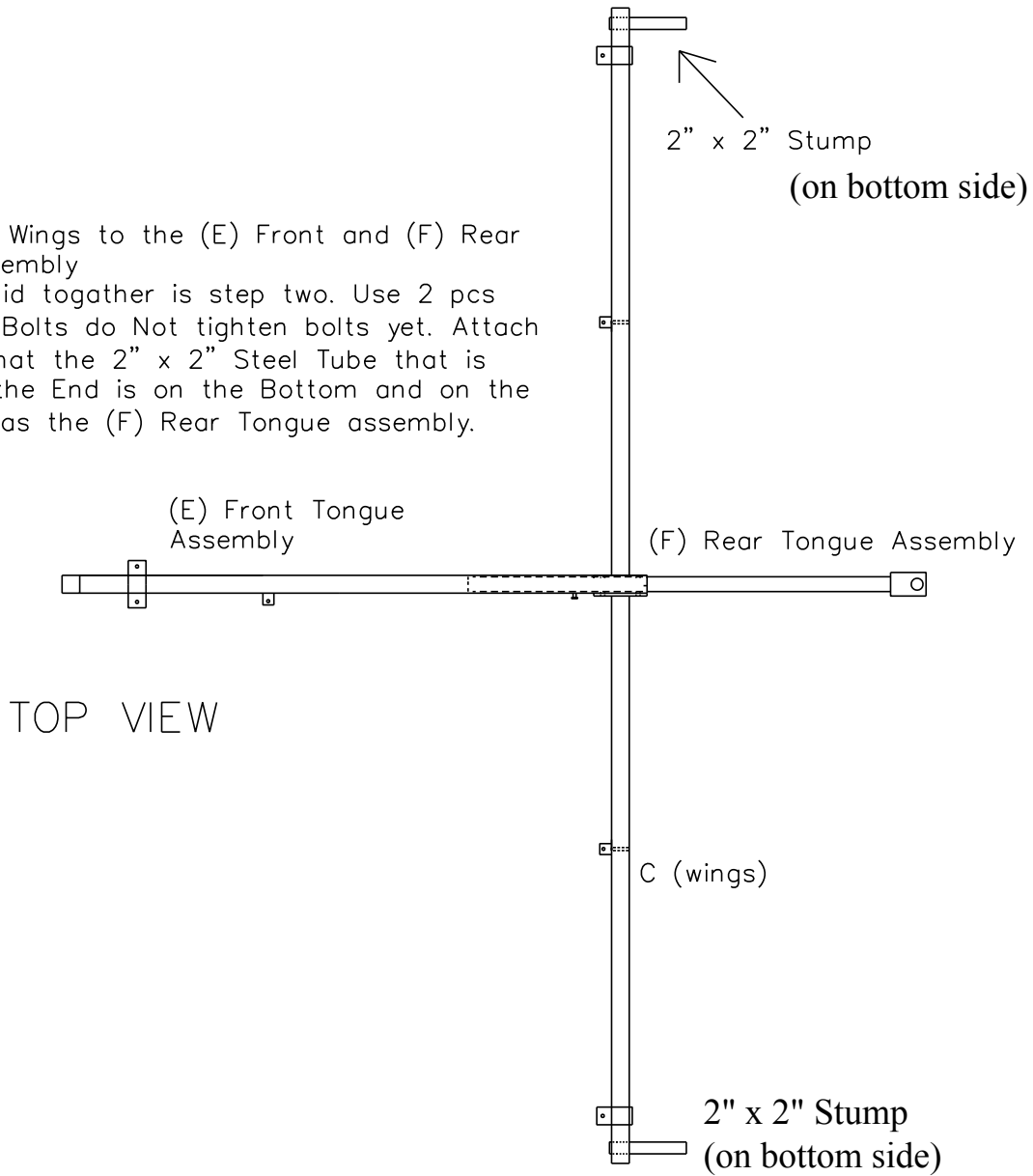
(E) Front Tongue Assembly

(F) Rear Tongue Assembly

Step 3.

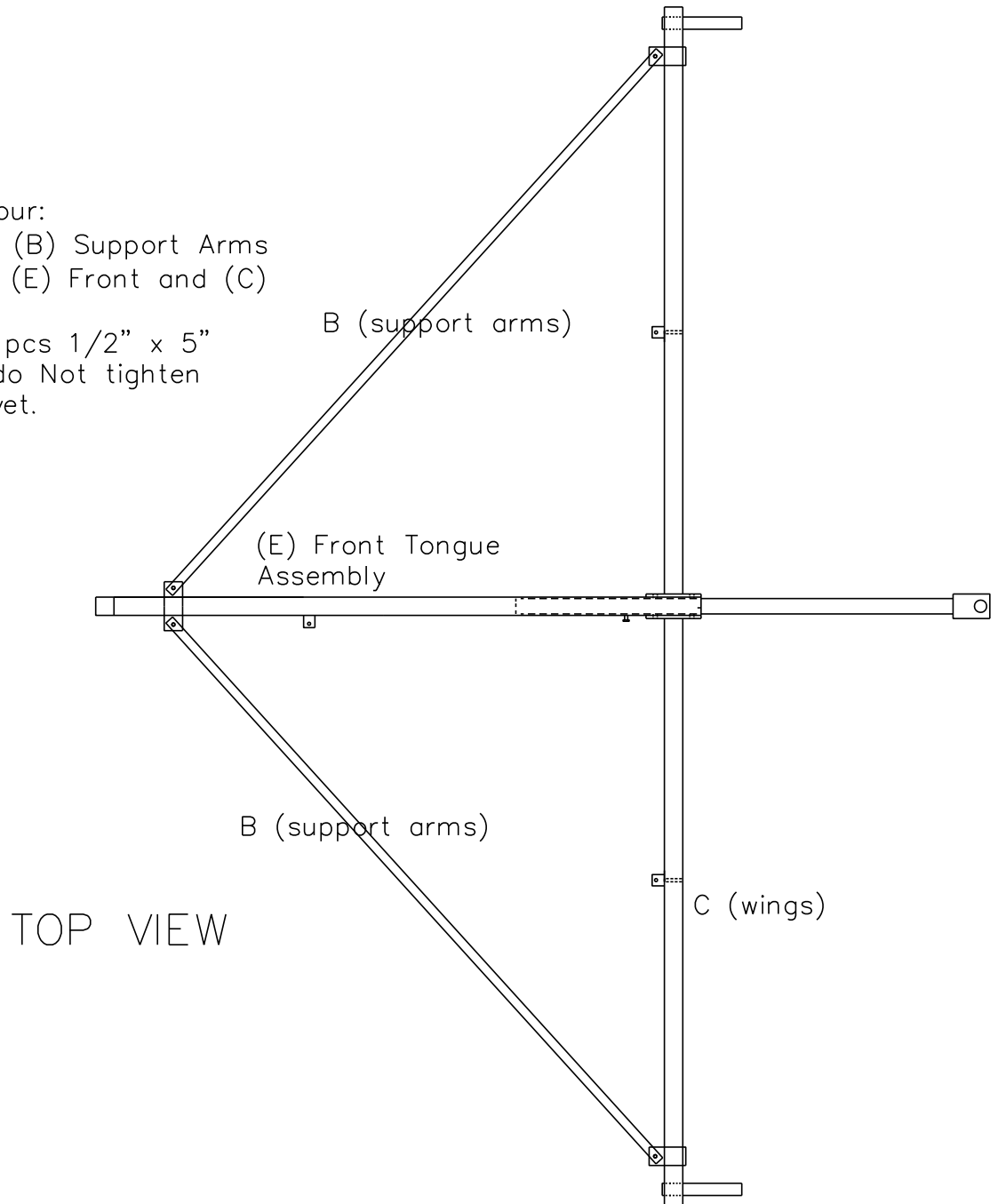
Step three:

Attach (C) Wings to the (E) Front and (F) Rear Tongue assembly that was slid together is step two. Use 2 pcs 5/8" x 5" Bolts do Not tighten bolts yet. Attach Wings so that the 2" x 2" Steel Tube that is welded to the End is on the Bottom and on the same side as the (F) Rear Tongue assembly.



Step 4.

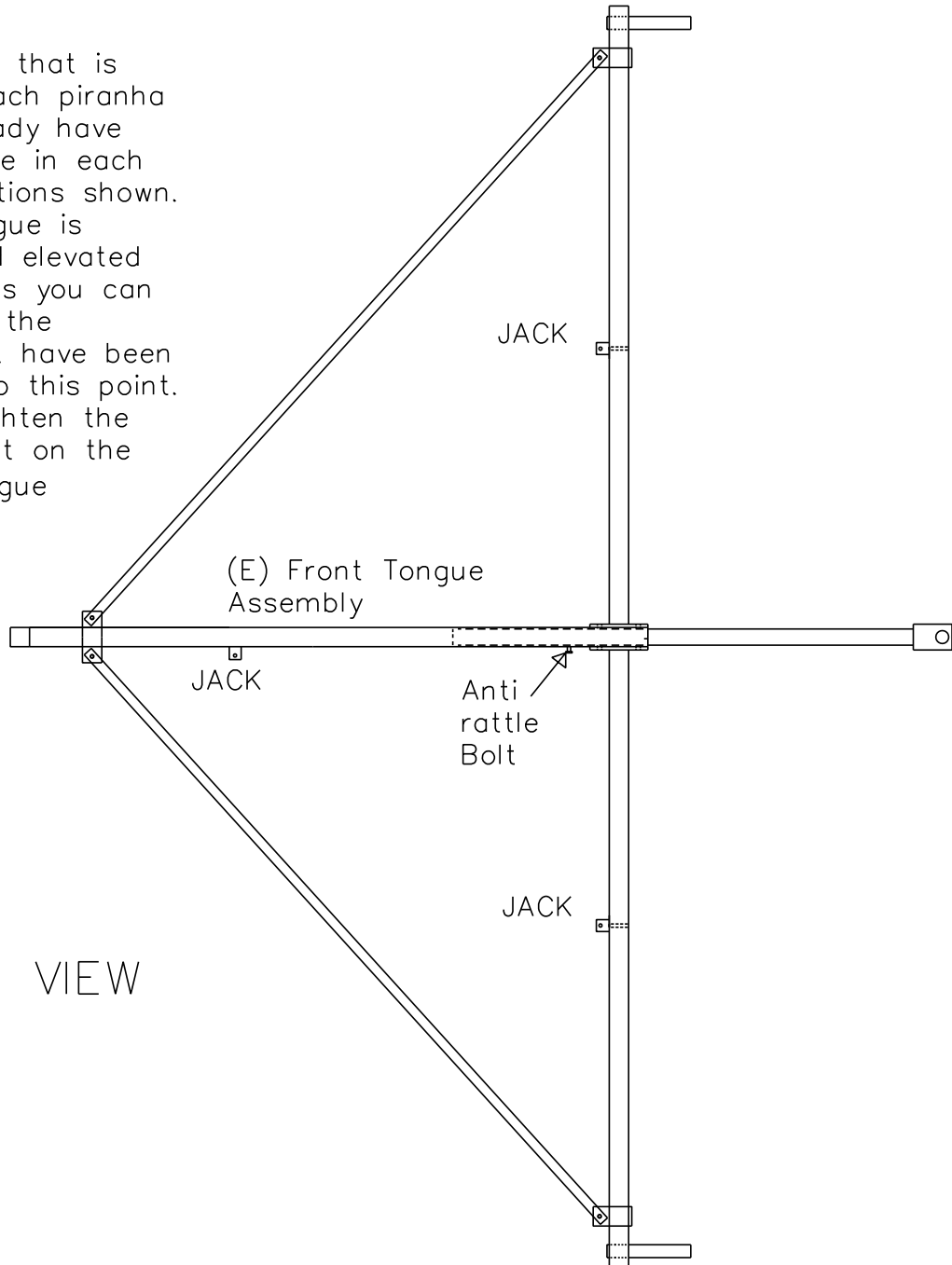
Step four:
Attach (B) Support Arms
to the (E) Front and (C)
Wings
Use 4 pcs 1/2" x 5"
Bolts do Not tighten
bolts yet.



Step 5.

Step five:

Attach a jack that is taken from each piranha that you already have and Mount one in each of the 3 positions shown. Once the tongue is supported and elevated on the 3 jacks you can tighten all of the fasteners that have been installed up to this point. As well as tighten the anti rattle bolt on the (E) Front Tongue Assembly

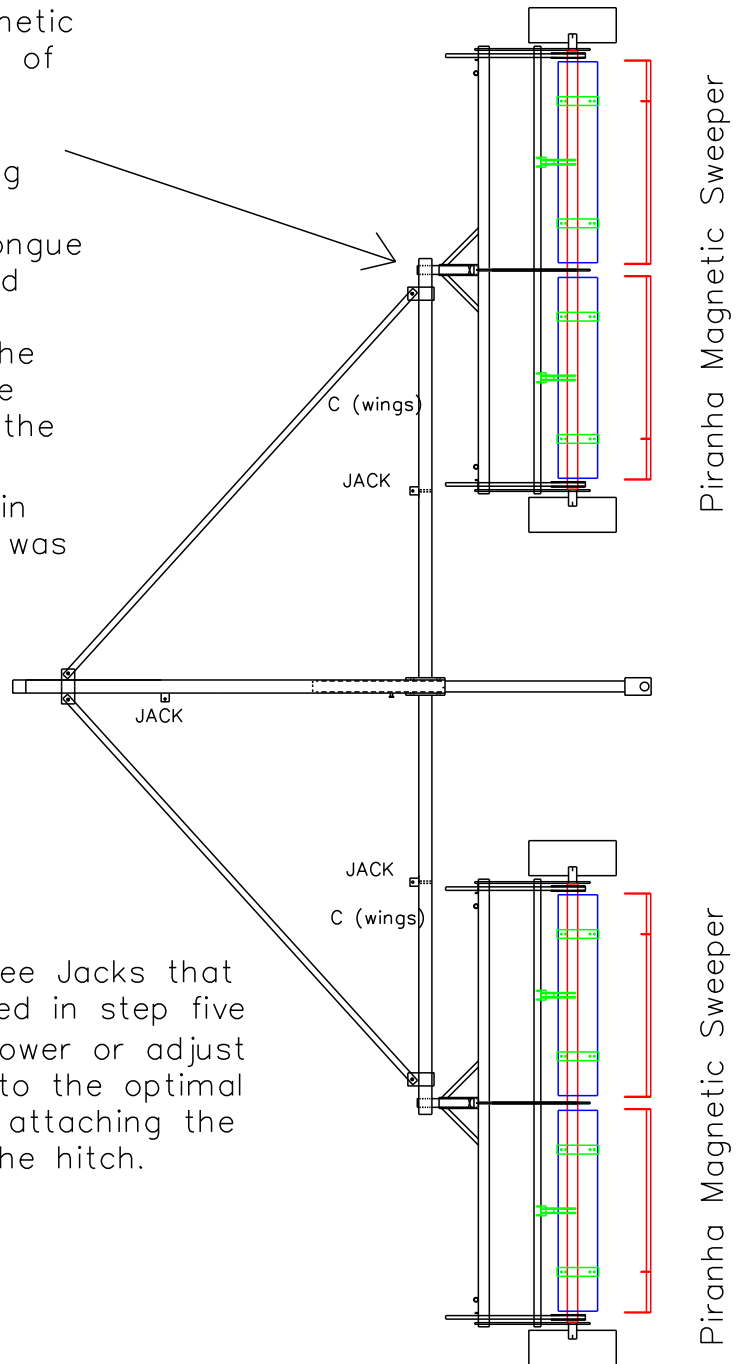


Step 6.

Step Six:
 Attach 2 Piranha Magnetic Sweepers on each end of (C) Wings. Use the Sweepers that were attached to the trailing arms on the original design. Remove the tongue from each sweeper and guide the tongue attachment point of the sweeper overtop of the stump on the end of the (C) Wings
 (Use the 1/2" hitch pin from the tongue that was removed to attach)

TOP VIEW

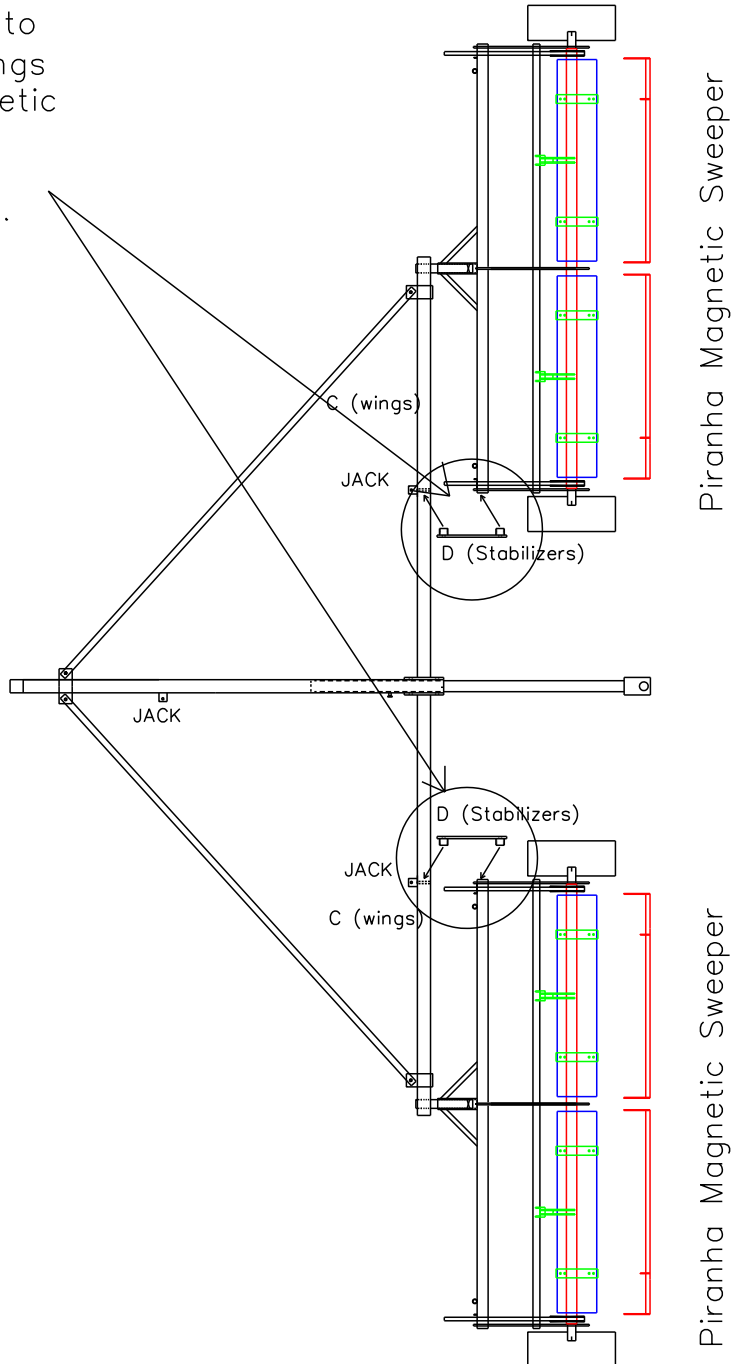
Note:
 Use the Three Jacks that were mounted in step five to raise / lower or adjust the hitch into the optimal position for attaching the trailers to the hitch.



Step 7.

Step Seven:
 Attach (D) Stabilizers to
 The Bottom of (C) Wings
 and The Piranha Magnetic
 Sweeper.
 Note: This has to be
 installed and tightened.

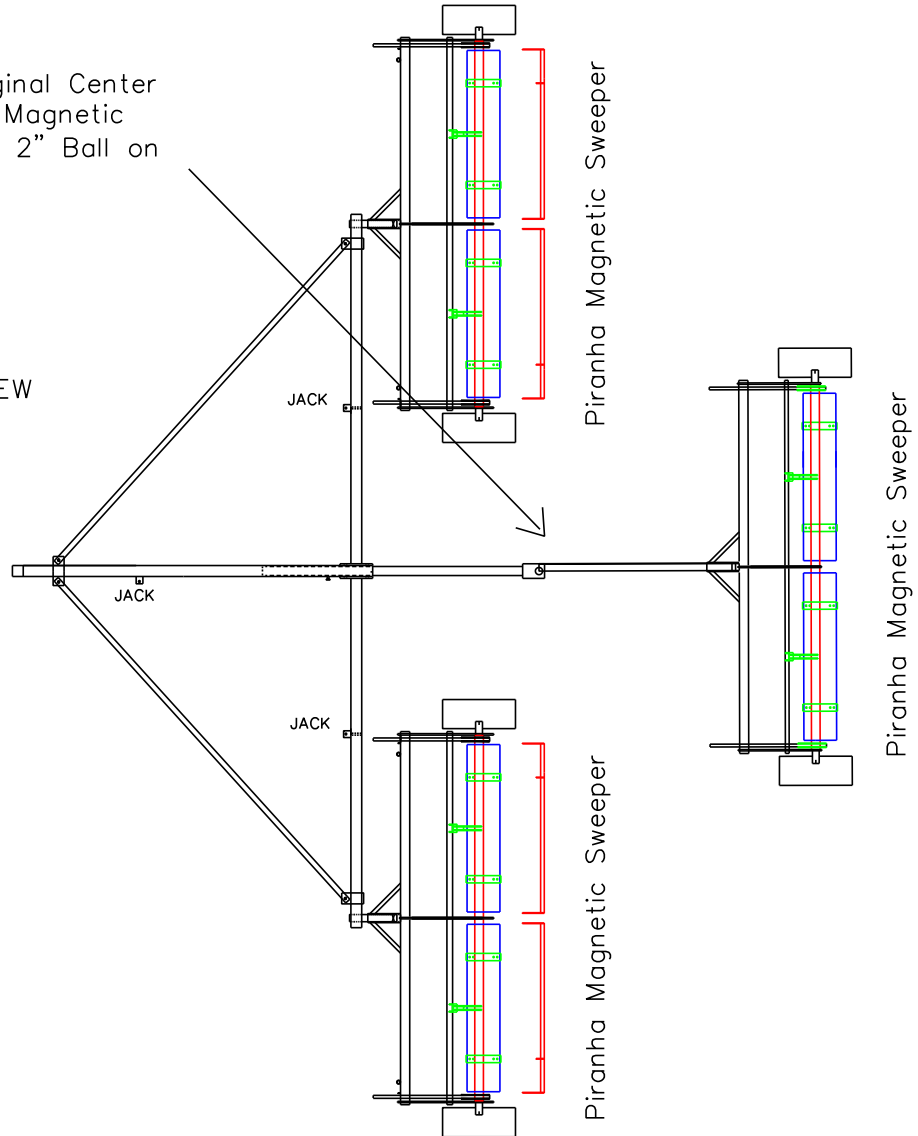
TOP VIEW



Step 8.

Step Eight:
Attach the original Center
Trailer Piranha Magnetic
sweeper to the 2" Ball on the

TOP VIEW



Step 9.

Step Nine:
Raise the jacks on the (C) wings and stow them securely. Attach coupler and adjust height position so the the entire hitch assembly is horizontal with the ground.

