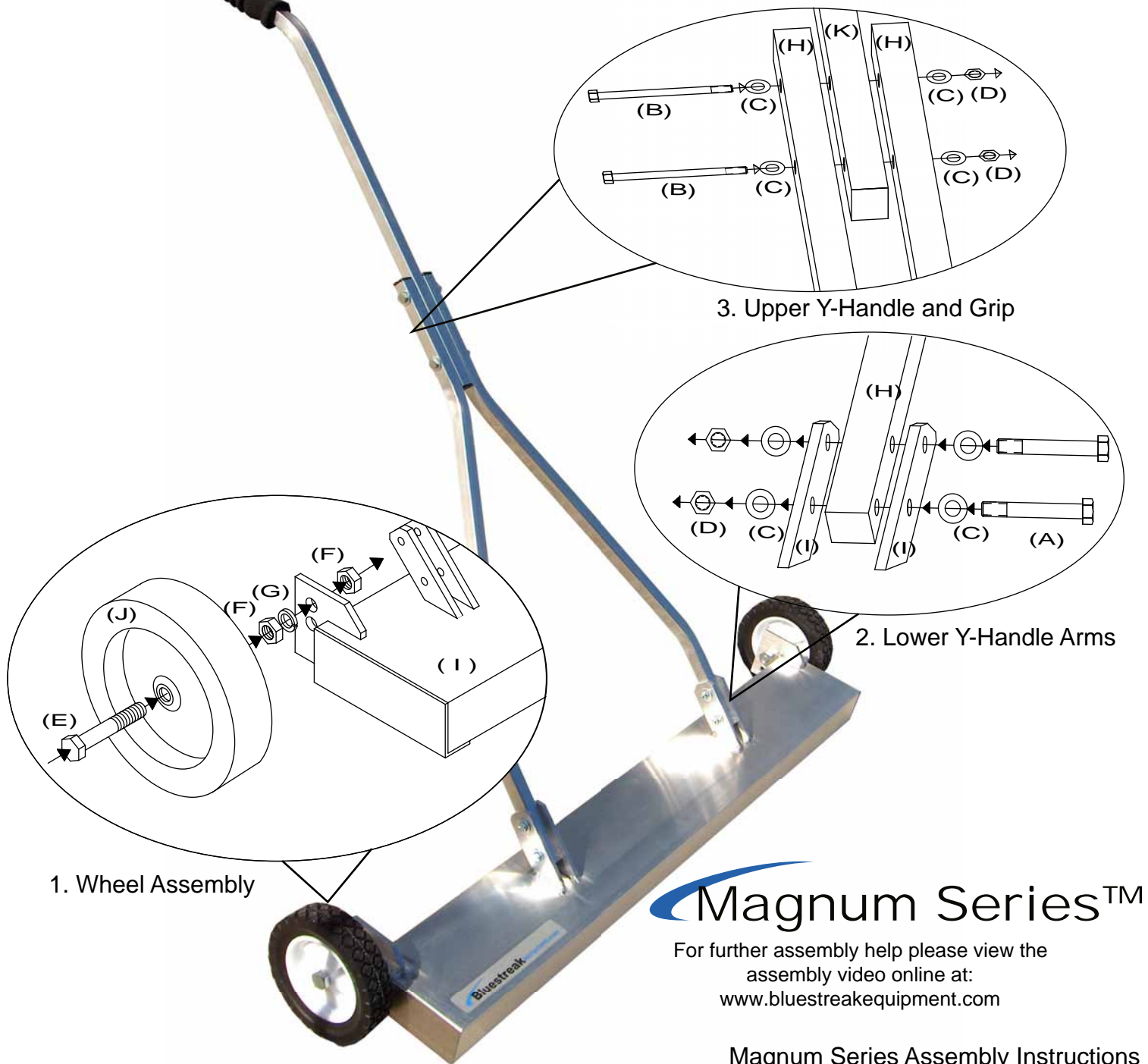


Assembly Instructions



1. Wheel Assembly

3. Upper Y-Handle and Grip

2. Lower Y-Handle Arms

Magnum Series™

For further assembly help please view the assembly video online at:
www.bluestreakequipment.com

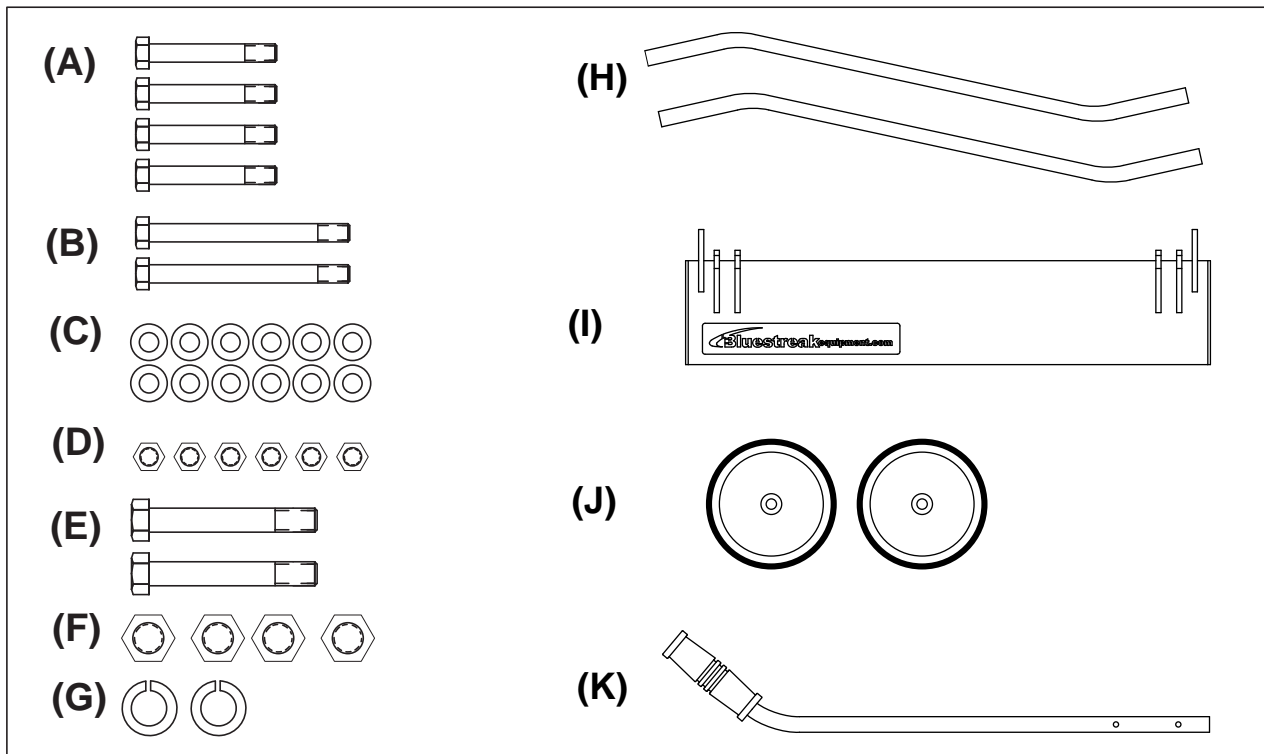
Magnum Series Assembly Instructions

(1) WHEEL ASSEMBLY- Insert $\frac{1}{2}$ " x 3" Hex Bolt (Item E) through 6" Wheels (Item J). Then tighten on $\frac{1}{2}$ " Hex nut (Item F) and insert through $\frac{1}{2}$ " lock washer (Item G), through hole of desired height on Magnetic Sweeper Assembly (Item I) and through $\frac{1}{2}$ " Hex Nut (Item F). Tighten firmly using two $\frac{3}{4}$ " wrenches. Repeat for opposite side.

(2) LOWER Y-HANDLE ATTACHMENT - Lower Y-handle Arms (Item H) are installed in between the uprights of the Magnetic Assembly (Item I). Attach Lower Y-handle Arms (Item H) to Magnetic Assembly (Item I) Using 4 Hex Bolts (Item A), 8 Washers (Item C), and 4 Hex Nuts (Item D). Do not tighten bolts until completing step (3).

(3) UPPER Y-HANDLE ATTACHMENT- Attach Upper Y-handle and Grip (Item K) to Lower Y-handle Arms (Item H) using 2 Hex Bolts (Item B), 4 Washers (Item C), and 2 Hex Nuts (Item D). All bolts can now be tightened firmly using two $\frac{7}{16}$ " wrenches.

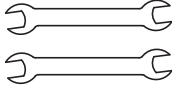
What's in the box



Item	Quantity	Description
(A)	4pcs	1/4" x 1 3/4" Hex Bolts
(B)	2pcs	1/4" x 2 3/4" Hex Bolts
(C)	12pcs	1/4" Washers
(D)	6pcs	1/4" Hex Nuts
(E)	2pcs	1/2" x 3" Hex Bolts
(F)	4pcs	1/2" Hex Nuts
(G)	2pcs	1/2" Lock Washers
(H)	2pcs	Lower Y-handle Arm
(I)	1pc	Magnetic Sweeper Assembly
(J)	2pcs	6" Wheels
(K)	1pc	Upper Y-handle and Grip

Tools Needed:

7/16" wrench x 2



3/4" wrench x 2

