

# Operating Instructions



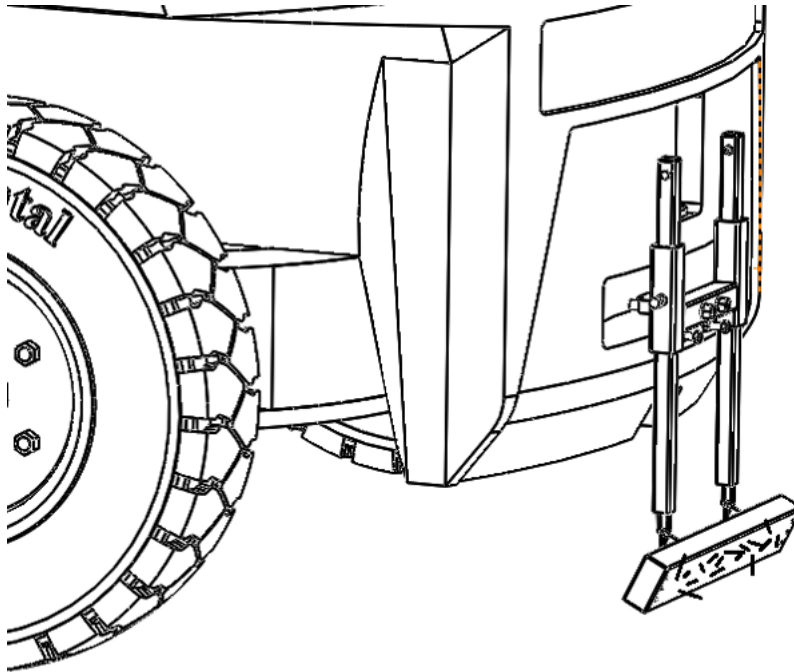
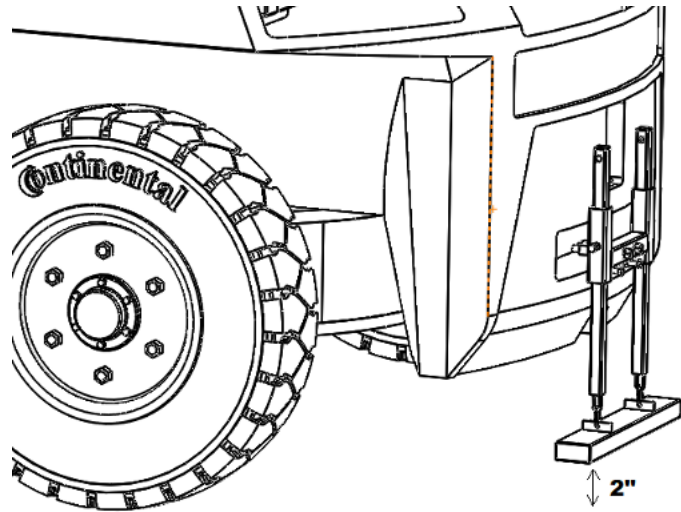
**Bluestreak**equipment  
The world's best magnetic cleaning equipment

Bluestreak Equipment  
1645 Hwy #3, Delhi  
Ontario, Canada  
N4B2W6

# The Kursk Operating Instructions

## Step 1

Drive around and pick up metal debris. The Bottom of the magnet should be 2" or less above the ground for the best performance.



## Step 2

Stop the Forklift and remove the metal debris from the bottom of the magnet. The magnet can be easily cleaned off with a rag or glove (for safety).

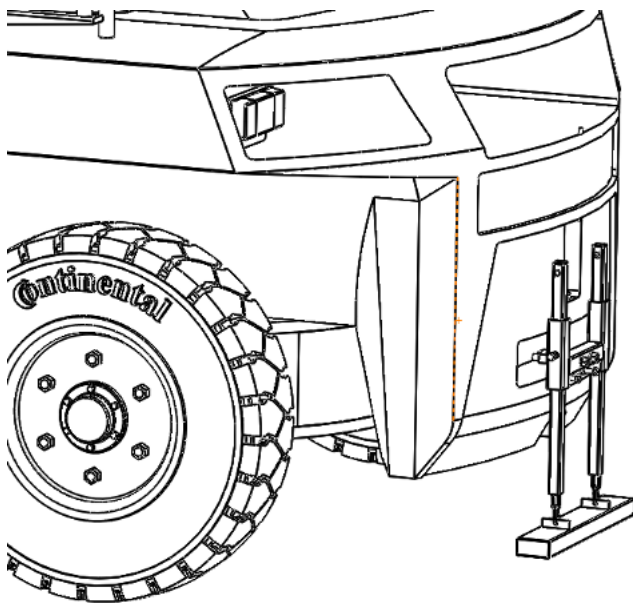
Metal Debris



# The Kursk Operating Instructions

## Step 3

Continue driving around to collect additional metal debris.



---

Bluestreak Equipment • 1645 Hwy #3 • Delhi • Ontario • Canada • N4B2W6  
[www.blustreakequipment.com](http://www.blustreakequipment.com)