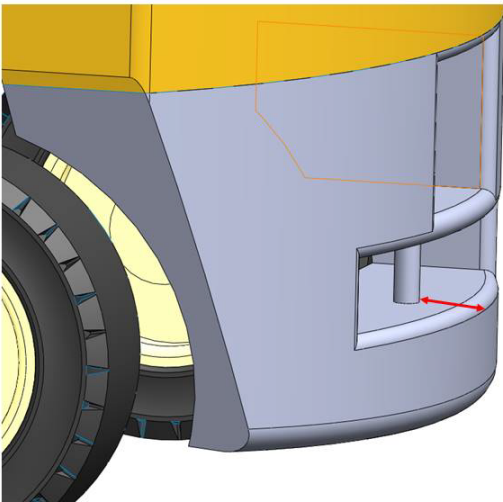
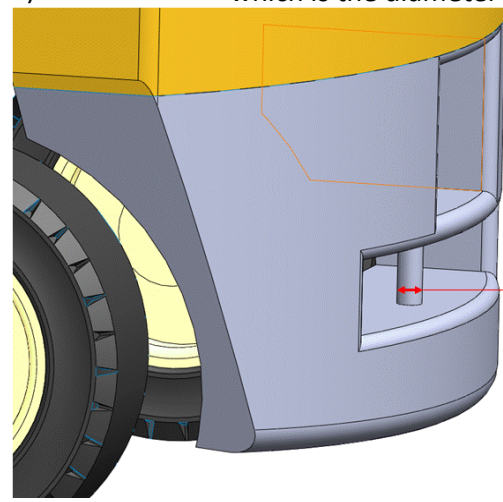


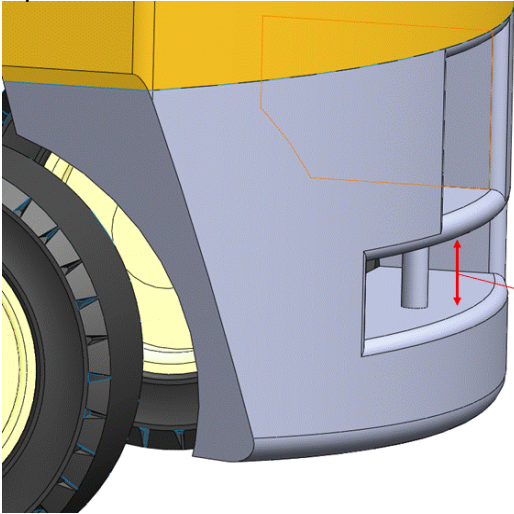
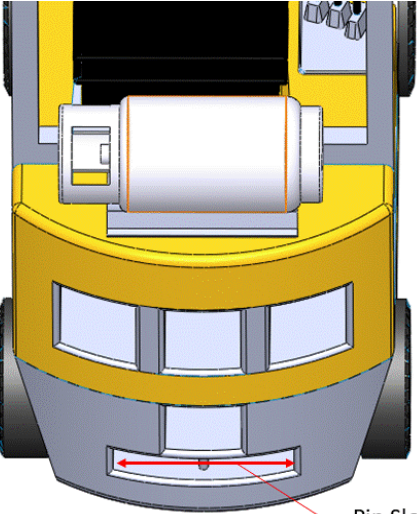


FIT Guidelines

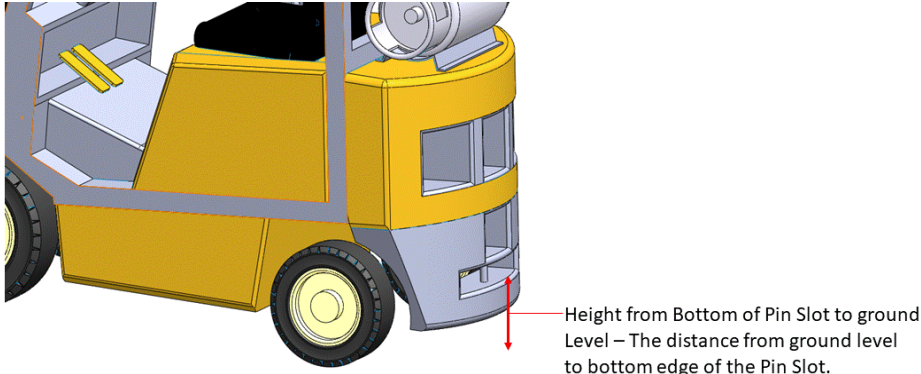
To ensure the Kursk will fit your Forklift measure these 6 dimensions on your forklift and compare them to the Min and Max measurements allowable in the table below;

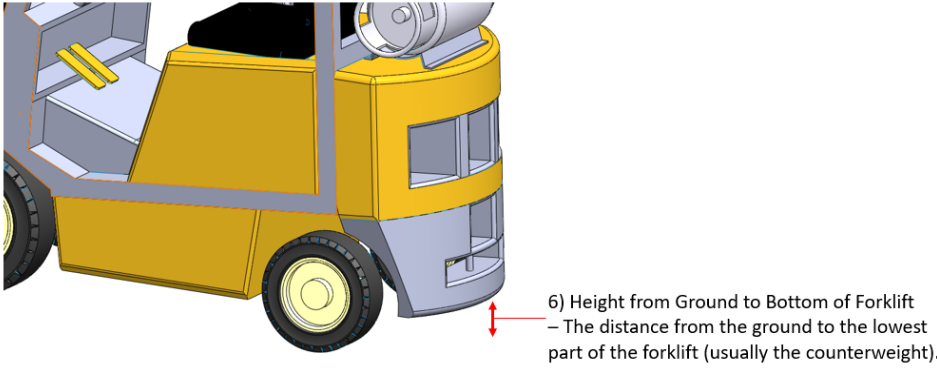
Forklift Dimensions	Minimum	Maximum
<p>1) Pin Depth - which is measured from the back edge of the forklift at the PIN slot to the closest front edge of the PIN hole.</p>  <p>Pin Depth - Measured from the back edge of the Forklift at the Pin slot to the closest front edge of the Pin hole.</p>	5/8 inches	5 inches
<p>2) Pin Diameter - which is the diameter of the forklift PIN</p>  <p>Pin Diameter - The diameter of the forklift Pin.</p>	5/8 inch (0.625 inch)	1 and 5/8 inches (1.625 inches)

Kursk™ Series - FIT Guidelines

Forklift Dimension	Minimum	Maximum
<p>3) Pin Slot Height— which is the measured height of the PIN slot from top to bottom</p>  <p>Pin Slot Height – The height of the Pin slot from top to bottom.</p>	<p>1 and 3/8 inches</p>	<p>4 and 3/4 inches</p>
<p>4) Pin Slot Width— which is the measured width of the PIN slot from side to side at the back of the forklift</p>  <p>Pin Slot Width – The width of the Pin slot from side to side at the back of the forklift.</p>	<p>4 and 5/8 inches</p>	<p>no restriction on maximum</p>

Kursk™ Series - FIT Guidelines

Forklift Dimension	Minimum	Maximum
<p>5) Height from bottom of Pin Slot to ground level – measure up from the ground to bottom edge of the Pin slot.</p> 	<p>6 and 3/4 inches</p> <p>(equals dimension A below plus 2 inches to provide the recommended sweeping height of 2 inches) This minimum dimension would result in a magnet sweeping height of 2 inches off the ground.</p>	<p>20 and 1/2 inches</p> <p>(equals dimension A below plus 2 inches to provide the recommended sweeping height of 2 inches) This maximum dimension would result in a magnet sweeping height of 2 inches off the ground.</p>

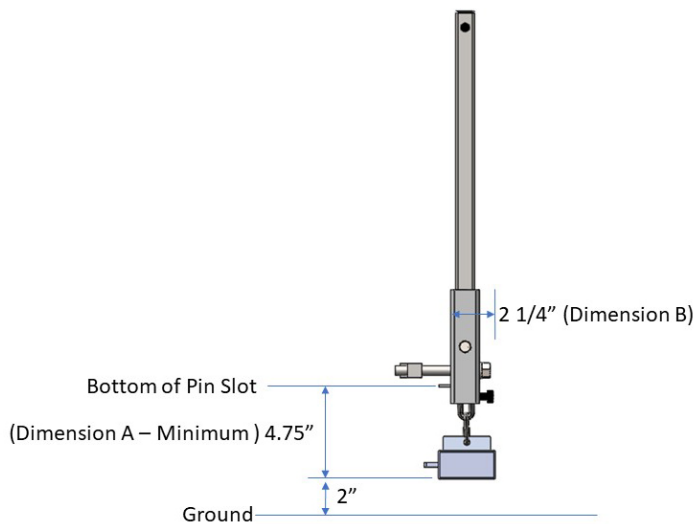
Forklift Dimension	Minimum	Maximum
<p>6) Height from Ground to Bottom of Forklift - The distance from the ground to the lowest part of the forklift (usually the counterweight).</p> 	<p>4 and 1/4 inches</p>	<p>no restriction on maximum</p>

Kursk Dimensions

The below dimensions are two of the dimensions of the Kursk product.

Kursk Dimensions	Minimum	Maximum
A) Height from bottom of Pin Slot to bottom most edge of magnet	4 and 3/4 inches (this dimension is adjustable on the Kursk and this is the minimum retracted dimension, see CAD drawings for further details)	18 and 1/2 inches (this dimension is adjustable on the Kursk and this is the maximum extended dimension, see CAD drawings for further details)
B) Width from back of forklift at Pin location to furthest most outside back edge of Kursk	2 and 1/4 inches (this dimension is the addition to the overall length of the forklift resulting from the Kursk installation, see CAD drawings for further details)	2 and 1/4 (this dimension is the addition to the overall length of the forklift resulting from the Kursk installation, see CAD drawings for further details)

KURSK SERIES
Minimum Retracted Dimensions (side view)



KURSK SERIES
Maximum Extended Dimensions (side view)

