

# Towable Magnetic Sweepers - Hog Series™

## Rental sweeper for rough terrain!

Specifically designed for the rental industry to keep roadways and construction sites free of ferrous metal debris.



# Hog Series



**Bluestreak**equipment  
The world's best magnetic cleaning equipment  
[www.bluestreakequipment.com](http://www.bluestreakequipment.com)

### Rental Needs/Problems

### Hog Solutions

<p><b>Durability</b> Equipment needs to be durable and require no maintenance.</p>	<ul style="list-style-type: none"><li>• Flat proof Carlisle tires 10" x 3".</li><li>• Heavy duty steel frame construction.</li></ul>
<p><b>Power</b> Magnet needs to be able to pull debris out of dirt, debris and foliage cover.</p>	<ul style="list-style-type: none"><li>• 2 layers of magnets that produce a maximum lifting height of 6 1/2" using 2 1/2" nails.</li><li>• Height adjustability settings from 1" to 4" using top tube adjustment to maximize effectiveness.</li><li>• "Wrap Around" design that won't let debris go even when debris is pushed back on bottom of sweeper by grass or dirt. Debris simply "wraps around" and snaps on back of sweeper.</li><li>• Optional Debris Digging Rake to loosen up debris and increase magnet effectiveness.</li></ul>
<p><b>Easy and Safe</b> Rental users want a tool that is safe and easy to use.</p>	<ul style="list-style-type: none"><li>• Simple hitch pin with attaches to small tow vehicles easily.</li><li>• Adjustable top link easily adjusts sweeping height from 1" to 4".</li></ul>

# Hog Specifications



## Product Name

Hog- Towable Magnetic Sweeper

## Sweeping Width

Available in 5' length

## Height of Sweeper Magnetic Housing

Available in 3"

## Face Depth of Sweeper Magnetic Housing

Available in 3"

## Magnet Dimensions Inside Housing

Hog 62(3"x 3") - 60"L x 2"H x 2 1/2"W

## Ground Clearance

1" - 4" (refer to height adjustability)

## Total Product Weight

Hog 62(3"x 3")- 128 lb

## Lifting Weight (measured in 2.5" 8 penny nails)

Hog 62(3" x 3") - 50lb

## Cleaning Method

Wipe with glove or rag

## Tires

Flat proof Carlisle 10" x 3"

## Height Adjustability

1" - 4" inches continuous adjustment by turning top link

## Tongue Weight

Hog 62 - 10 lbs

## Frame Construction

Steel

## Housing Construction

1/8" Aluminum

## Magnetic Surface Area (square inches)

Hog 62(3" x 3") - 150 sq. in.

## Maximum Lifting Height (measured in 2.5" 8 penny nails)

6"

## Maintenance Requirements

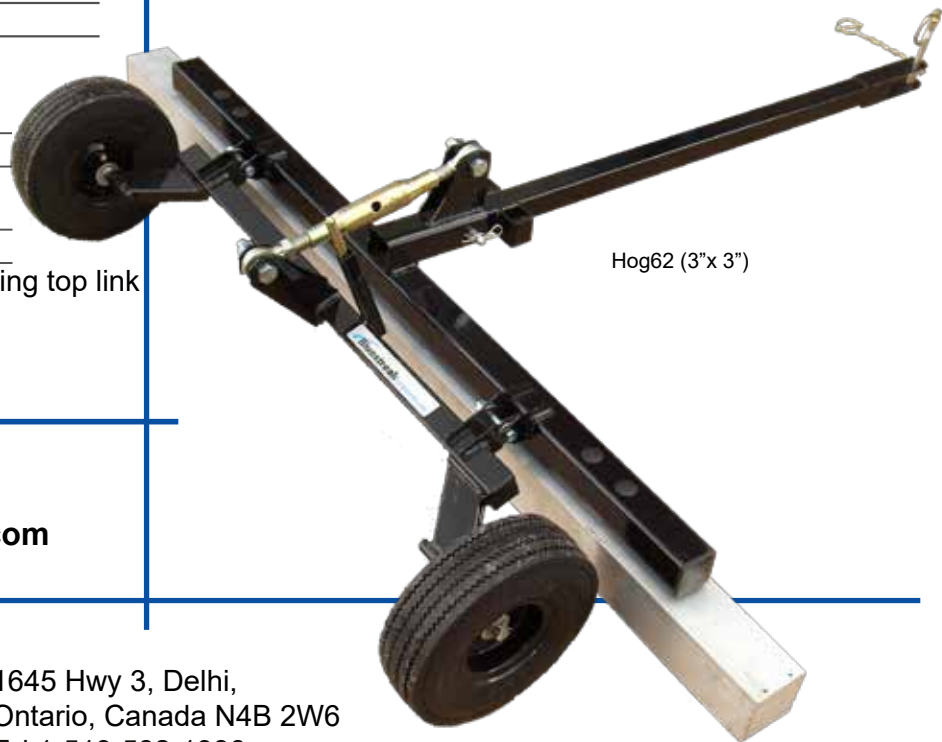
Grease fittings on wheel bearings

## Maximum Operation Speed

5 mph/8kph at 3" height

## Accessories

Debris Digging Rake



Hog62 (3"x 3")

See this product in action.

View a demo on line.

Visit us at [www.bluestreakequipment.com](http://www.bluestreakequipment.com)

**Bluestreak**equipment  
The world's best magnetic cleaning equipment

**Hog Series**



1645 Hwy 3, Delhi,  
Ontario, Canada N4B 2W6

Tel:1-519-582-1386

Fax:1-519-582-2579

email: [sales@bluestreakequipment.com](mailto:sales@bluestreakequipment.com)

web site: [www.bluestreakequipment.com](http://www.bluestreakequipment.com)

\*The manufacturer reserves the right to modify the product at any time, without prior notice.