

# Assembly Instructions

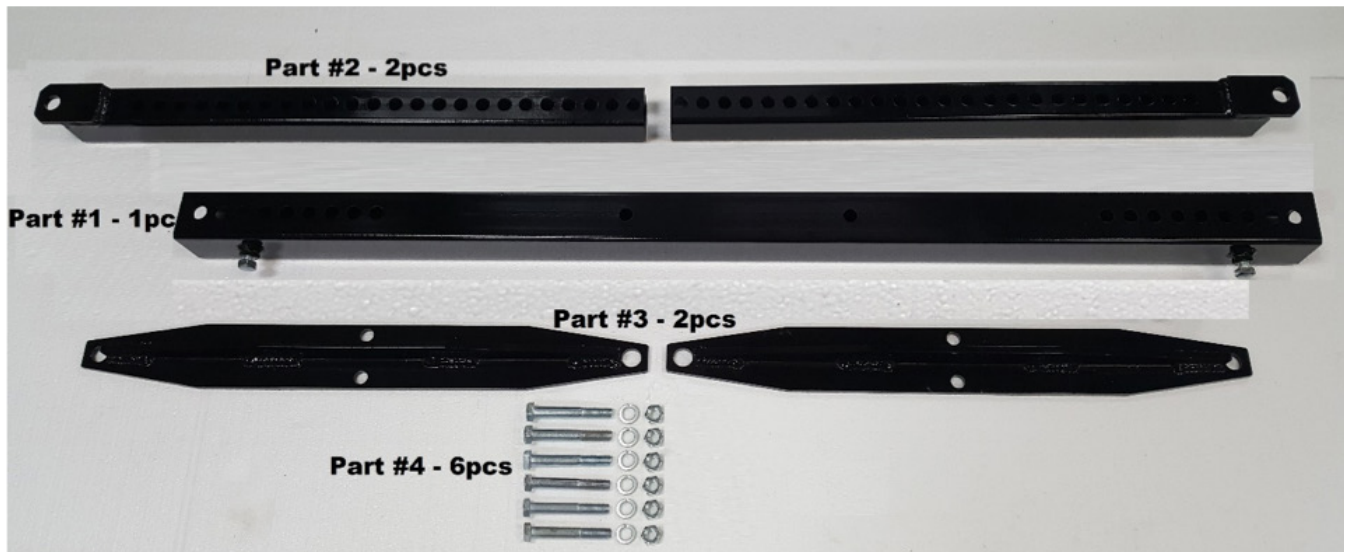


## Hanging Bracket C

 **Bluestreak**equipment MAGNETICS  
APPLICATION DRIVEN DESIGN

Bluestreak Equipment  
1645 Hwy #3, Delhi, Ontario, Canada N4B 2W6

# What's in the Box



Part #1 - 50" Steel Tube - 1pc

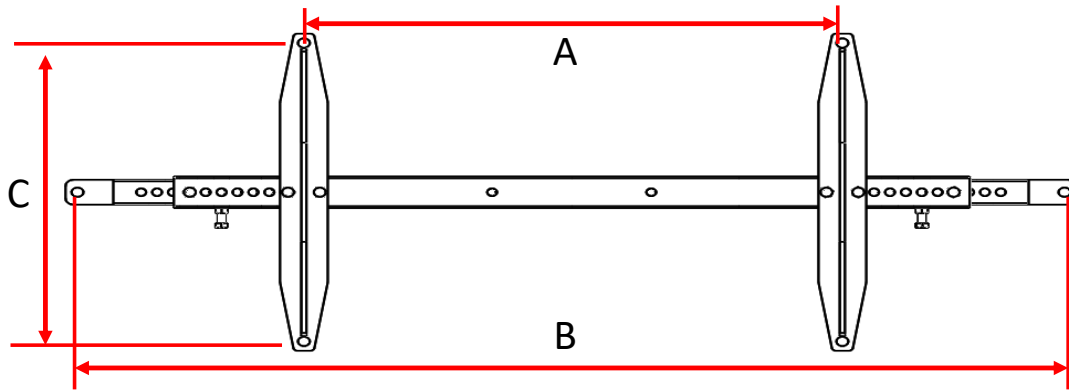
Part #2 - 27" Steel Tube - 2pcs

Part #3 - Steel Mounting Plates - 2pcs

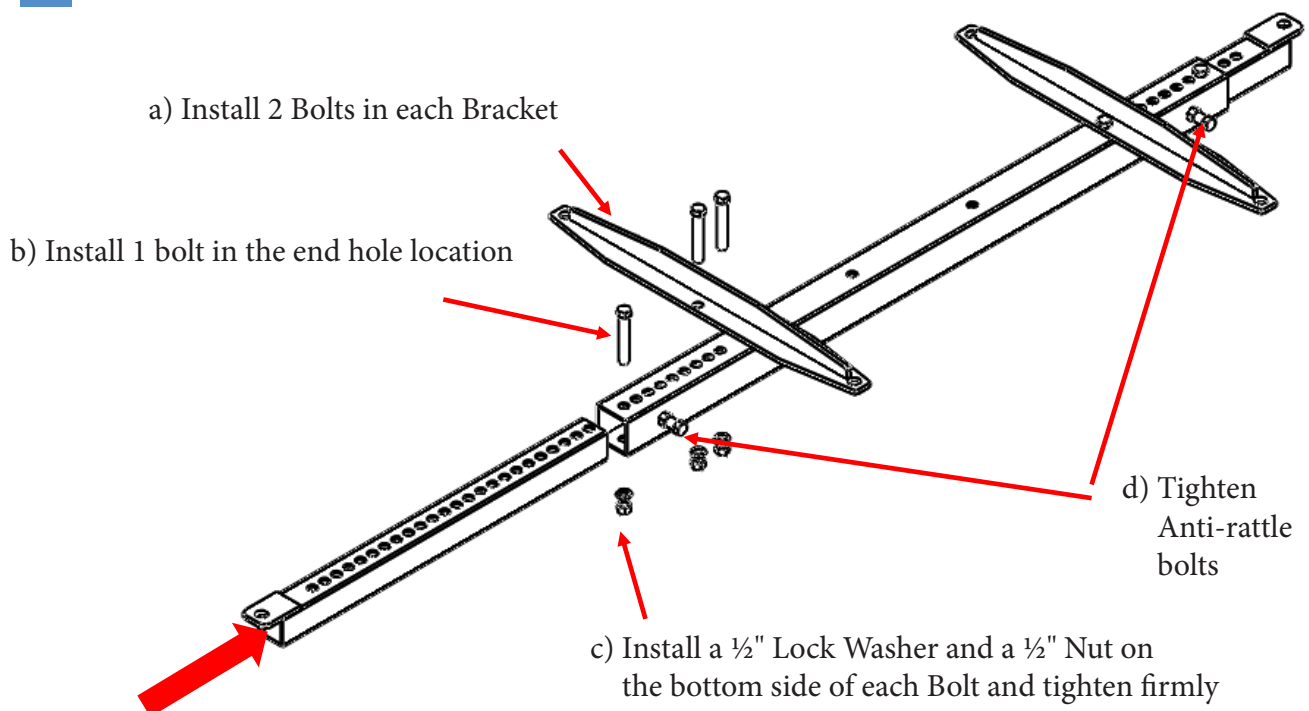
Part #4 - 0.5" x 3.5" Bolt w/ lock washer and nut - 6pcs

# Assemble Hanging Bracket

Assemble the Bracket so the distance between hole centers A and B are the distances indicated in the table at the end of this document. Select the model of Magnetic Sweeper you purchased and assemble the bracket to these dimensions. If the exact measurement is not available adjust to the nearest size.

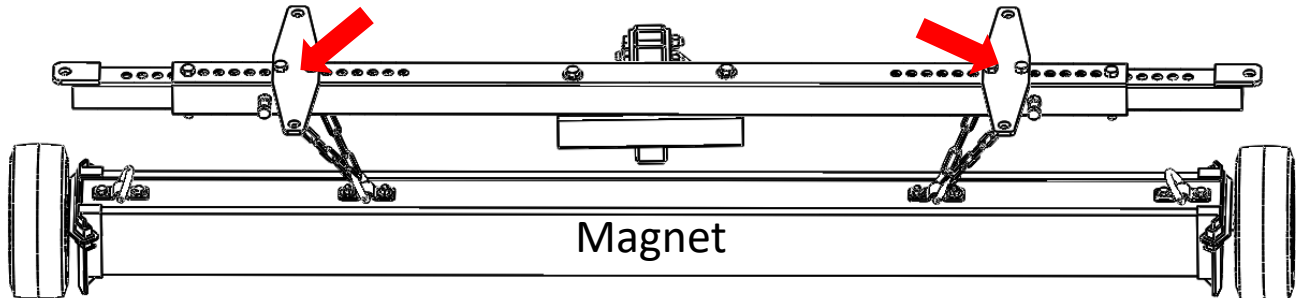


## Assembly Details



## Helpful Tips

After your Suspension Bracket is attached to the vehicle by way of additional accessories purchased from Bluestreak, or by way of your own additional fabrication you need to suspend the magnet from the Bracket. Use the assembly/ installation instructions provided with your magnetic sweeper.



All Magnets should primarily be suspended with 4 chains from the Steel Mounting Plates (Part #3) as shown above. Wheeled sweepers are typically recommended to have the wheels set up  $\frac{1}{2}$ " off of the ground, and non wheeled sweepers should always be kept as close to the ground as possible without hitting the ground when moving.

Additional suspension points on the ends of the Bracket are provided primarily for sweepers with lifting actuators to attach to. However you may use them to attach additional hanging chains.



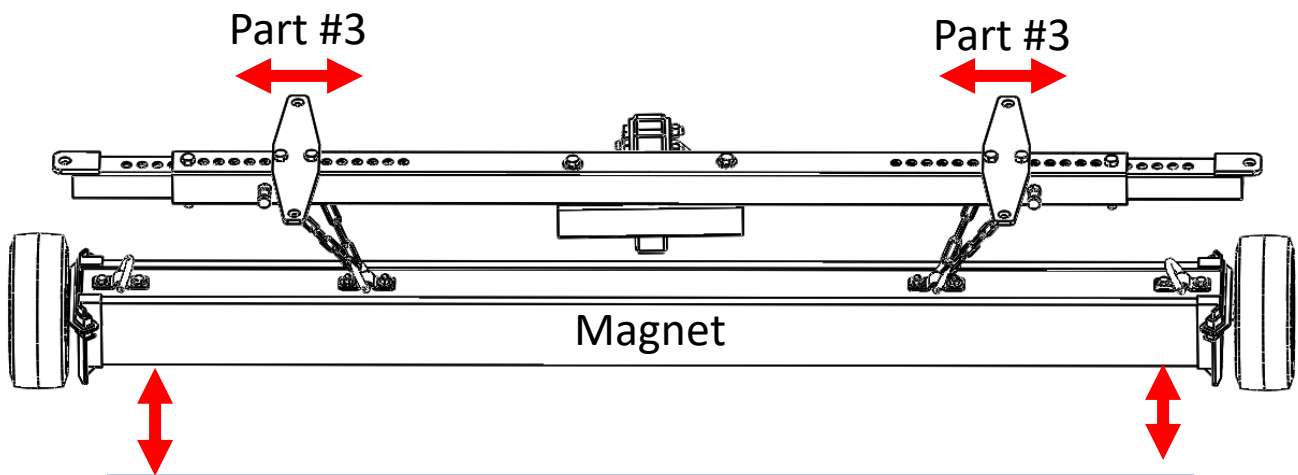
**Tip #1:** If your magnet appears to be hanging crooked it is possible the Steel Mounting Plates have not been assembled perfectly square. To correct this simply loosen both bolts in each of the 2 Steel Mounting Plates and the problem will correct itself. Retighten the bolts previously loosened.

If the problem still exists it may be possible 1) your chains are not the same length 2) There is a twist in one or more of the chains (this changes the length) 3) The chains are not uniformly connected at all ends (all 4 chains need to be the same length and have the same orientation).

## Helpful Tips



**Tip #2:** Suspend the Sweeper with the Chains all positioned so they are on the inside of the Steel Mounting Plates as shown above.



**Tip #3:** The Ground Clearance can be fine tuned by changing the locations of the Steel Mounting Plates (Part #3) inward or outward, to ensure your magnet is perfectly level with the ground. It is also possible your vehicle or receiver hitch (if used) may not be perfectly level in all directions.

Hanging Sweeper Model	Size	Hanging Bracket Model	Dim A	Dim B	Dim C
Aether	62	C	34	56	24
Aether	74	C	38	68	24
Aether	86	C	42	80	24
Aether	98	C	46	92	24
Alpha	86	C	42	80	24
Alpha	98	C	46	92	24
Eiger 3x3	38	A	26	N/A	12.5
Eiger 3x3	50	A	32	46	12.5
Eiger 3x3	62	B	38	N/A	12.5
Eiger 3x3	74	B	44	70	12.5
Eiger 3x3	86	B	50	82	12.5
Eiger 3x3	98	B	56	94	12.5
Eiger 4.5x4.5	38	A	26	34	12.5
Eiger 4.5x4.5	50	A	32	46	12.5
Eiger 4.5x4.5	62	B	38	N/A	12.5
Eiger 4.5x4.5	74	B	44	70	12.5
Eiger 4.5x4.5	86	B	50	82	12.5
Eiger 4.5x4.5	98	B	56	94	12.5
Gobie	14	N/A	N/A	N/A	N/A
Gobie	20	N/A	N/A	N/A	N/A
Gobie	26	A	20	N/A	12.5
Gobie	32	A	23	N/A	12.5
Gobie	38	A	26	N/A	12.5
Gobie	44	A	29	N/A	12.5
Gobie	50	A	32	N/A	12.5
Gobie	56	B	35	N/A	12.5
Gobie	62	B	38	N/A	12.5
Gobie	68	B	41	N/A	12.5
Gobie	74	B	44	N/A	12.5
Gobie	80	B	47	N/A	12.5
Gobie	86	B	50	N/A	12.5
Gobie	92	B	53	N/A	12.5
Gobie	98	B	56	N/A	12.5
ISO	62	A	22	64	12.5
ISO	74	B	34	76	12.5
ISO	86	B	46	88	12.5
ISO	98	B	58	100	12.5
Khamsin	62	A	22	62	12.5
Khamsin	74	B	34	74	12.5
Khamsin	86	B	46	86	12.5
Khamsin	98	B	58	98	12.5

Hanging Sweeper Model	Size	Hanging Bracket Model	Dim A	Dim B	Dim C
PYR 3x3	38	A	26	N/A	12.5
PYR 3x3	50	A	32	46	12.5
PYR 3x3	62	B	38	58	12.5
PYR 3x3	74	B	44	70	12.5
PYR 3x3	86	B	50	82	12.5
PYR 3x3	98	B	56	94	12.5
PYR 4.5x4.5	38	A	26	N/A	12.5
PYR 4.5x4.5	50	A	32	46	12.5
PYR 4.5x4.5	62	B	38	58	12.5
PYR 4.5x4.5	74	B	44	70	12.5
PYR 4.5x4.5	86	B	50	82	12.5
PYR 4.5x4.5	98	B	56	94	12.5
Remoras	38	N/A	N/A	N/A	N/A
Remoras	50	N/A	N/A	N/A	N/A
Remoras	62	N/A	N/A	N/A	N/A
Remoras	74	N/A	N/A	N/A	N/A
Remoras	86	N/A	N/A	N/A	N/A
Remoras	98	N/A	N/A	N/A	N/A
Wrasse 2x5	26	A	20	N/A	12.5
Wrasse 2x5	38	A	26	N/A	12.5
Wrasse 2x5	50	A	32	N/A	12.5
Wrasse 2x5	62	B	38	N/A	12.5
Wrasse 2x5	74	B	44	N/A	12.5
Wrasse 2x5	86	B	50	N/A	12.5
Wrasse 2x5	98	B	56	N/A	12.5
Wrasse 3x3	26	A	20	N/A	12.5
Wrasse 3x3	38	A	26	N/A	12.5
Wrasse 3x3	50	A	32	N/A	12.5
Wrasse 3x3	62	B	38	N/A	12.5
Wrasse 3x3	74	B	44	N/A	12.5
Wrasse 3x3	86	B	50	N/A	12.5
Wrasse 3x3	98	B	56	N/A	12.5
Wrasse 4.5x4.5	26	A	20	N/A	12.5
Wrasse 4.5x4.5	38	A	26	N/A	12.5
Wrasse 4.5x4.5	50	A	32	N/A	12.5
Wrasse 4.5x4.5	62	B	38	N/A	12.5
Wrasse 4.5x4.5	74	B	44	N/A	12.5
Wrasse 4.5x4.5	86	B	50	N/A	12.5
Wrasse 4.5x4.5	98	B	56	N/A	12.5

---

Bluestreak Equipment • 1645 Hwy #3, Delhi, Ontario, Canada N4B 2W6

[www.blustreakequipment.com](http://www.blustreakequipment.com)