

Operating Instructions

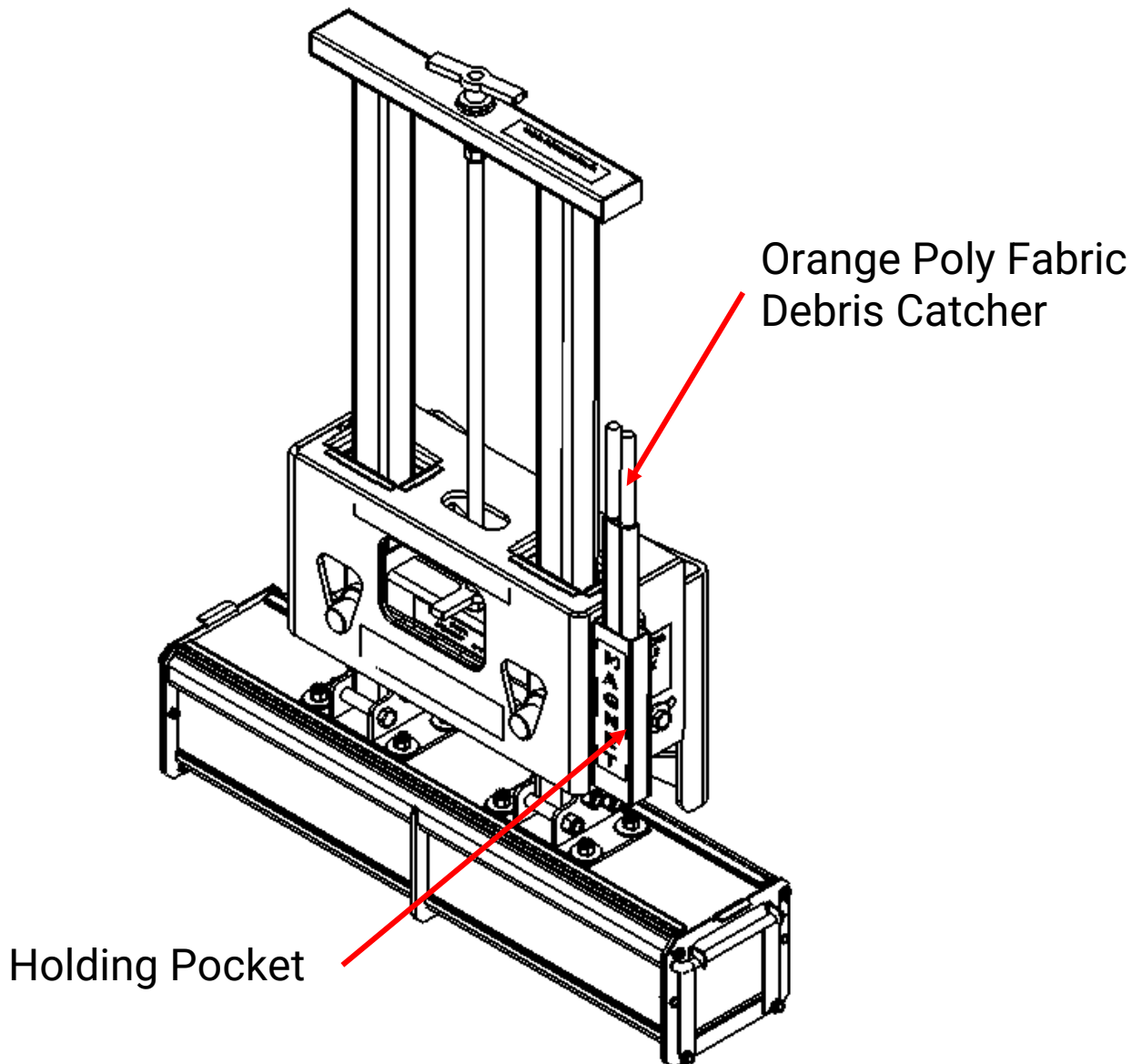
FORAGER XL



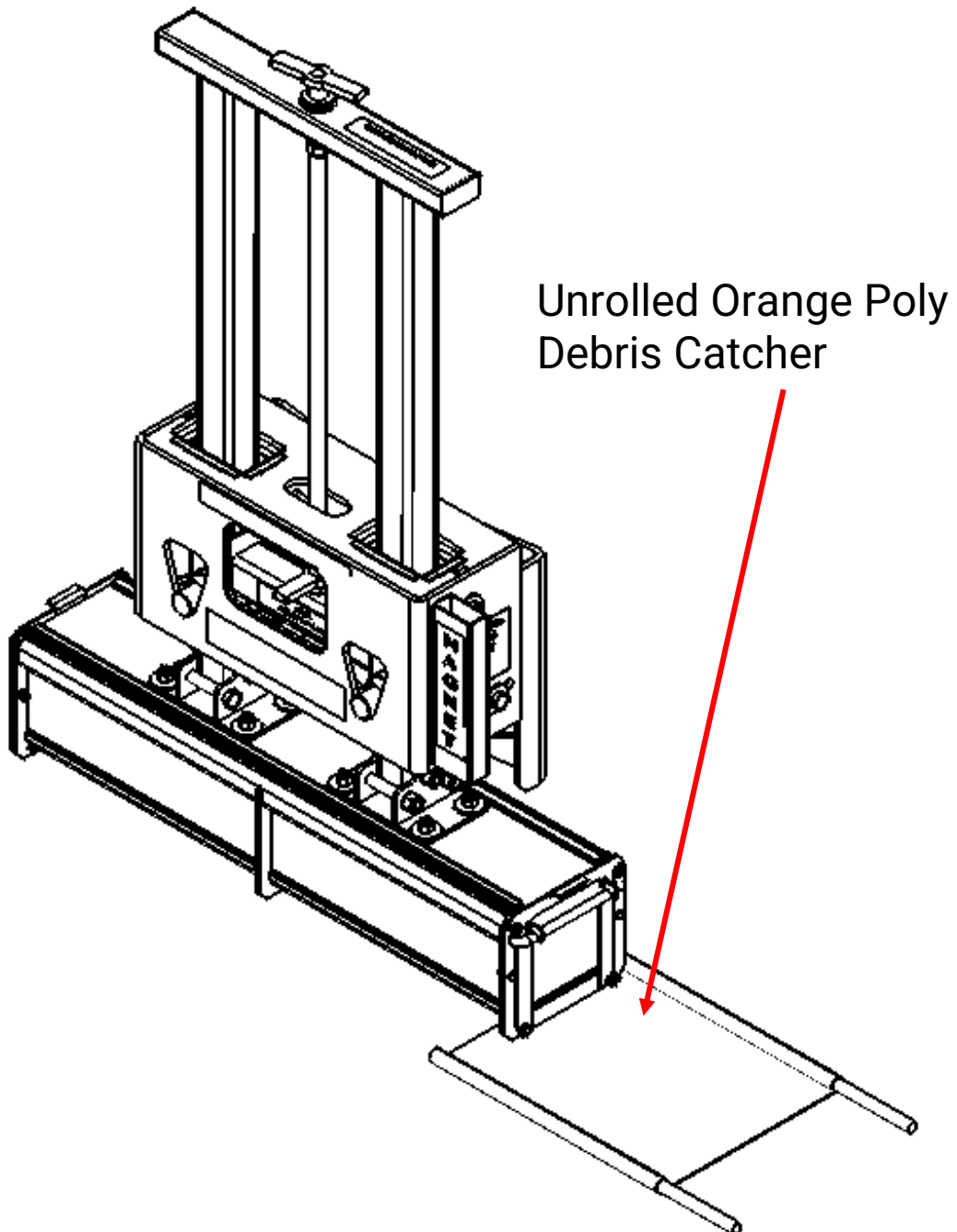
Bluestreakequipment MAGNETICS
APPLICATION DRIVEN DESIGN

Bluestreak Equipment
1645 Hwy #3, Delhi, Ontario, Canada N4B 2W6

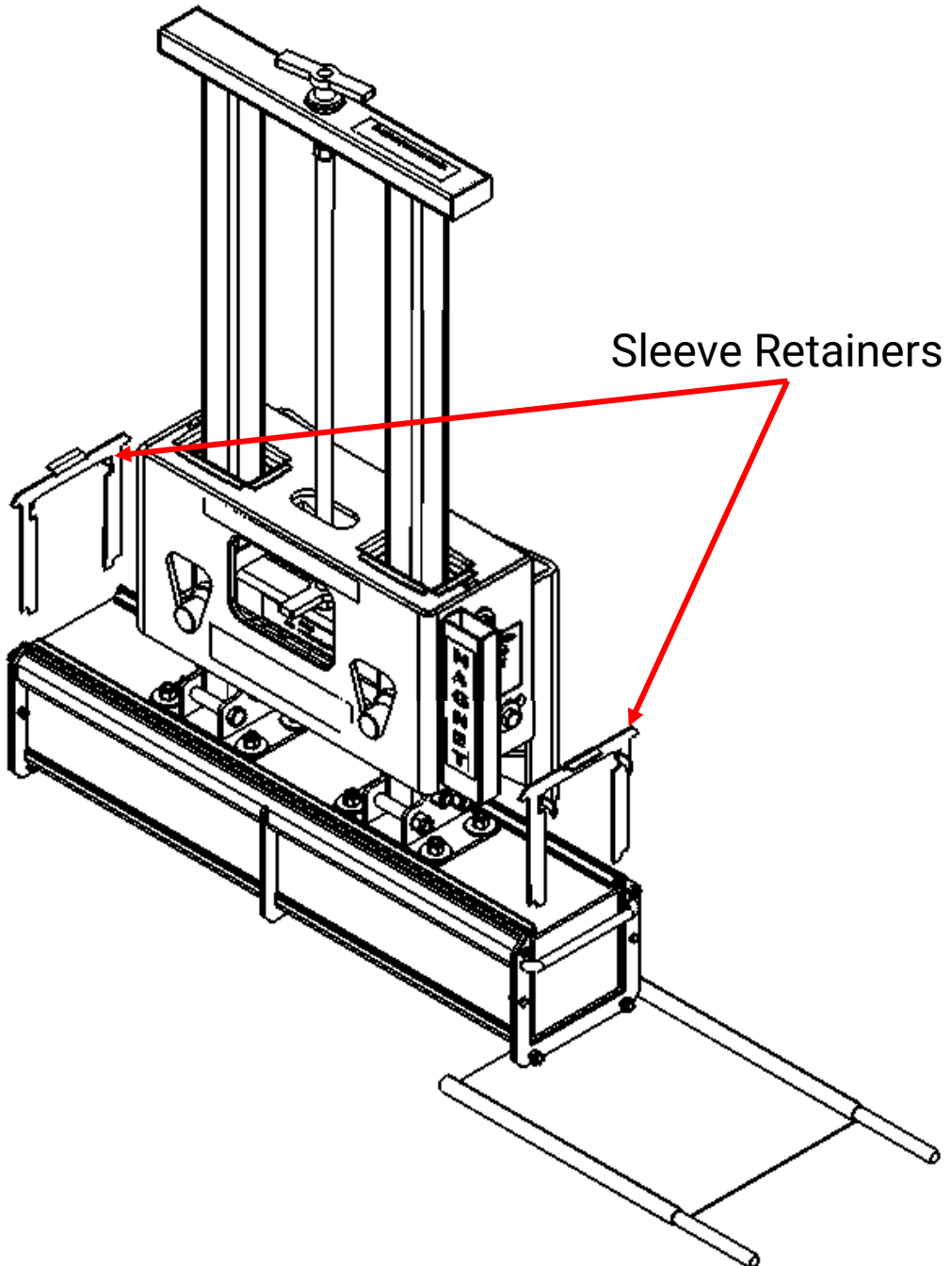
Step 1. Remove Poly Fabric Debris Catcher From Holding Pocket



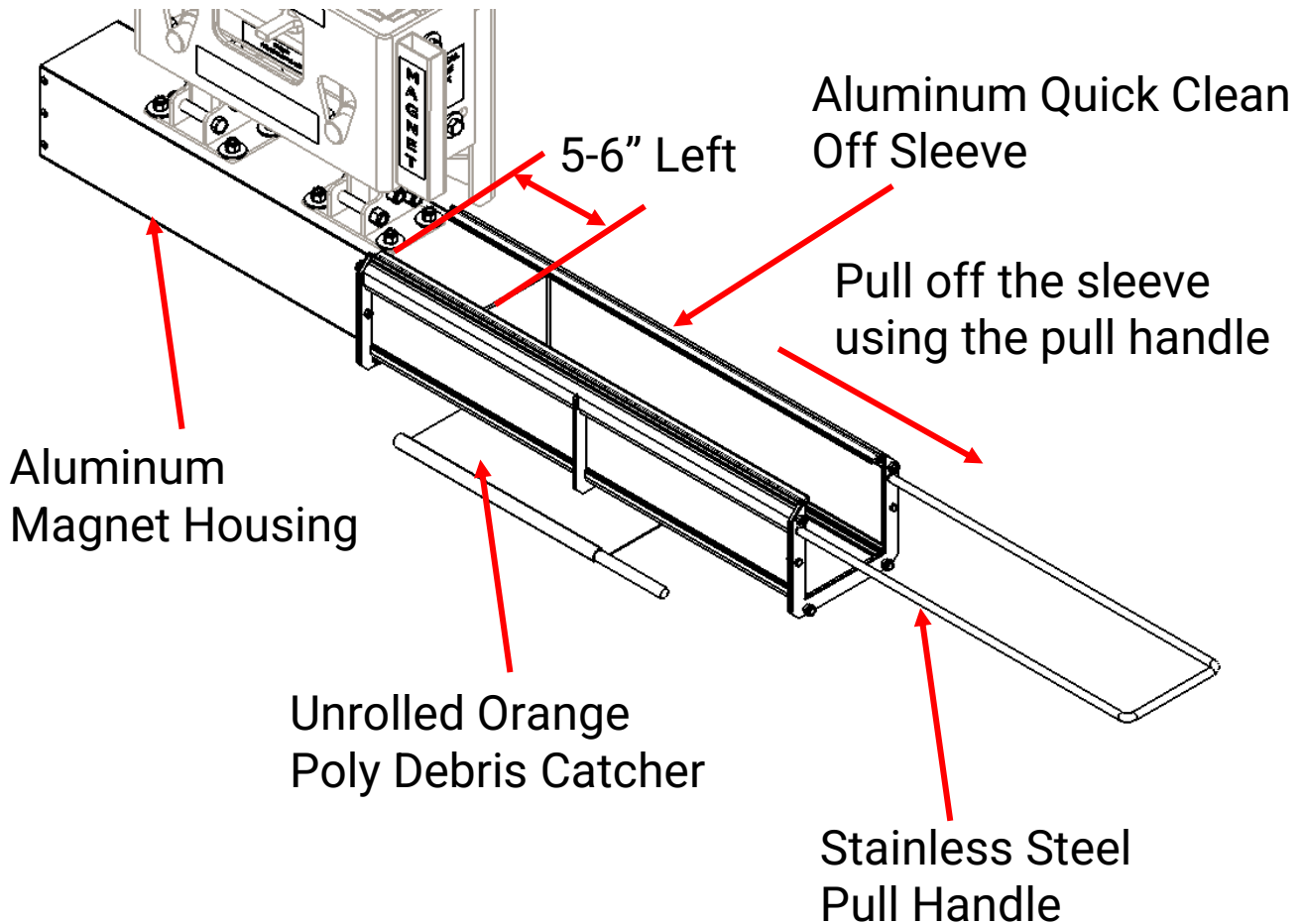
Step 2. Unroll Debris Catcher and Place on the Ground at One End of the Magnet



Step 3. Remove Sleeve Retainers on Both Sides



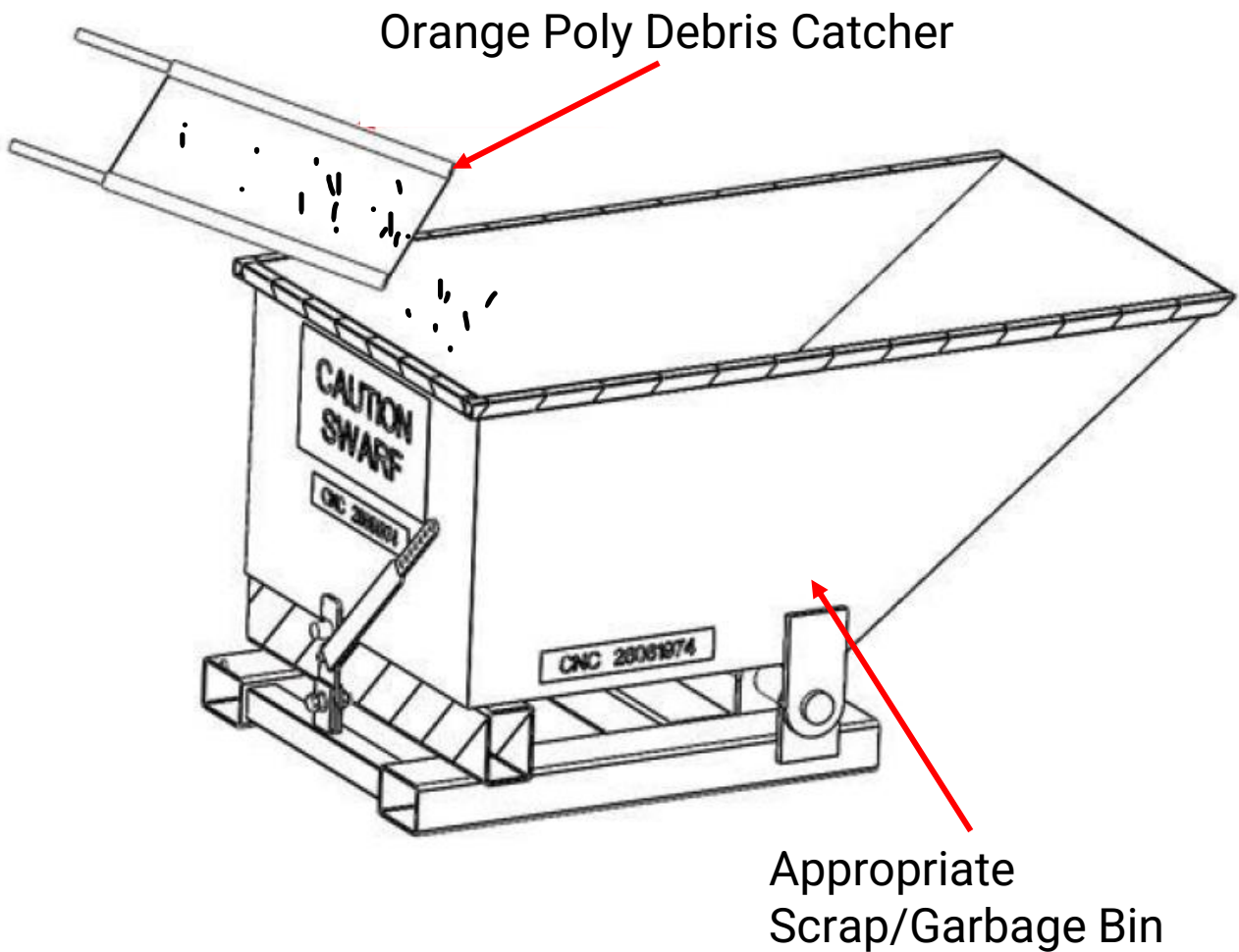
Step 4. Use the Pull Handle to Pull the Sleeve Towards Debris Catcher Side



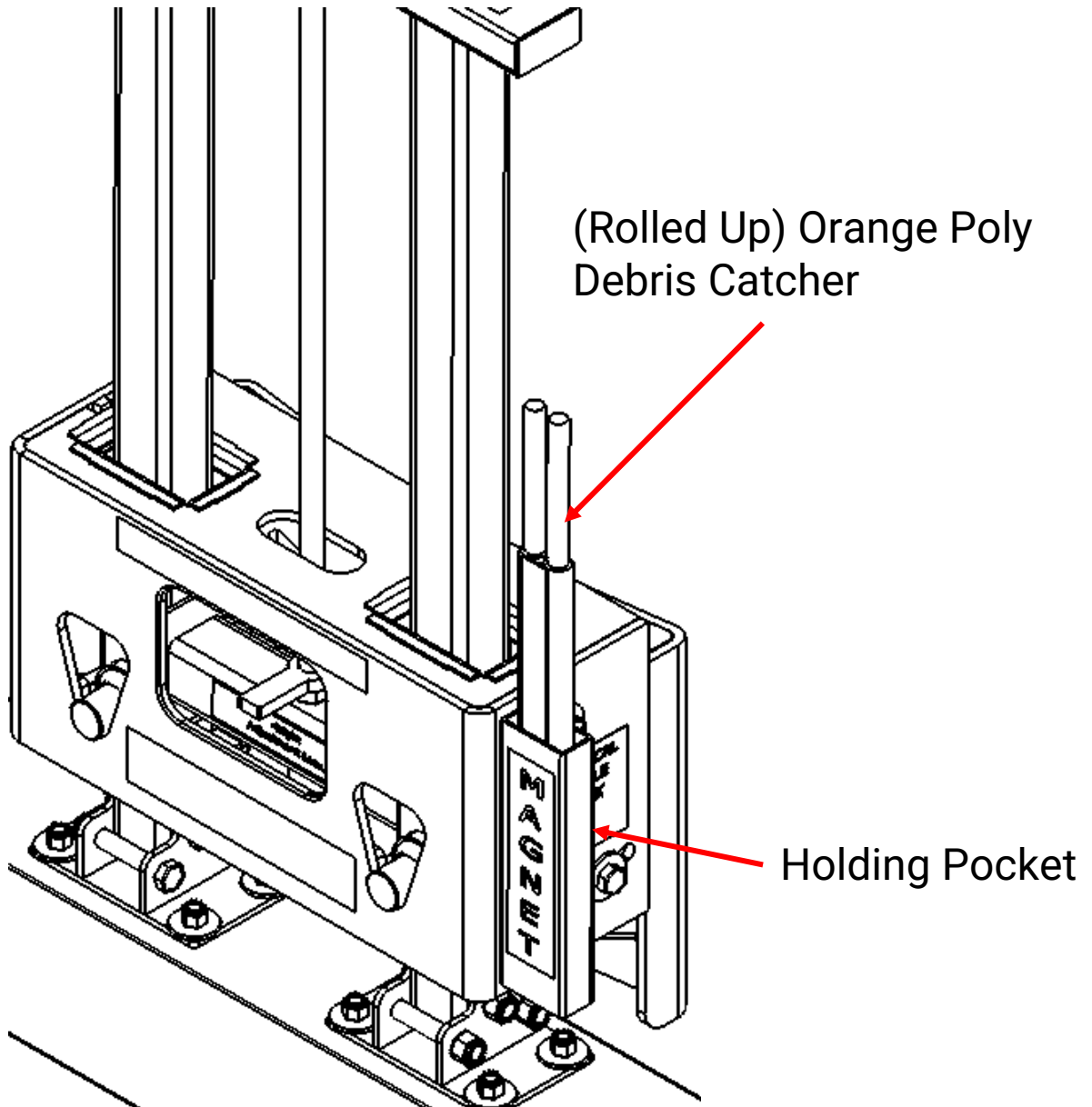
Pull the sleeve until there is just 5-6 inches of sleeve still over the magnet. It is highly recommended that the debris left on the sleeve be hand picked off the magnet.

NOTE: Leaving the sleeve on is just for your convenience to slide it back in. If you accidentally or do want to pull it off, the sleeve will not get damage when dropping onto the ground at the usual sweeping height of 4-6 inches.

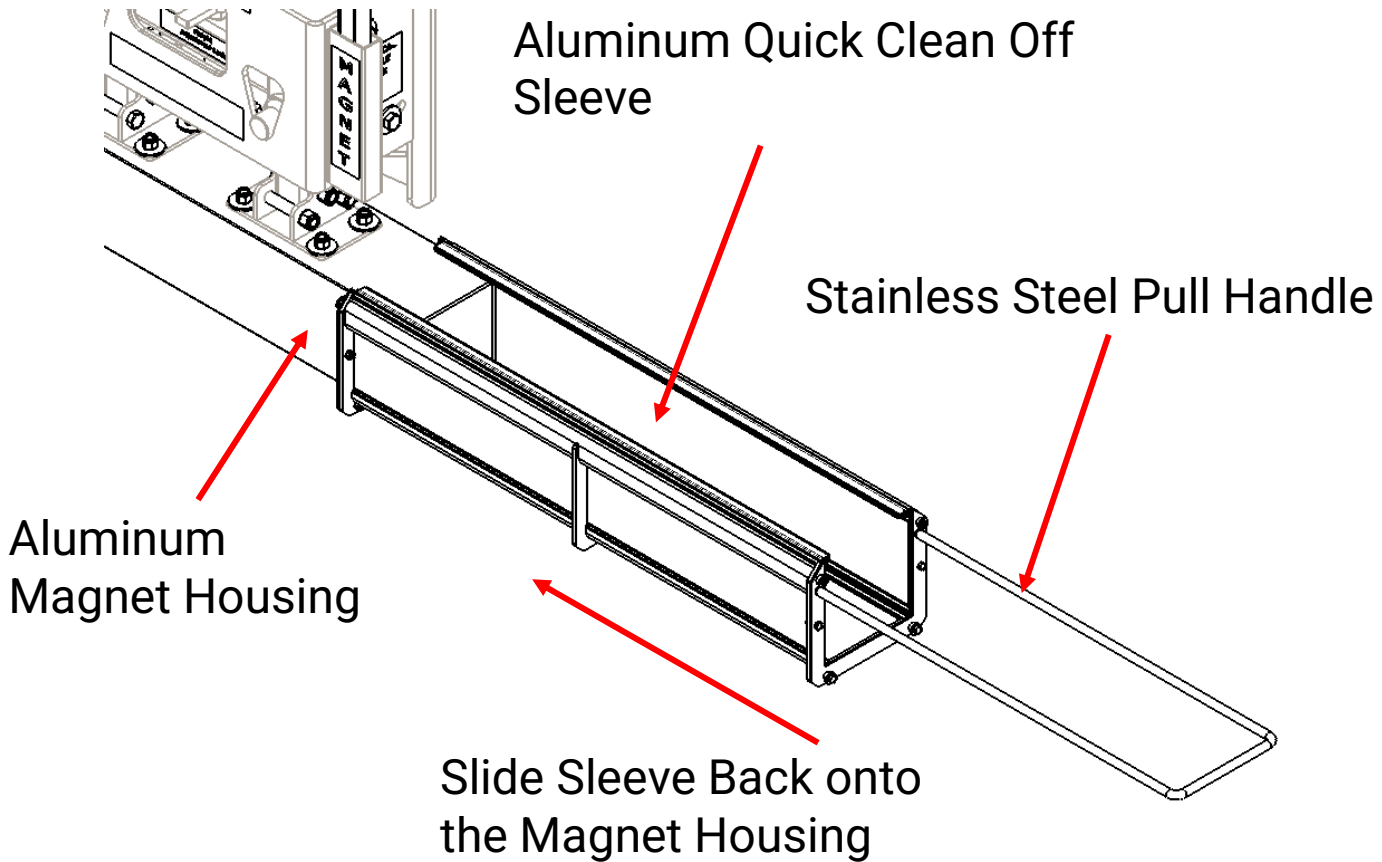
Step 5. Dispose Collected Metal Debris on the Poly Fabric Debris Catcher



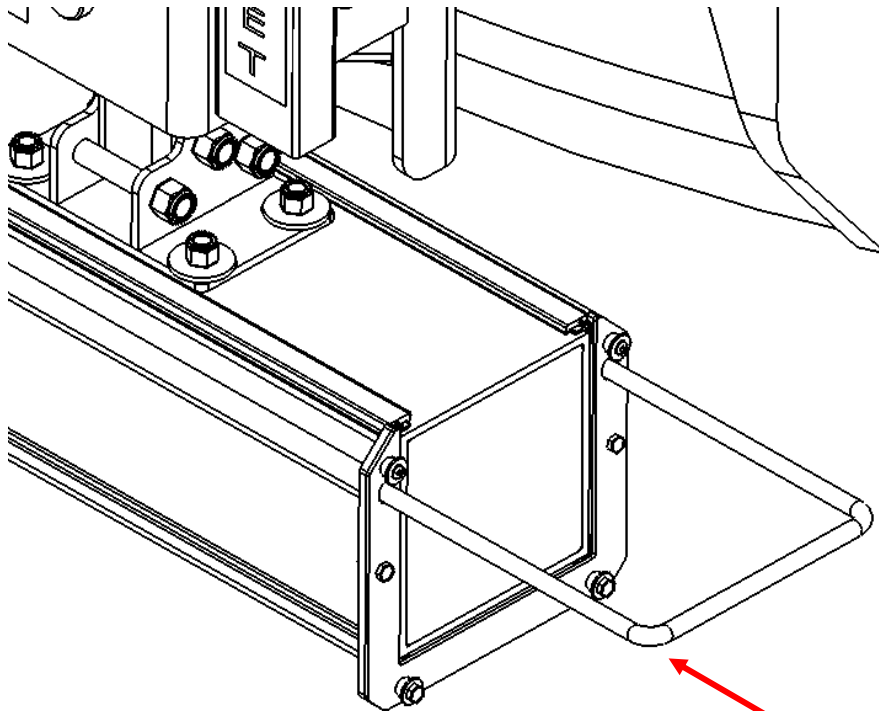
Step 6. Roll Up and Put Debris Catcher Back into Holding Pocket



Step 7. Reinstall the Quick Clean Off Sleeve

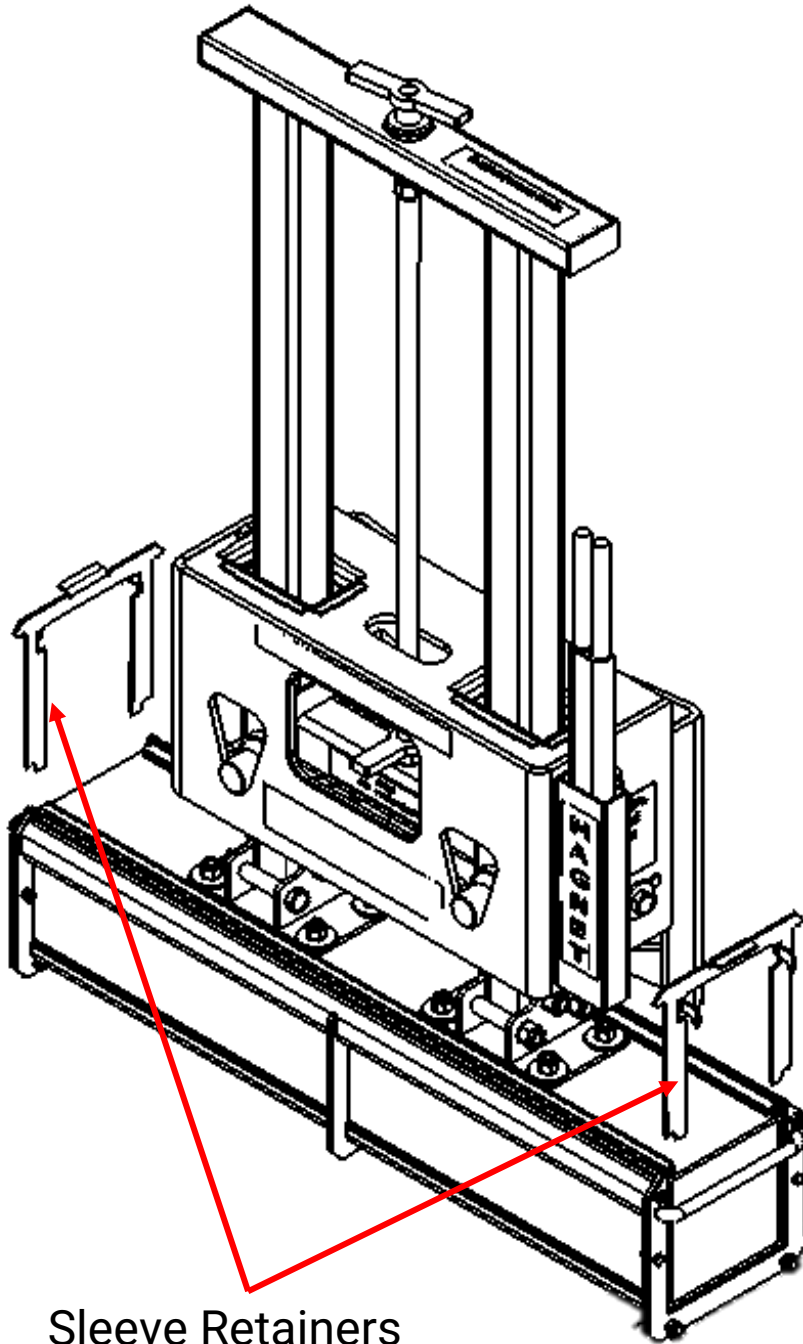


Step 8. Reinstall the Stainless Steel Pull Handle



Slide the stainless steel pull handle back into the sleeve.

Step 9. Reinstall the Sleeve Retainers



Sleeve Retainers



Parts

All parts are available for the magnetic sweeper from your dealer or directly from Bluestreak Equipment at www.bluestreakequipment.com



Video Resources

All Forager XL Series Operating Instructions are available in video format online at www.bluestreakequipment.com

Maintenance

Before Every Use

- Check that all fasteners (nuts, bolts, pins, etc) are in their right place and are tight.
- Inspect and replace any worn, torn or missing safety decals.

Every Month

- Inspect all components for signs of damage or fatigue and replace as necessary.
- Inspect the plastic wear strips on the Aluminum Quick Clean Off Sleeve for damage and replace as necessary.

Every Year

- Inspect the attachment for any loose or worn parts that may need to be replaced prior to the next season.
- Visually inspect the wheels for heavy wear and aluminum quick clean off sleeve for damage and replace, as necessary.
- Clean, sand & repaint any area that looks worn or scratched to prevent further rusting. Use an equipment paint found at your local hardware store or building center.
- Replace any stickers that have been lost or damaged.
- Store your attachment in a shed or cover with a water-proof tarp if it is stored outside to protect it from the elements. Store in an area not frequented by children.