

# Operating Instructions

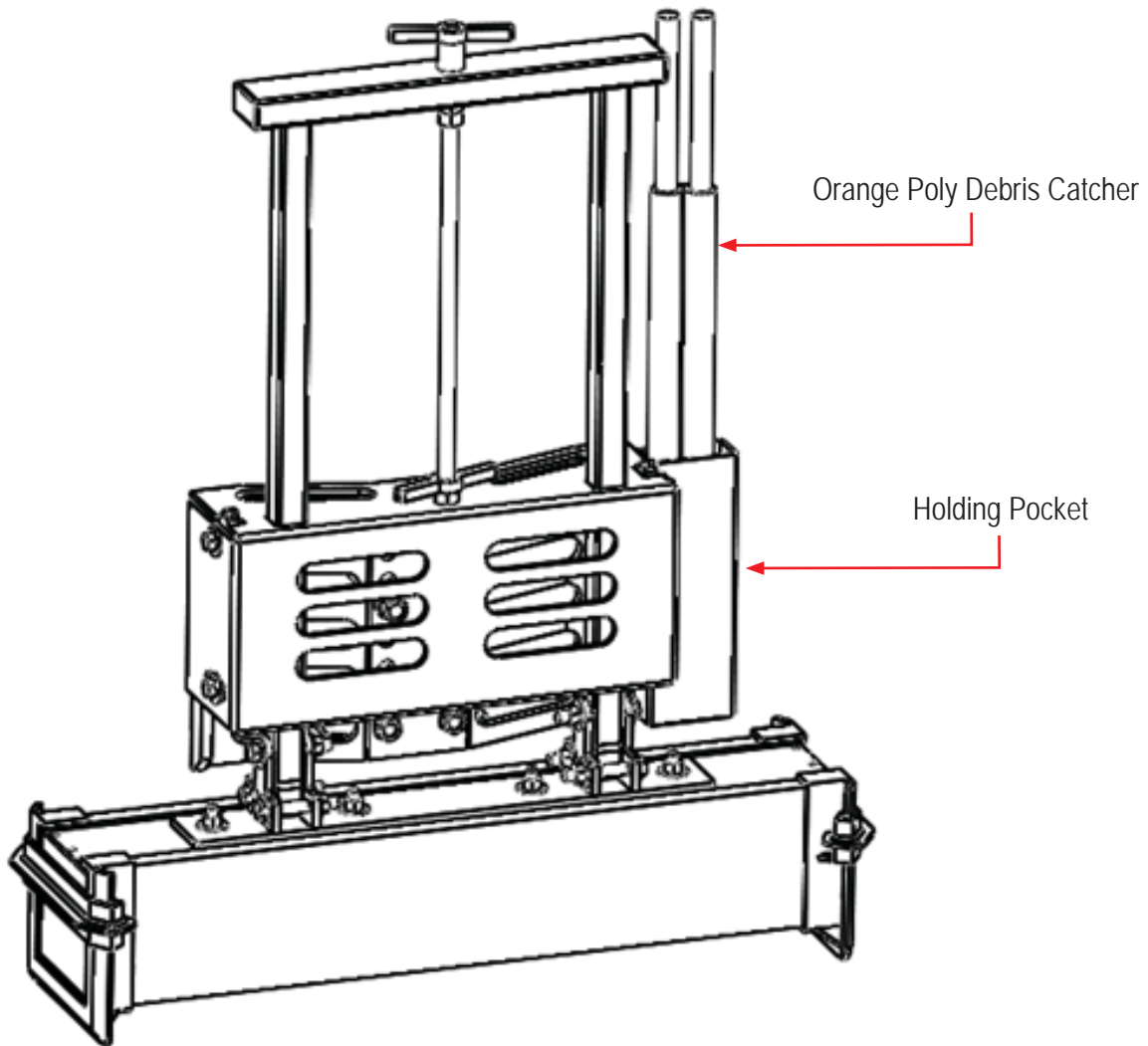
## FORAGER



**Bluestreak**equipment  
The world's best magnetic cleaning equipment

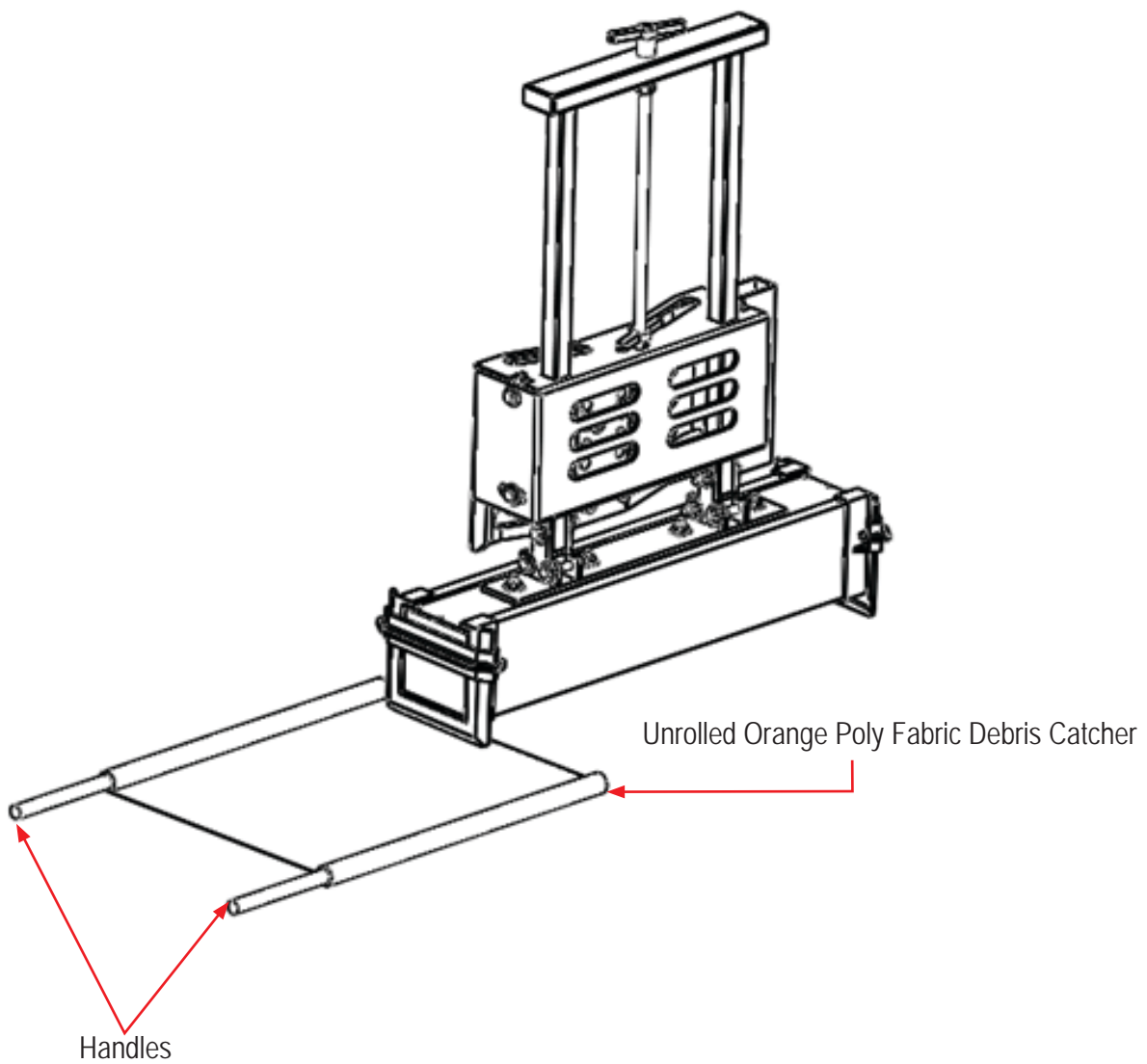
Bluestreak Equipment  
1645 Hwy #3, Delhi  
Ontario, Canada  
N4B2W6

# 1. Remove Poly Fabric Debris Catcher from Holding Pocket on Forager



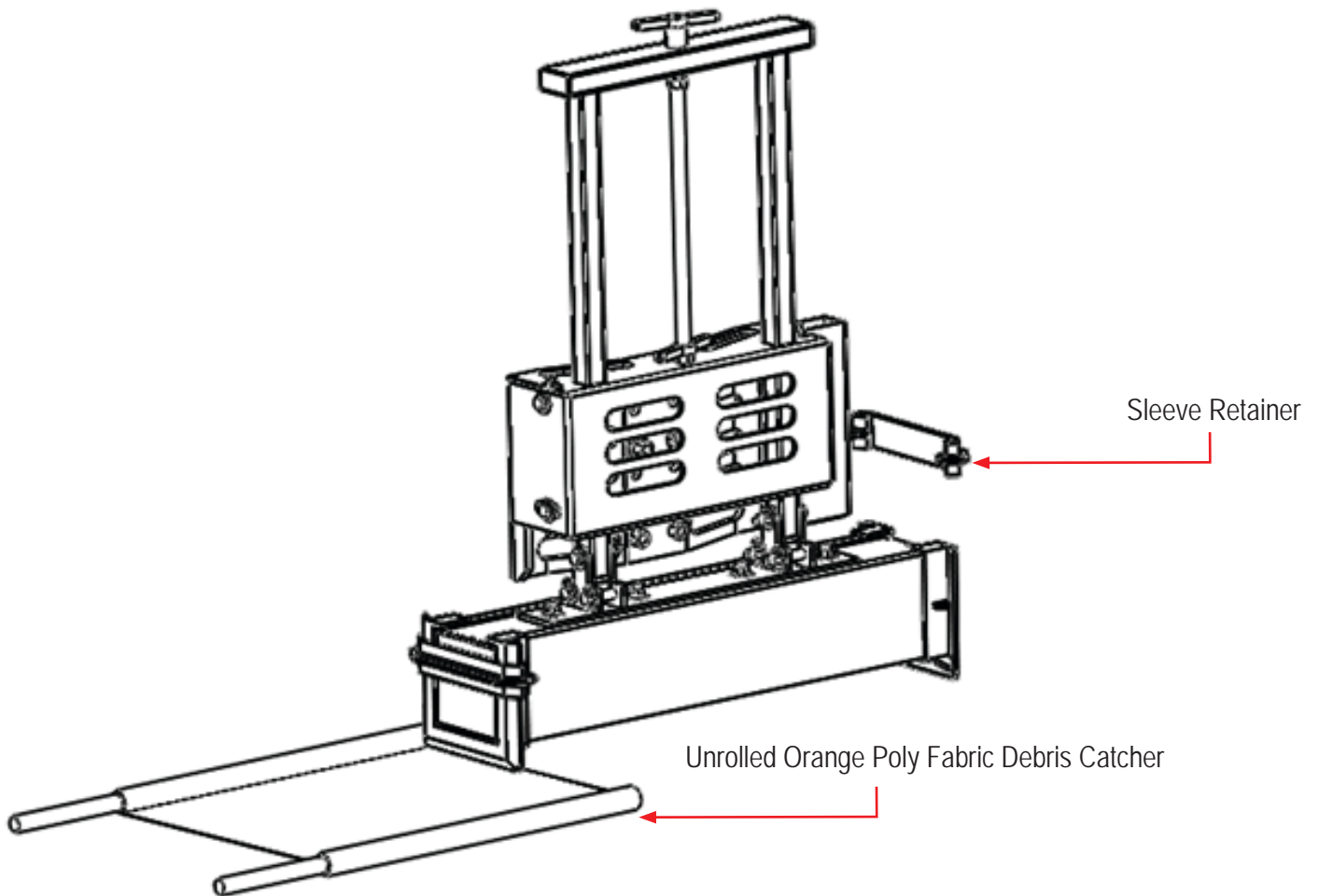
**FORAGER**

## 2. Place unrolled Poly Fabric Debris Catcher on Ground at the end of the magnet



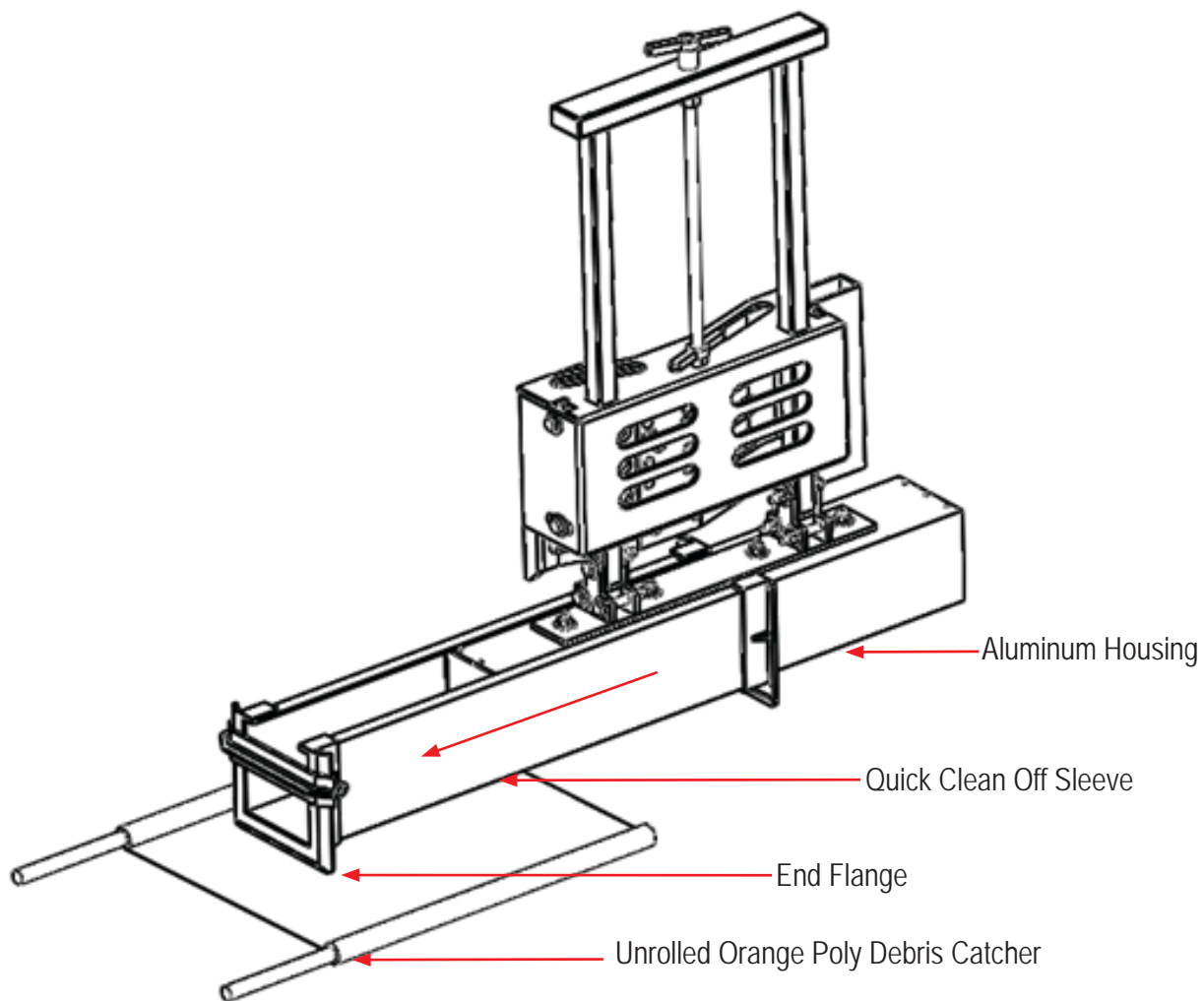
**FORAGER**

3. Remove Sleeve Retainer on opposite end that the Poly Fabric Debris Catcher is placed under.



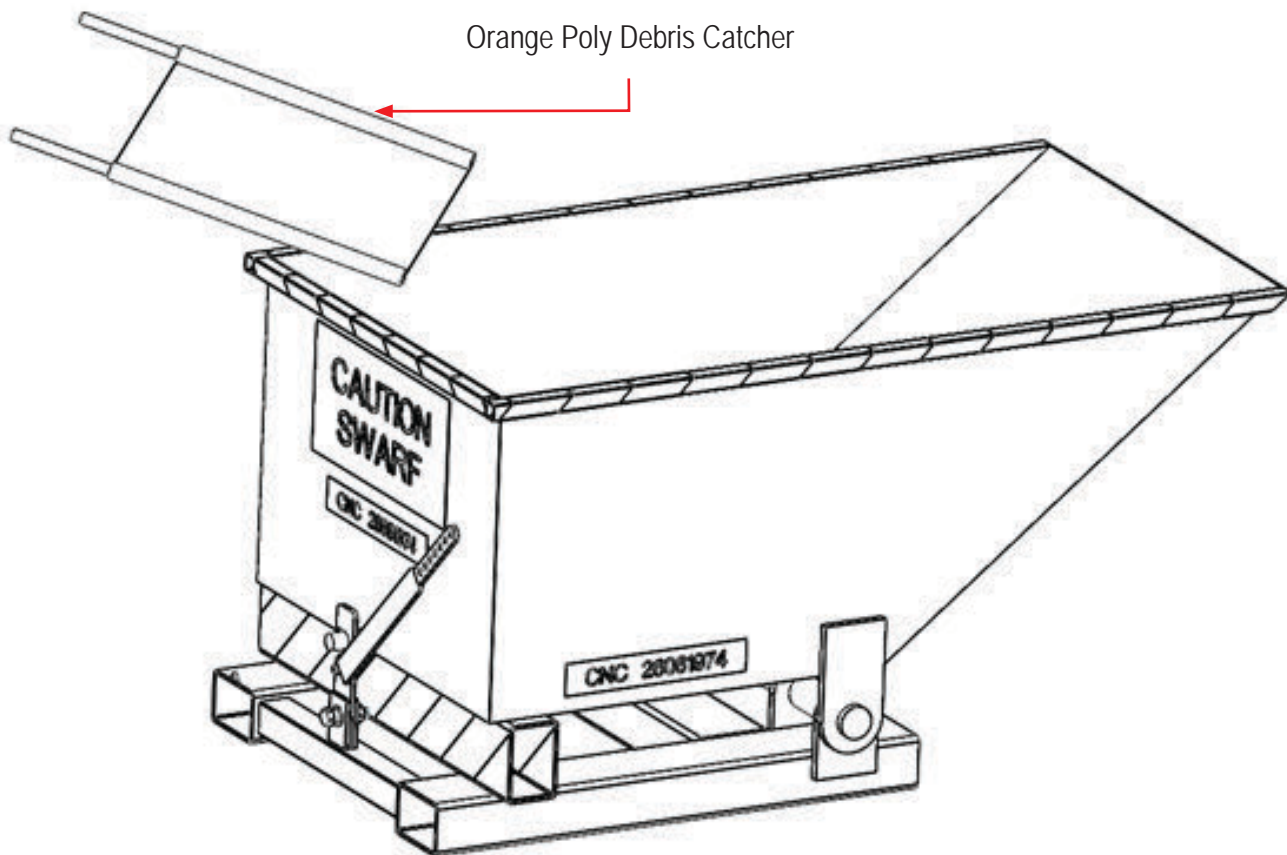
**FORAGER**

4. Stand on the same side of the magnet as the Poly Debris Catcher and Pull the Quick Clean off Sleeve off of the end of the magnet housing by pulling on the End Flange.



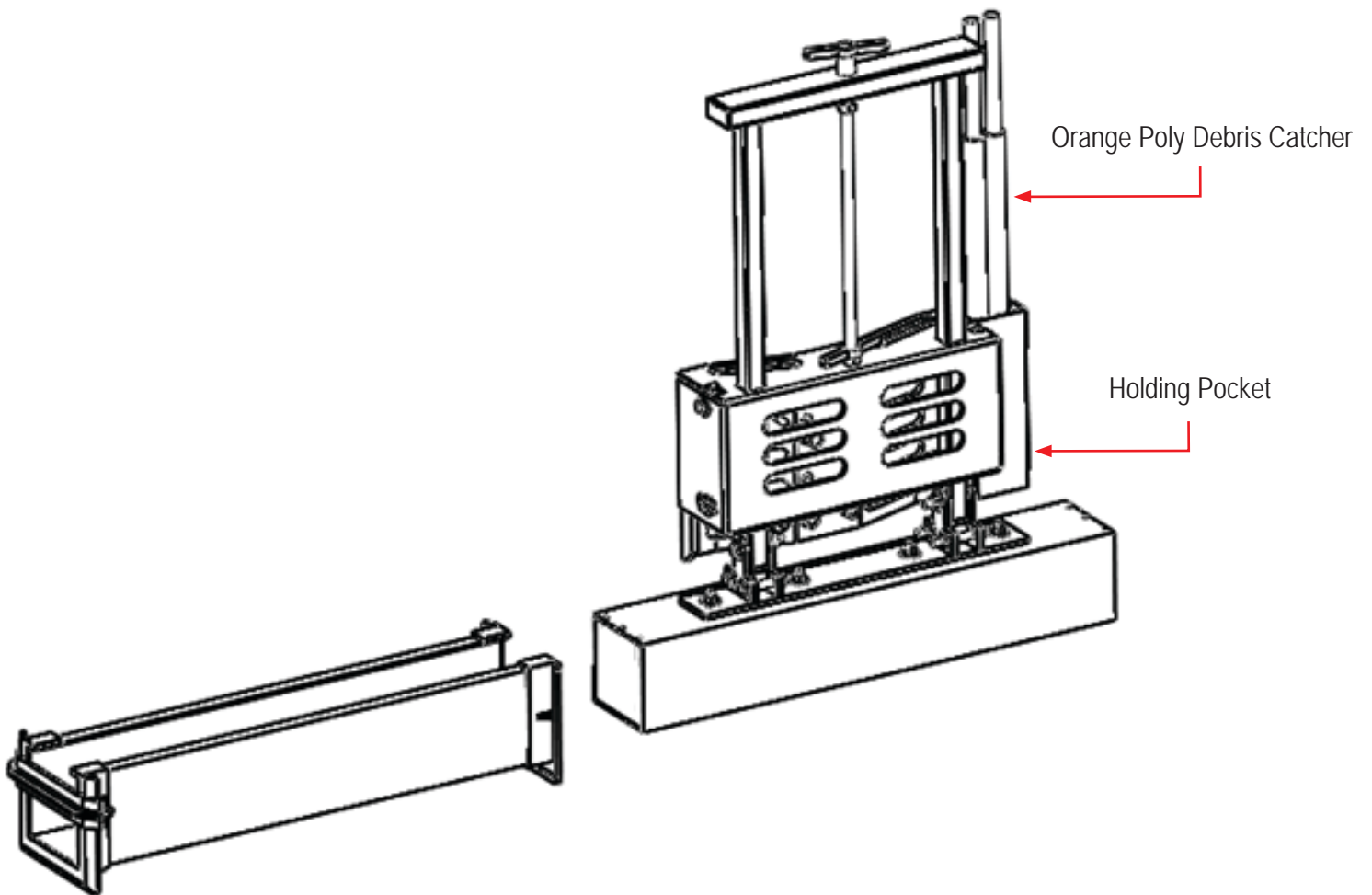
# FORAGER

5. Dispose of collected metal debris on the Poly Fabric Debris Catcher into appropriate scrap/swarf/garbage bin.



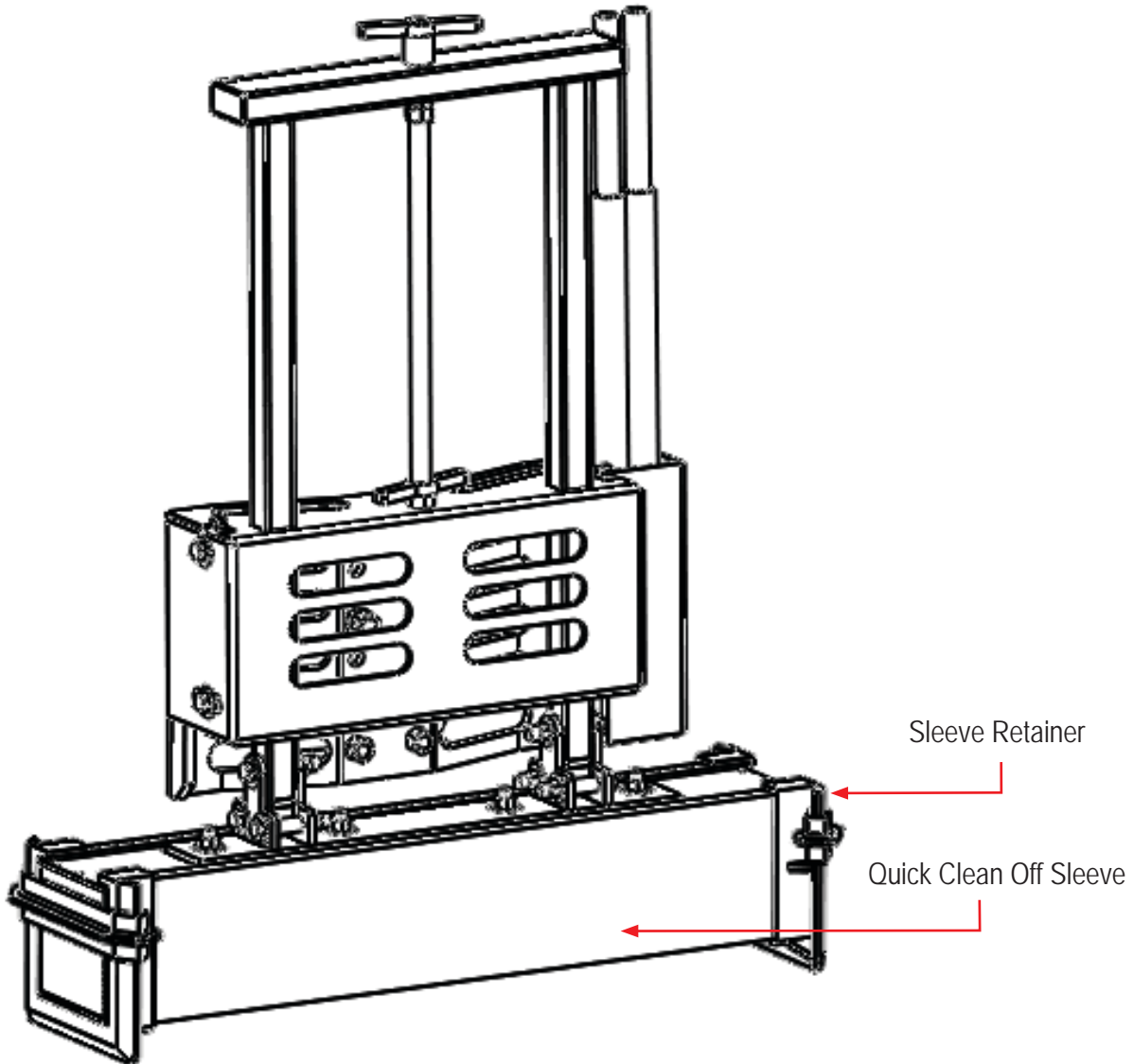
**FORAGER**

## 6. Roll up and reinsert Poly Fabric Debris Catcher into Holding Pocket.



**FORAGER**

## 7. Reinstall Quick Clean off Sleeve and End Retainer.



**FORAGER**





## Parts

All parts are available for the magnetic sweeper from your dealer or directly from Bluestreak Equipment at [www.bluestreakequipment.com](http://www.bluestreakequipment.com)



## Video Resources

All Forager Series Operating Instructions are available in video format online at [www.bluestreakequipment.com](http://www.bluestreakequipment.com)

**FORAGER**

---

Bluestreak Equipment • 1645 Hwy #3 • Delhi • Ontario • Canada • N4B2W6  
[www.blustreakequipment.com](http://www.blustreakequipment.com)