

# Assembly Instructions

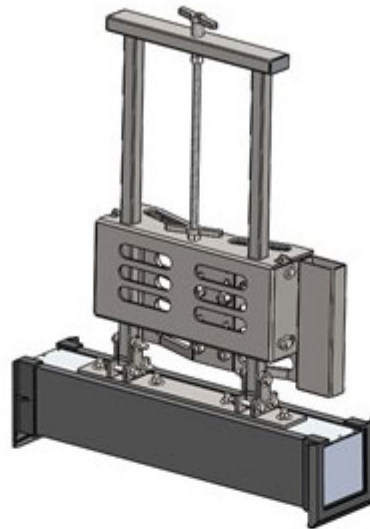
# FORAGER



**Bluestreak**equipment  
The world's best magnetic cleaning equipment

Bluestreak Equipment  
1645 Hwy #3, Delhi  
Ontario, Canada  
N4B2W6

## What's On The Pallet



Forager (Mostly Assembled) – 1pc



Orange Poly Debris Catcher – 1pc



Cardboard Box – 1pc

## Items Located in Cardboard Box



Sleeve Retainers – 2 pcs



Bat Wing Stabilizer – 1 pc



Pin Hook – 1 pc

 $\frac{1}{2}$ " x 1" Hex Bolts – 2 pcs $\frac{1}{2}$ " Hex Nuts – 4 pcs $\frac{1}{2}$ " Lock Washers – 2 pcs

5" Threaded Rod – 2 pcs



9" Threaded Rod – 2 pcs

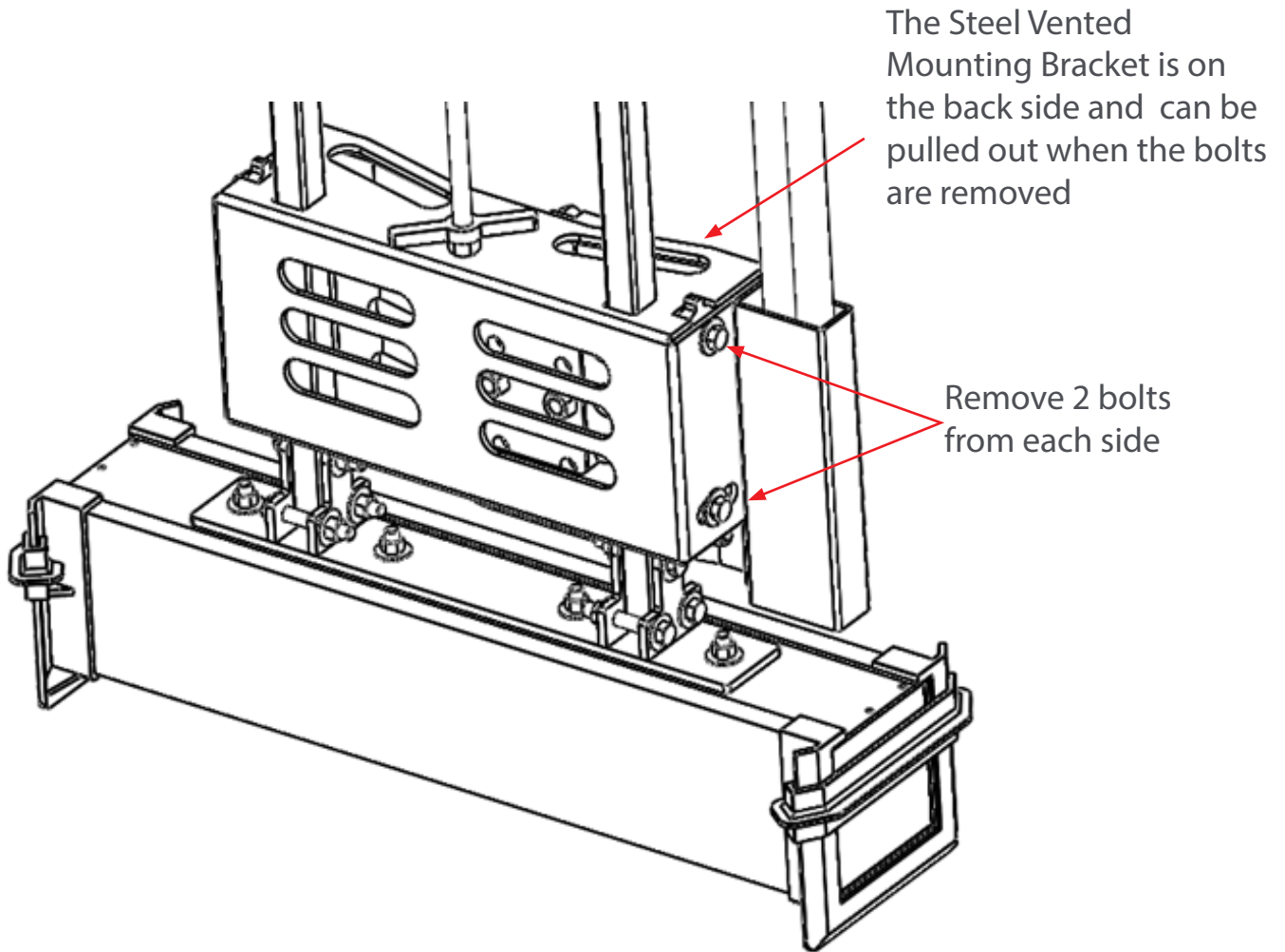
# FORAGER

## Step 1. Unpack the Forager Pallet



(Step 1) Unpack the Forager Pallet

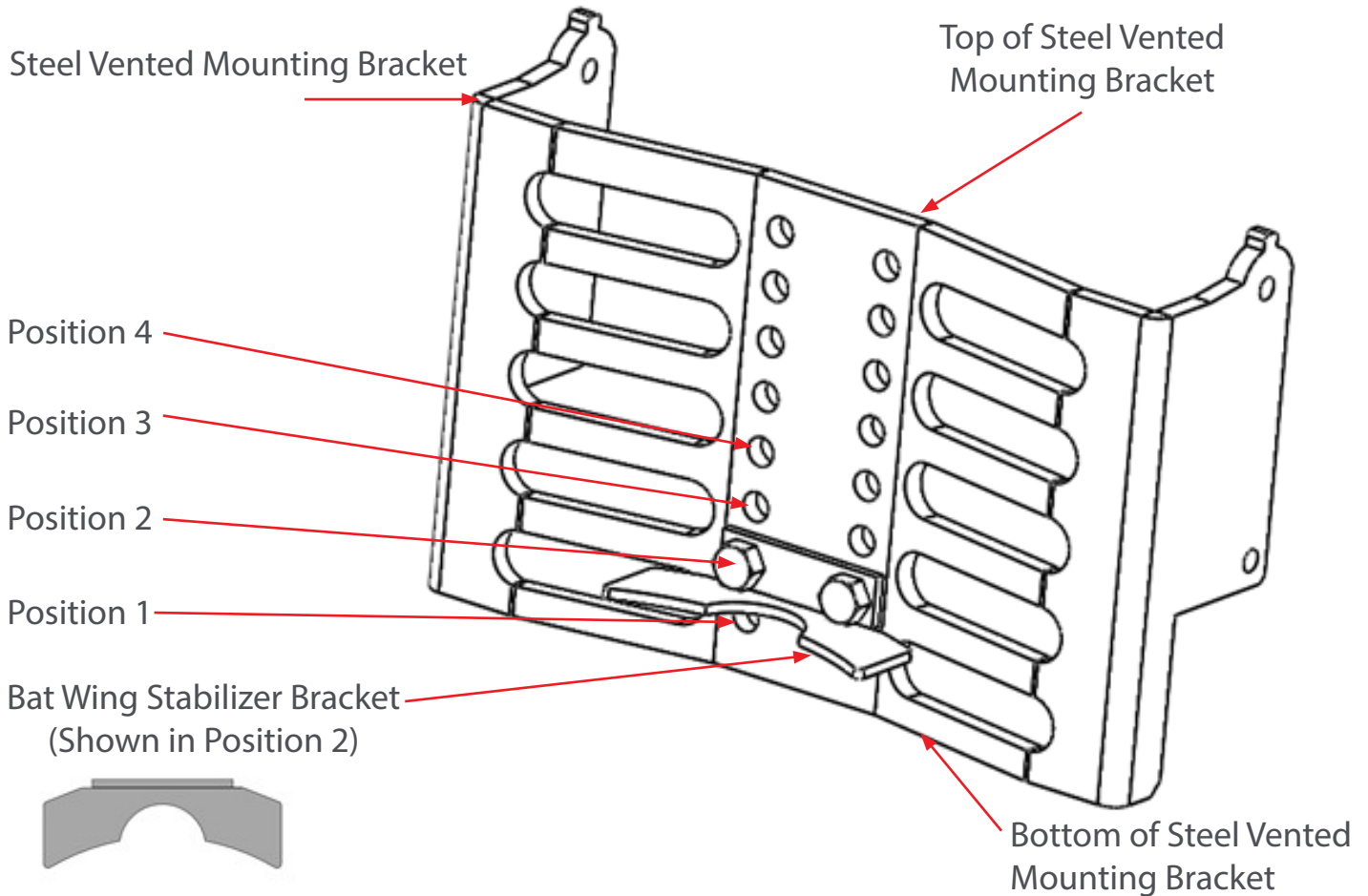
## Step 2. Remove the Steel Vented Mounting Bracket



### (Step 2) Remove the Steel Vented Mounting Bracket

Remove the Steel Vented Mounting Bracket by removing the two 3/8" hex bolts on each side of the cover as shown below using a 9/16" wrench.

## Step 3. Install Bat Wing Stabilizer Bracket



### (Step 3) Install Bat Wing Stabilizer Bracket

Install the Bat Wing Stabilizer Bracket on the Steel Vented Mounting Bracket in one of the bottom 4 hole positions based on the chart to the right.

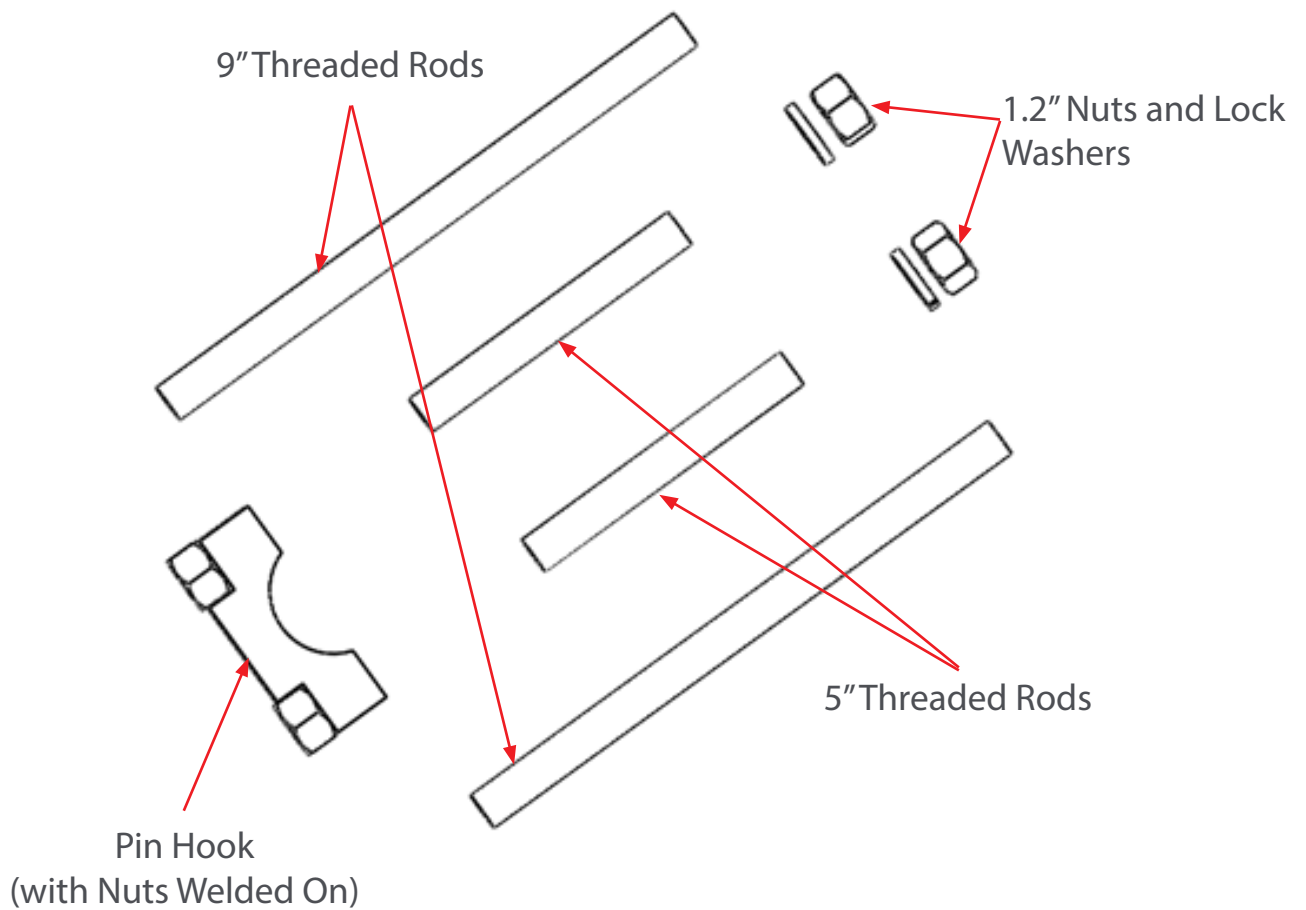
Use two ½” inch diameter hex bolts x 1 inch long and two ½” diameter hex nuts to fasten it to the Steel Vented Mounting Bracket.

**NOTE:** If the Pin Slot Height is less than 2 inches, take note of the position to use but do not connect the Bat Wing Stabilizer Bracket to the Steel Vented Mounting Bracket in this step because the threaded rod will have to use this same position in the next steps, and will therefore have to pass through the Bat Wing Stabilizer Bracket holes.

Height from Bottom of Pin Slot on forklift to Ground Level		Suggested Bat Wing Stabilizer Bracket Position
From	To	
8.625 inches	12 inches	1
13 inches	17 inches	2
17 inches	21 inches	3
21 inches	25.375 inches	4

**FORAGER**

## Step 4. Remove the Steel Half Round Pin Hook



### (Step 4) Remove the Steel Half Round Pin Hook.

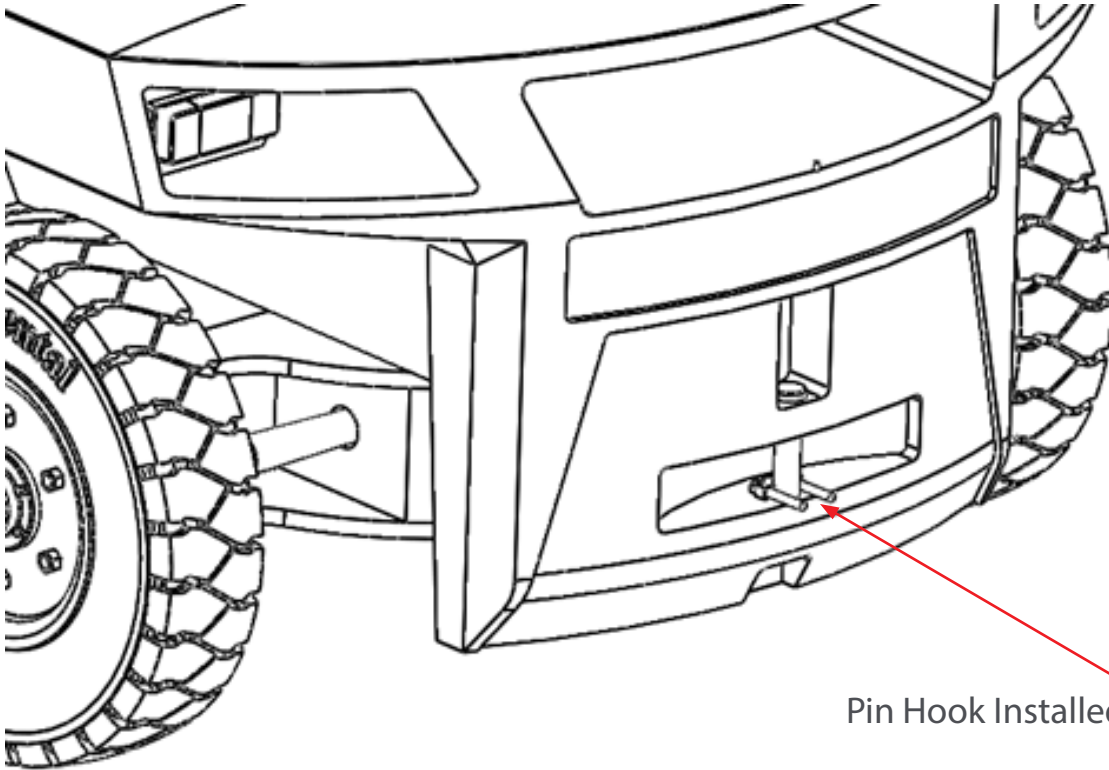
Remove the steel half round Pin Hook and threaded rod sections from the box of parts.

The Forager comes with 2 sets of threaded rods, one set 9" long and one set 5" long to accommodate forklift pin depths of varying sizes.

Choose the length of threaded rod that when the Pin Hook is behind the Pin, the threaded rods protrude out past the back of the forklift far enough to go through the steel vented mounting bracket to attach it to the forklift using the 1/2" nuts and lock washers.

# FORAGER

## Step 5. Install Pin Hook on Forklift



### (Step 5) Install Pin Hook onto Forklift

Lift the Pin upwards on the back of the forklift to install the Pin Hook.

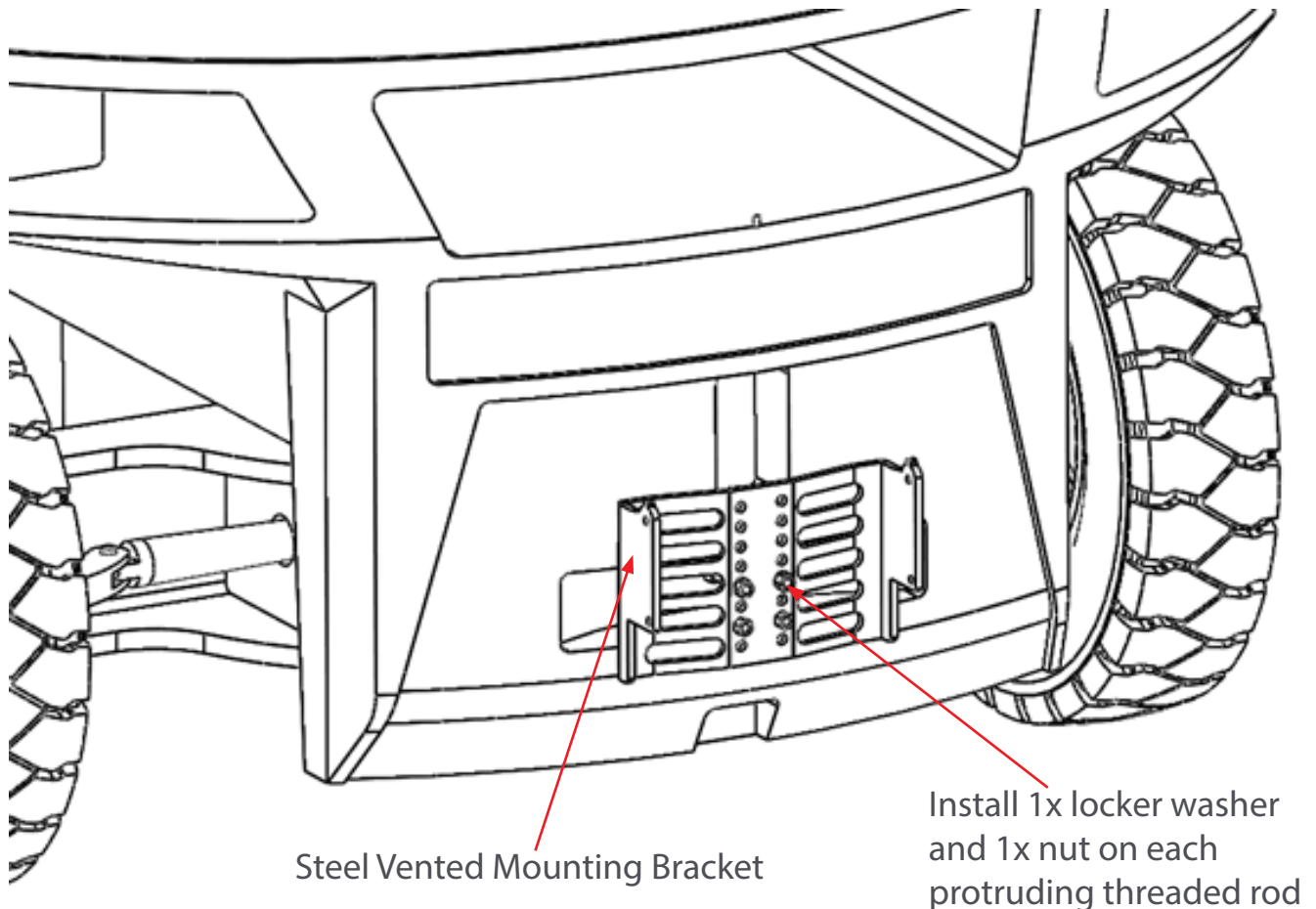
Lower the Pin once the Pin Hook is in Place.

If you chose the correct length of threaded rod in step 4, the threaded rod will be protruding beyond the back of the forklift enough for the threaded rod to extend thru the steel vented mounting bracket next.

# FORAGER



## Step 6. Install The Vented Steel Mounted Bracket



### (Step 6) Install The Vented Steel Mounted Bracket

Set the Vented Steel Mounting Bracket in the Pin Slot so that the Bat Wing Stabilizer Bracket is sitting on the bottom edge of the Pin Slot.

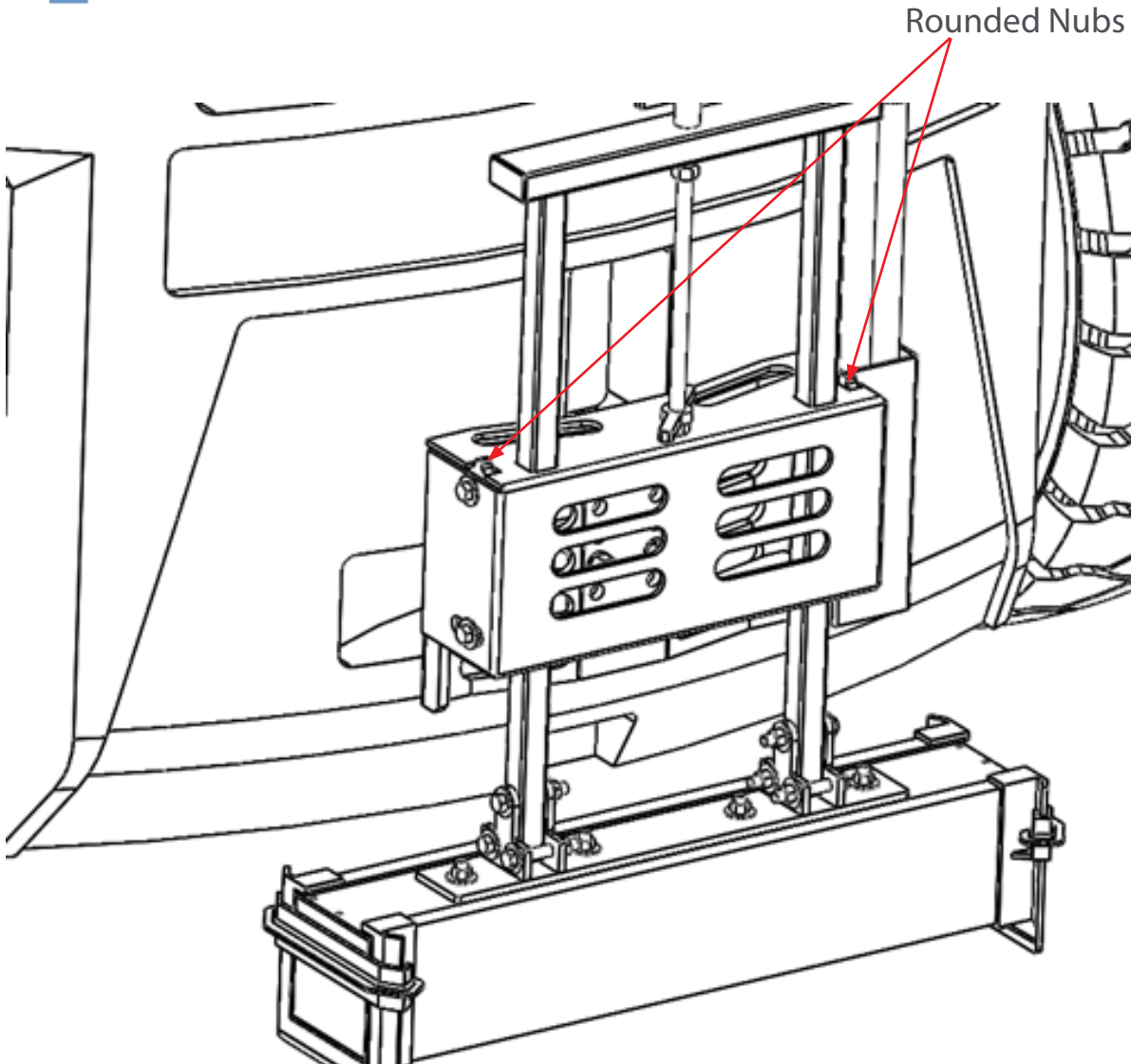
**NOTE:** If in step 3 you did not connect your Bat Wing Stabilizer Bracket to the Steel Vented Mounting bracket because your Pin Slot Height is less than 2 inches, put the Bat Wing Stabilizer Bracket on the threaded rods and then pass the threaded rods through the Steel Vented Mounting Bracket position you need to use as laid out in Step 3.

Otherwise, Insert the threaded rods from the pin hook assembly into the holes of the Steel Vented Mounting Bracket as close to the middle of the vertical set of holes as you can subject to the limits of your Pin Slot height. This will likely require you to lift the Pin hook assembly up within the Pin Slot as you insert the threaded rods through the Steel Vented Mounting Bracket.

Attach using one ½" lock washer and one ½" nut on each protruding threaded rod and tighten firmly.

# FORAGER

## Step 7. Mount the Forager on Mounting Bracket



### Step 7. Mount the Forager on the Steel Vented Mounting Bracket

You are now ready to mount the Forager on the Steel Vented Mounting Bracket. Mounting the Forager is best done with two people due to the weight. Be careful moving the magnet close to the forklift as a pinch hazard exists if the magnet pulls toward the metal back of the forklift.

There are two rounded nubs that protrude from the top of the Steel Vented Mounting Bracket.

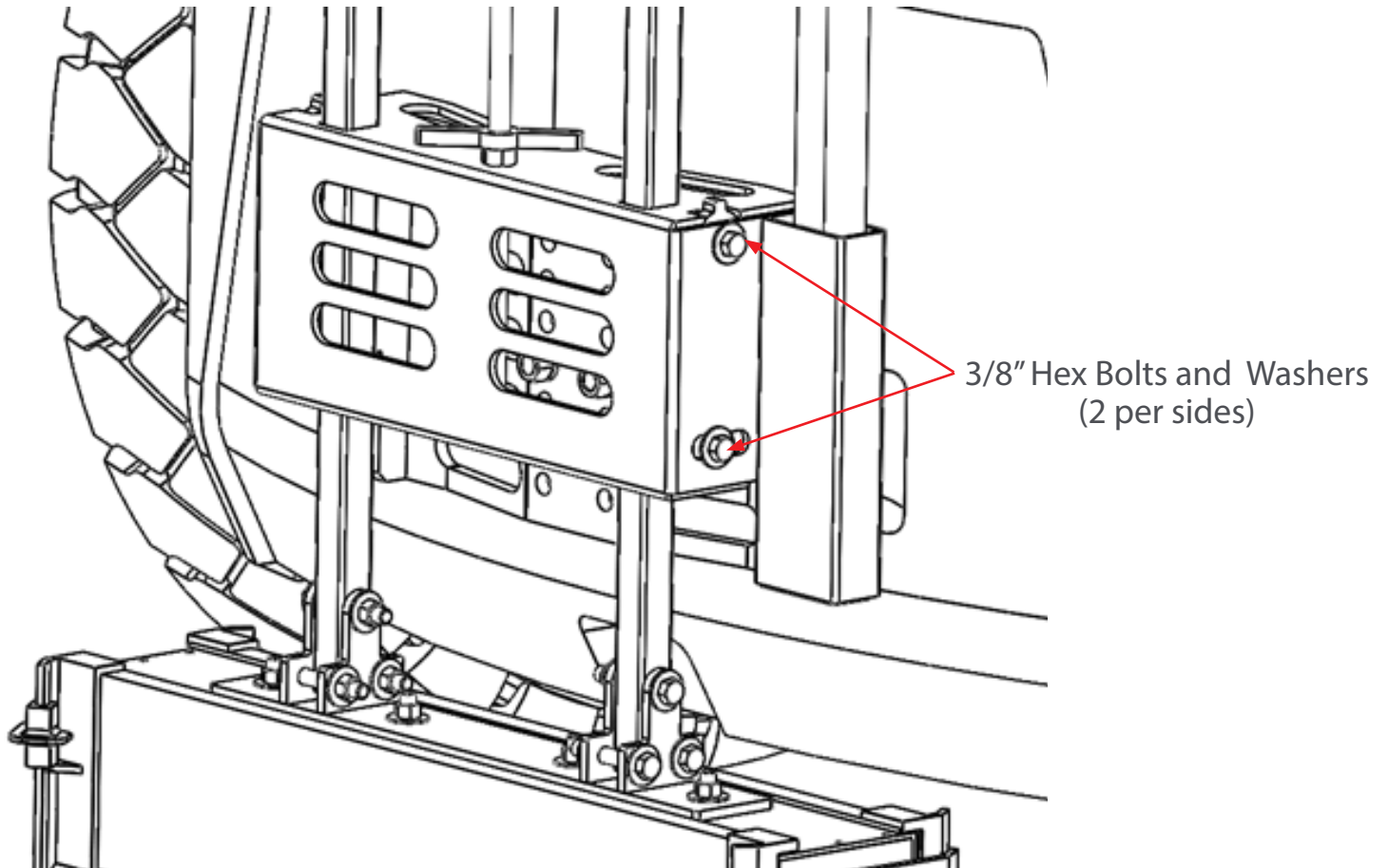
Your objective is to move the Forager and sit it on these nubs so that they protrude through the corresponding slot in the Forager unit.

To accomplish this, have one person on each side of the magnet, pick it up off the ground, and tilt the top of the Forager unit towards the back of the forklift and set it in place on the nubs.

When set in place properly the Forager unit should easily rock back and forth toward and away from the forklift at the bottom.

# FORAGER

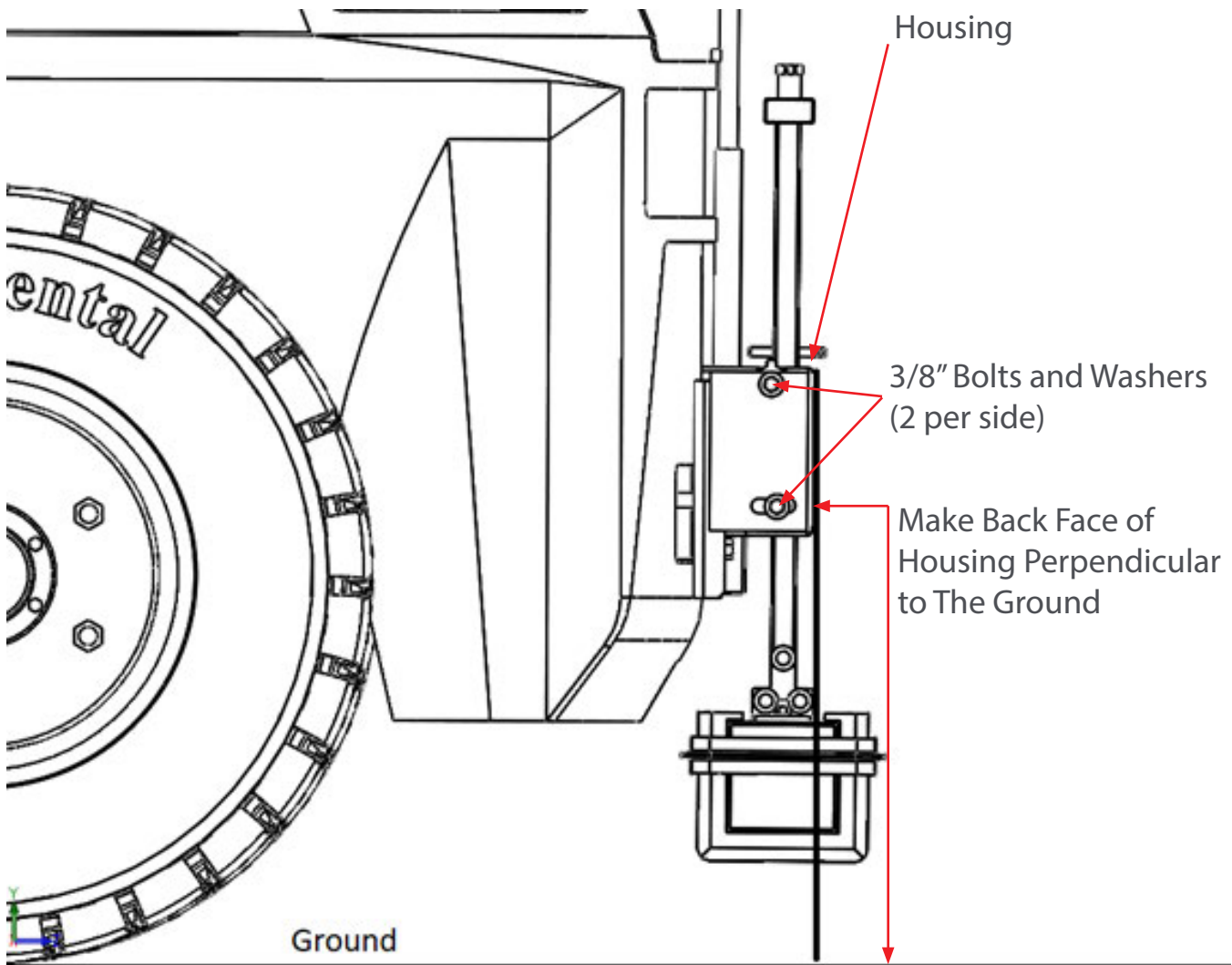
## Step 8. Re-Install the 3/8" Hex Bolts and Washers



### (Step 8) Re-Install the 3/8" Hex Bolts and Washers

Re-install the 3/8" hex bolts and washers (2 per side) that were removed earlier.

## Step 9. Set The Vertical Angle of Housing



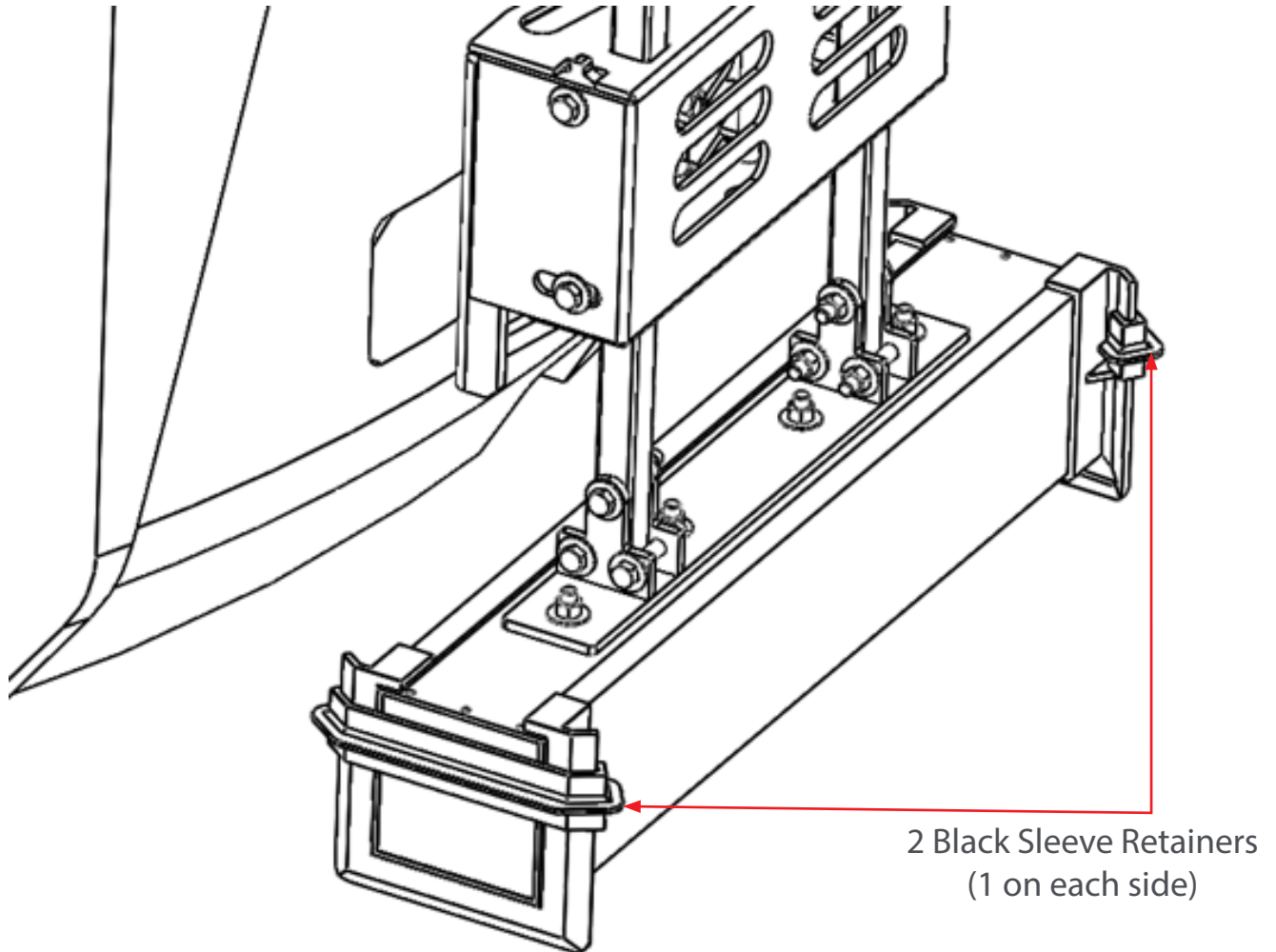
### Step 9) Set the Vertical Angle of Housing

Set the Vertical Angle of the housing to be perpendicular to the ground so that the Forager unit appears straight up and down by moving the bottom of the magnet towards or away from the back of the forklift.

Tighten the 4x 3/8" bolts to lock the vertical angle in place so that it can't change.

# FORAGER

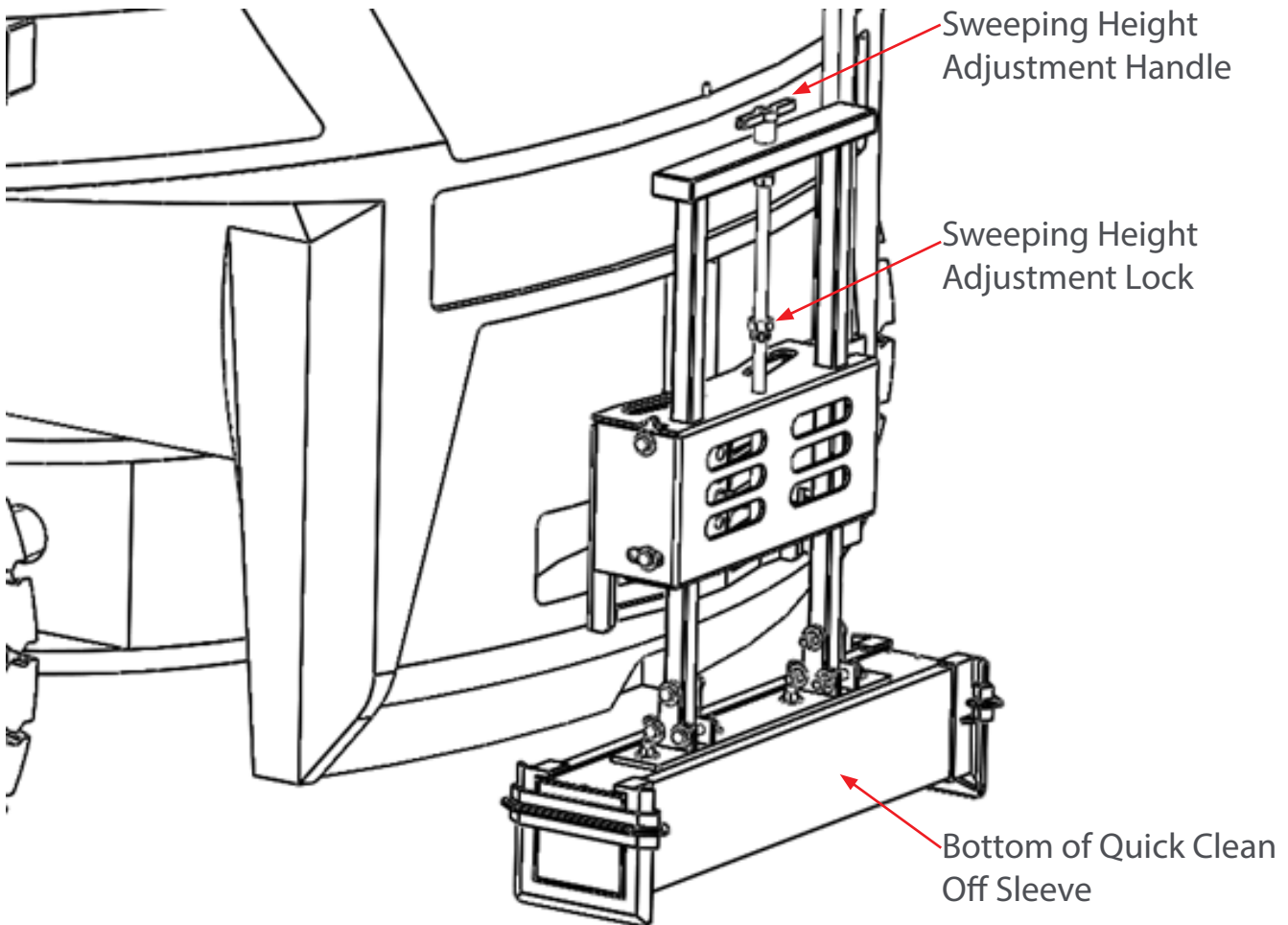
## Step 10. Install Black Sleeve Retainers



### (Step 10) Install Black Sleeve Retainers

Install the 2 black Sleeve Retainers on the Quick Clean Off Sleeve (1 on each side) to prevent the Sleeve from sliding off.

## Step 11. Adjust The Sweeping Height



### (Step 11) Adjust the Sweeping Height

Adjust the sweeping height by turning the top Sweeping Height Adjustment handle on the Forager.

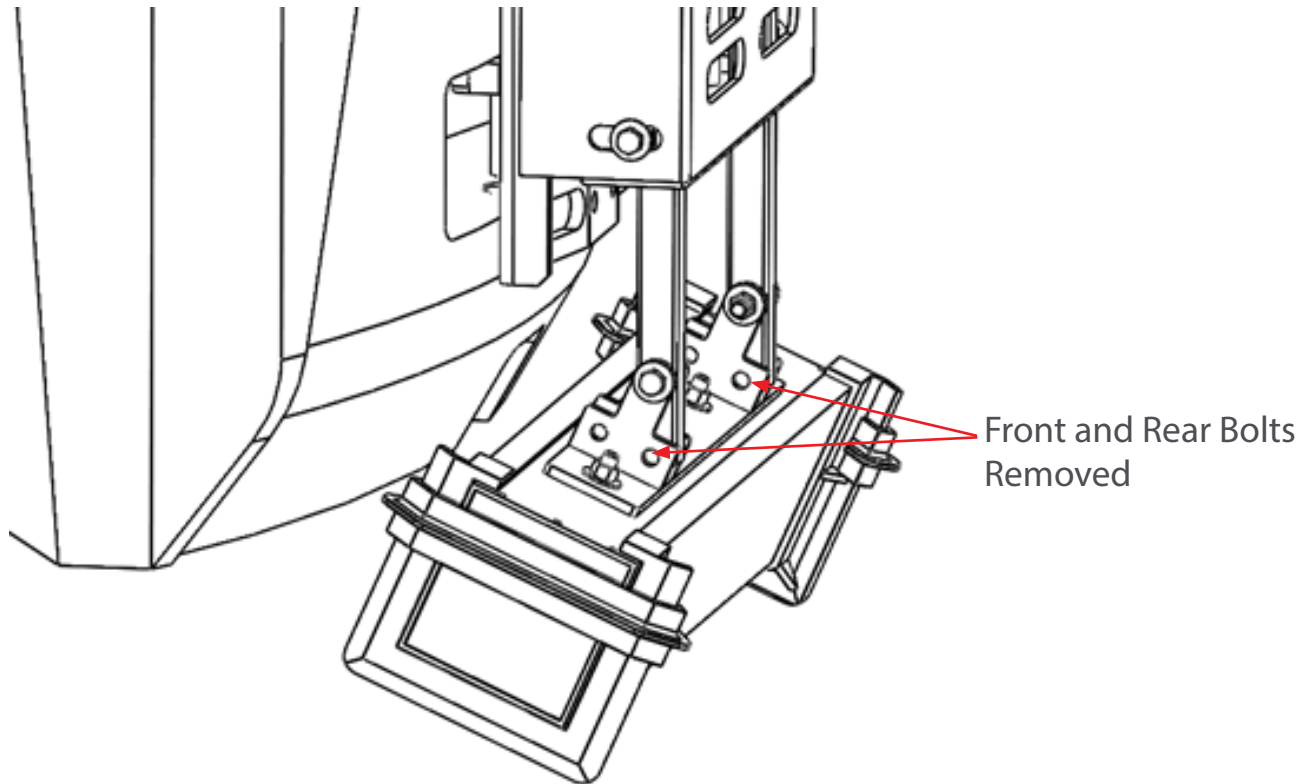
The sweeping height should be set between 3 and 4 inches (measured from the bottom of the Quick Clean Off Sleeve to the ground in the center of the magnet)

Once the sweeping height is set tighten the Sweeping Height Adjustment Lock handle downwards.

This will prevent accidental adjustment to the sweeping height caused by vibration.

# FORAGER

## Step 12. Optional- Set Magnet To Swing Freely



### (Step 12) Optional- Set Magnet to Swing Freely

Optional – Determine whether you want the magnet to be able to swing out of the way forward and backward. On each side of the metal tubes suspending the magnet there is a bolt just above the magnet. Removal of the bolts allow the magnet to swing should the magnet hit anything when the forklift is moving.

Removal of all 4 bolts is recommended to allow free movement of the magnet and reduce the possibility of damage to the magnet in the event it hits anything.

**Removal of the bolts may not be possible in all situations** because the magnet may be in close proximity to the steel back end of the forklift and the magnet may attach to the forklift if allowed to swing. To determine whether this is the case with your forklift, remove the rear bolts only from each side to allow the magnet to swing toward the forklift. Using your hands (keep them clear of any pinch hazard) tilt the magnet toward the back of your forklift and see if the magnet will attach to the forklift. If the magnet will attach to the forklift and stay there without your

manual support, you may want to reinstall the bolts so that the magnet cannot swing. Even though your magnet may attach itself to the forklift in this test, you have to evaluate how likely it is that the magnet will get swinging enough to attach itself to the forklift in normal operating conditions of your forklift. You can remove all 4 bolts to allow the magnet to swing and use the forklift for a period of time to see if the magnet does attach itself to the forklift and how often. If you find it attaching itself to the forklift often you can then reinstall the 4 bolts so that the magnet cannot swing.

**It is imperative that all 4 bolts be either installed or all 4 bolts removed.** DO NOT remove either just the front or the rear bolts. Removal of just the front or the rear bolts will result in the magnet hammering against the metal suspension tubes.

Above is a picture with all 4 bolts removed which allows the magnet to swing forward toward the forklift and backward away from it.

# FORAGER

---

Bluestreak Equipment • 1645 Hwy #3 • Delhi • Ontario • Canada • N4B2W6  
[www.blustreakequipment.com](http://www.blustreakequipment.com)