

Assembly Instructions

FISSION

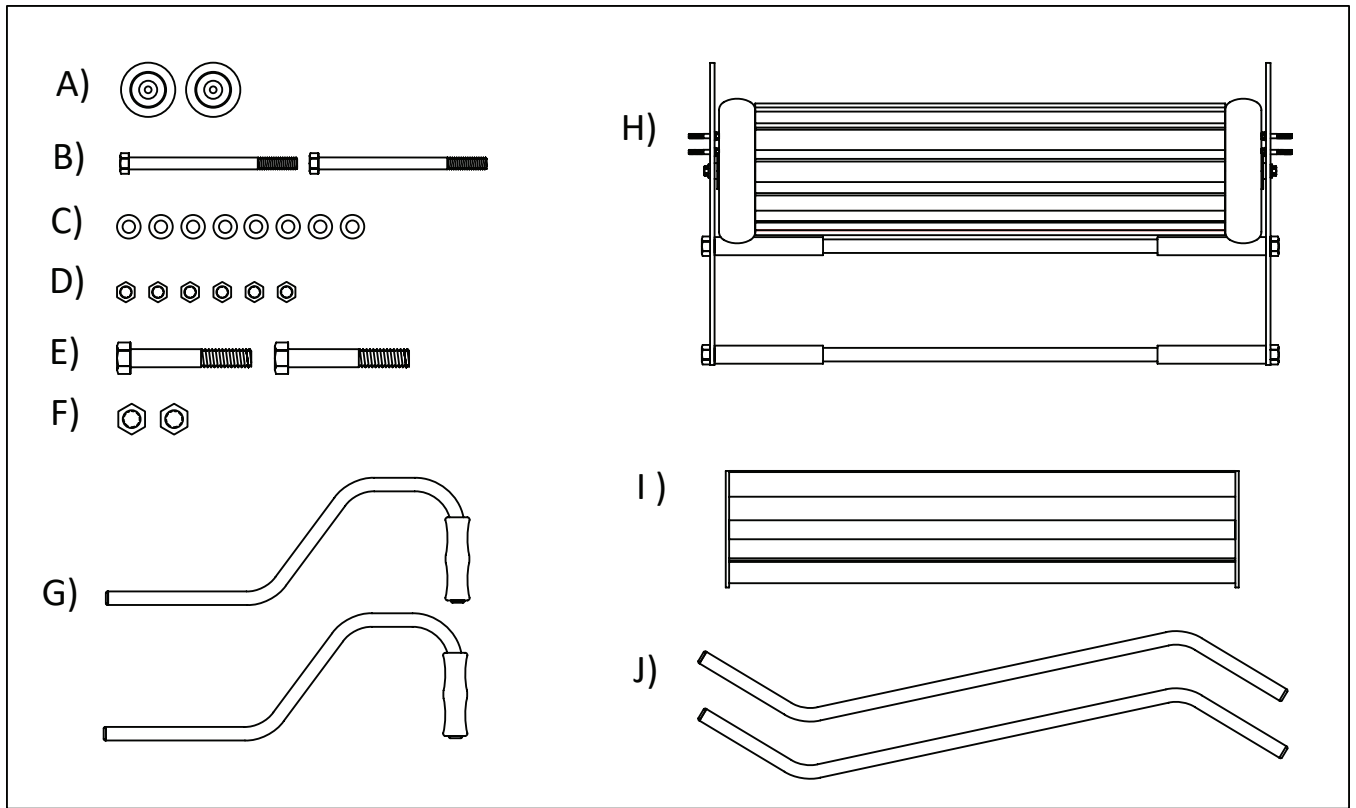
FISSION



Bluestreakequipment
The world's best magnetic cleaning equipment

Bluestreak Equipment
1645 Hwy #3, Delhi
Ontario, Canada
N4B2W6

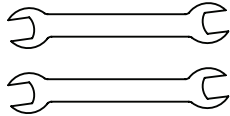
What's in the box



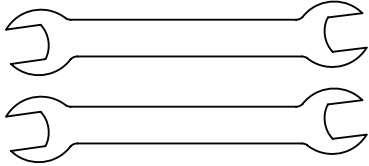
<u>Item</u>	<u>Description</u>	<u>Quantity</u>
A)	3" Wheels	2 pcs
B)	$\frac{1}{4}$ " x $3\frac{1}{2}$ " Hex Bolt	2 pcs
C)	$\frac{1}{4}$ " Washers	8 pcs
D)	$\frac{1}{4}$ " Nyloc Nuts	6 pcs
E)	$\frac{3}{8}$ " x $2\frac{1}{2}$ " Hex Bolts	2 pcs
F)	$\frac{3}{8}$ " Nyloc Nuts	2 pcs
G)	Upper Handles	2 pcs
H)	Sweeper Assembly	1 pc
I)	Tray	1 pc
J)	Lower Handle Arms	2 pcs

Tools Needed:

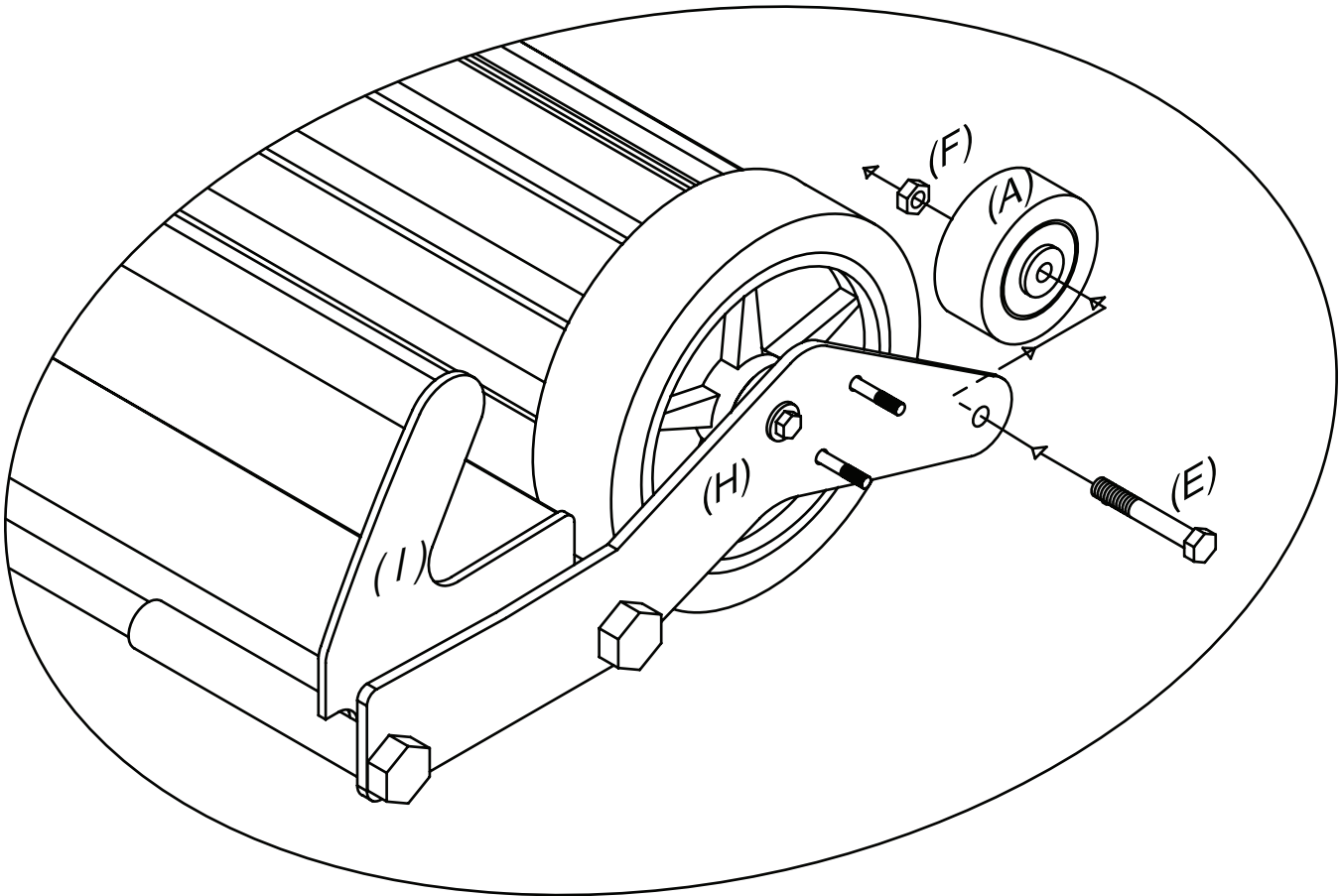
7/16 wrench x 2



9/16" wrench x 2



Step 1. Three inch wheel attachment



(Step 1) Rear 3" Diameter Wheel Attachment

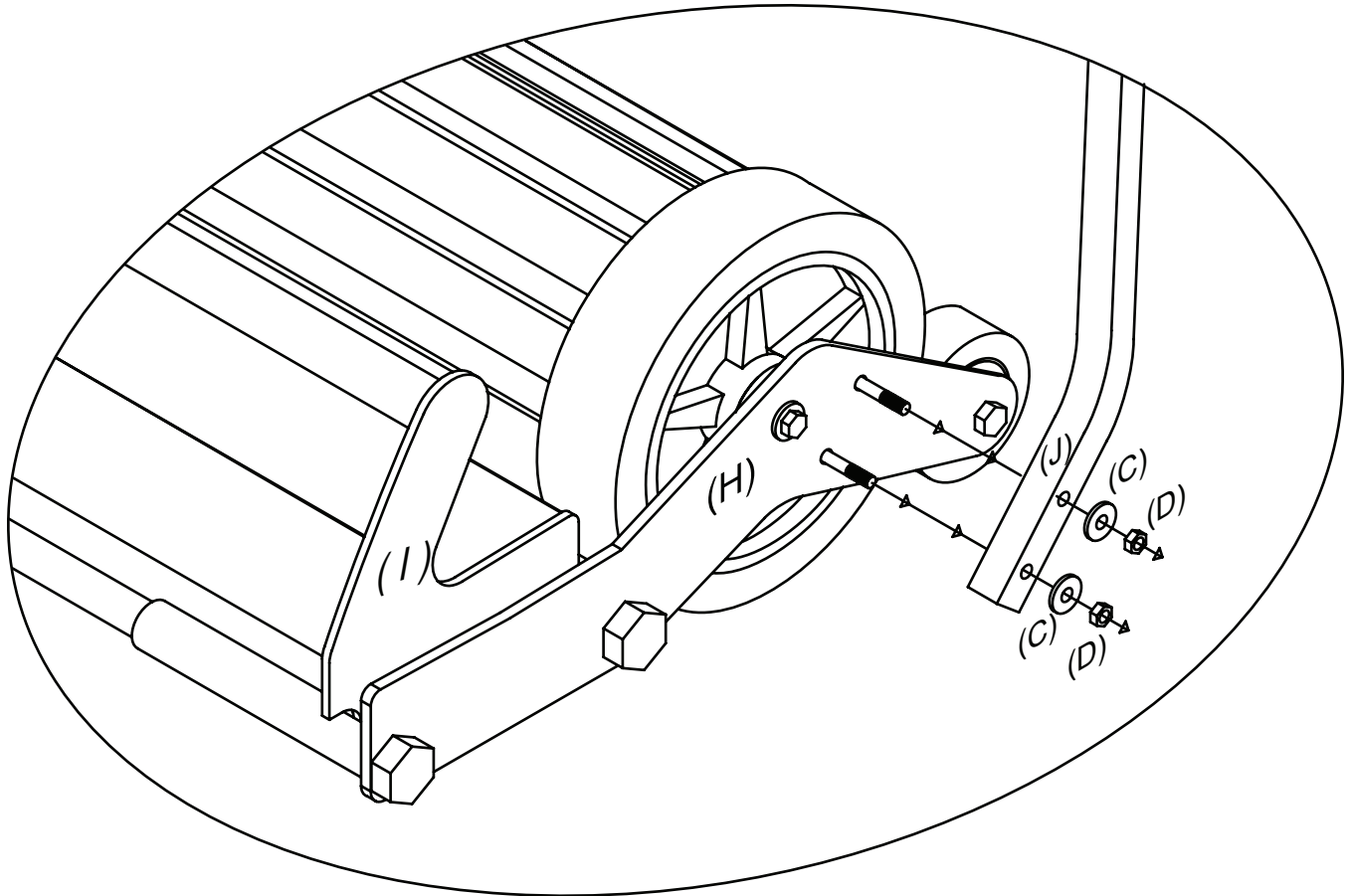
Insert 3/8" x 2 1/2" Hex Bolt (Item E) through Sweeper Assembly (Item H) through 3" Wheel (Item A) and fasten on a 3/8" Nyloc Nut (Item F).

Repeat for opposite side making sure both wheels are on the inside of the Sweeper assembly.

Tighten bolts firmly.

FISSION

Step 2. Lower handle arms assembly



(Step 2) Lower Handle Arms Assembly.

The Lower Handle Arms (Item J) have different spacing between the holes on each end.

Attach the end of the Handle Arms (Item J) with the least distance between the holes to the Sweeper assembly (Item H).

The Sweeper Assembly already has the bolts installed and they are sticking out of the side.

Pull the bolts outwards towards you and put something in behind them to prevent them from pushing inwards to the wheel (a short ruler can be used or you may be able to hold them with your finger from underneath).

Place the Handle Arm (Item H) over the bolts and

install a Washer (Item C) and a Nyloc Nut (Item D) over each of the 2 bolts.

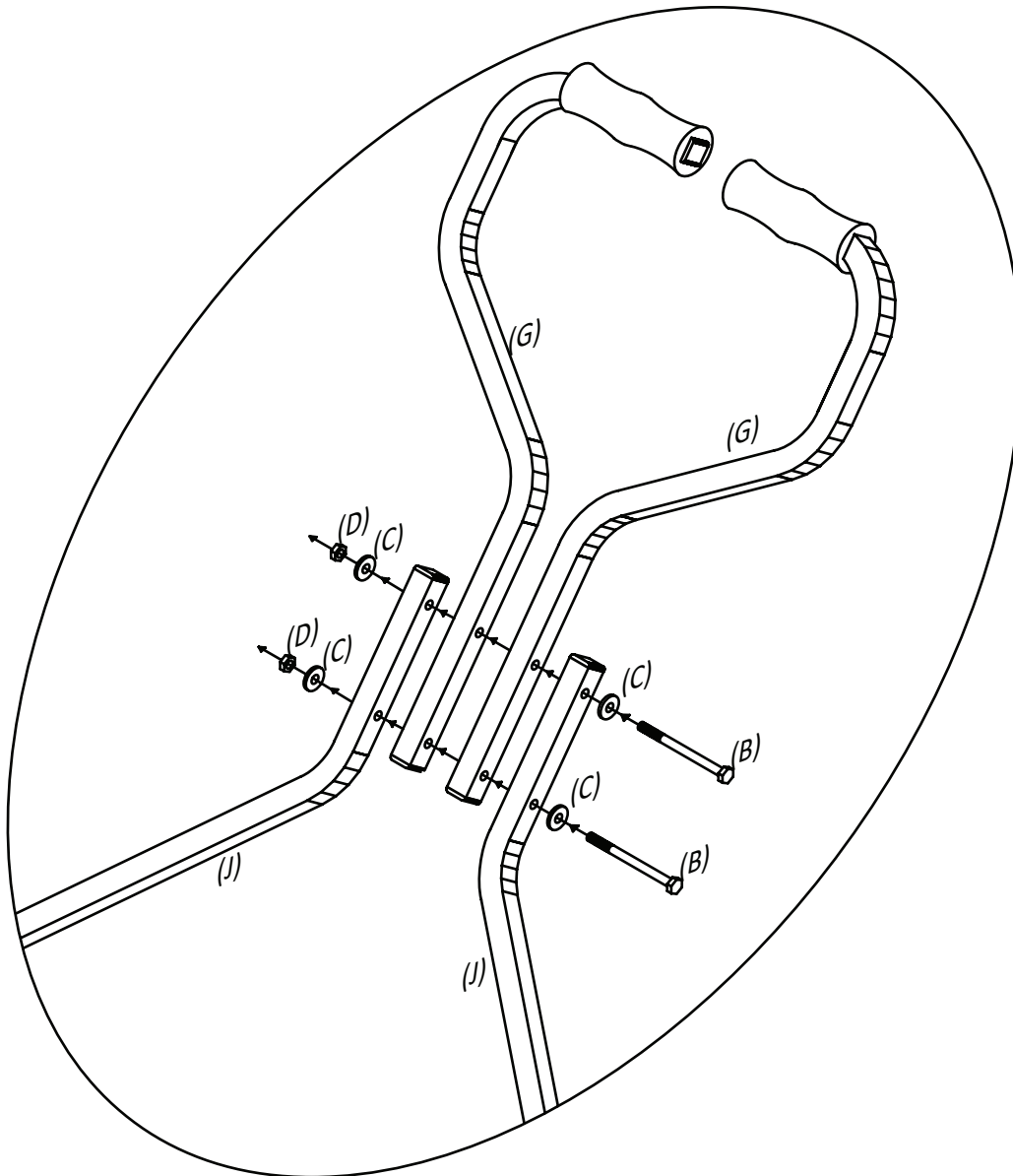
Once you have then Nuts started on, you can then remove the ruler or whatever you used to keep the bolts from pushing inward.

Repeat for opposite side making sure the Handle Arms are curving inward towards each other.

Do not tighten these bolts until after step 3.

FISSION

Step 3. Upper handle assembly



(3) Upper Handle Assembly

Attach Upper Handles (G) to Lower Handle Arms (J) using 2pcs 3 1/2" Hex Bolt (Item B), 4pcs 1/4" Washers (Item C), and 2pcs 1/4" Nyloc Nuts (Item D).

Firmly tighten all bolts in this and previous step.

FISSION