

Ecko Series™

Assembly Instructions

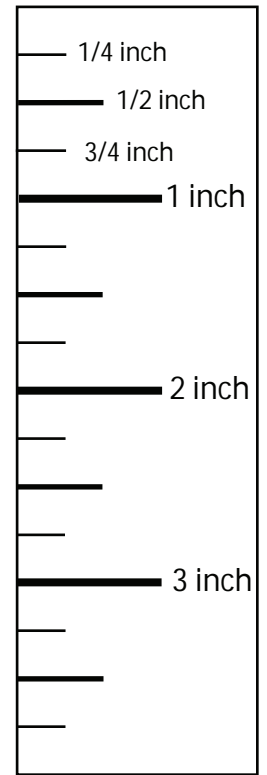
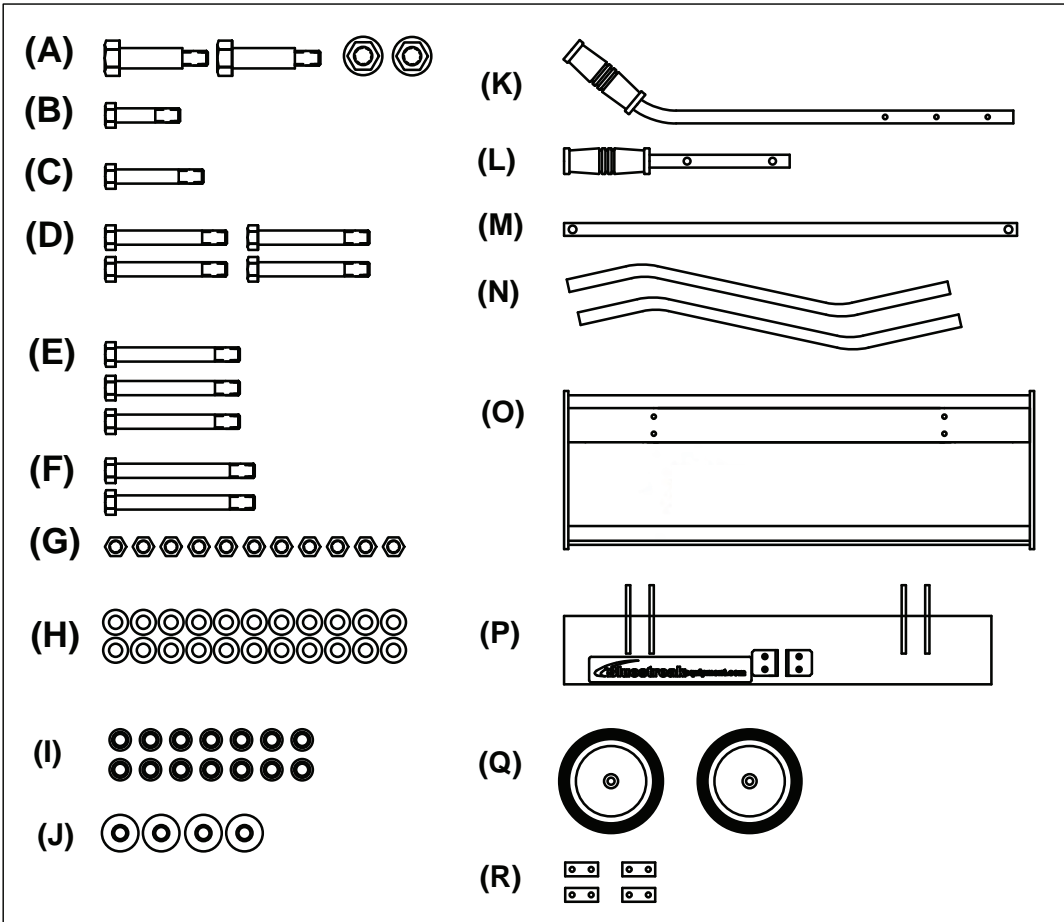
For further assembly help please view the
assembly video online at:
www.bluestreakequipment.com



Ecko Series™
by Bluestreakequipment

What's in the box

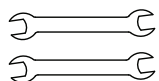
4 inch ruler to measure bolt size



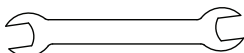
Item	Quantity	Description
A	2pcs	1/2" Wheel Bolts and Flange Nuts
B	1pc	1/4" x 1 1/4" Hex Bolt
C	1pc	1/4" x 1 3/4" Hex Bolt
D	4pcs	1/4" x 2" Hex Bolts
E	3pcs	1/4" x 2 1/4" Hex Bolts
F	2pcs	1/4" x 2 3/4" Hex Bolts
G	11pcs	1/4" Hex Nuts
H	22pcs	1/4" Washers
I	14pcs	Small Nylon Flange Bushings
J	4pcs	Large Nylon Flange Bushings
K	1pc	Upper Y- handle
L	1pc	Release Lever
M	1pc	Release Rod
N	2pcs	Lower Y-handle Arms
O	1pc	Magnetic Sweeper Base
P	1pc	Magnet Assembly
Q	2pcs	6" Plastic Wheel
R	4pcs	Handle Mounting Brackets

Tools Needed:

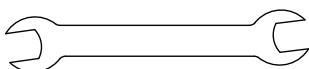
7/16 wrench x 2



9/16" wrench x 1



3/4 wrench x 1



Ecko Series™
 by Bluestreak_{equipment}

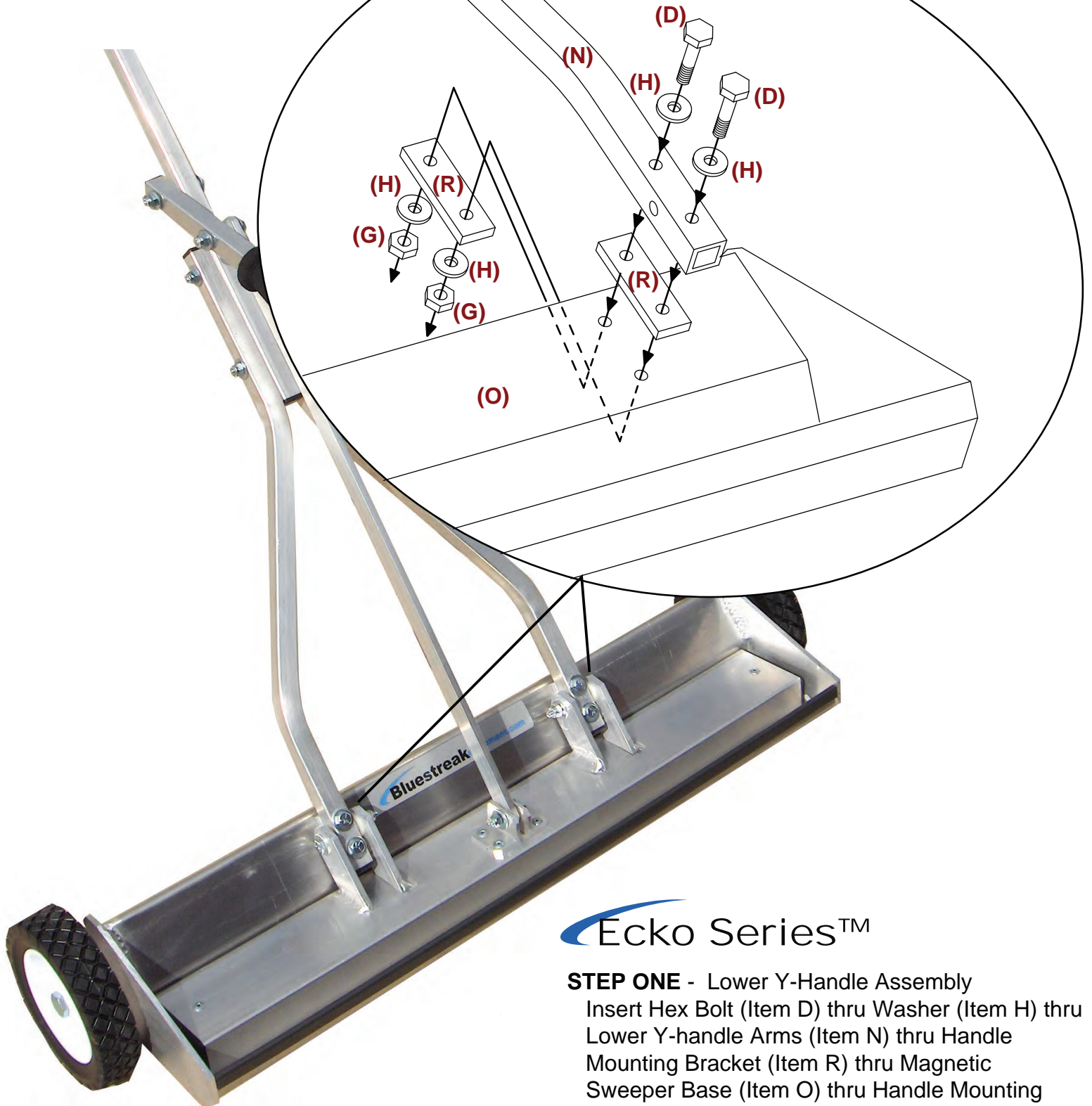
For further assembly help please view the assembly video online at:
www.bluestreakequipment.com

Ecko Series™ Assembly Instructions

1.

STEP ONE

Lower Y-Handle Assembly



Ecko Series™

STEP ONE - Lower Y-Handle Assembly

Insert Hex Bolt (Item D) thru Washer (Item H) thru Lower Y-handle Arms (Item N) thru Handle Mounting Bracket (Item R) thru Magnetic Sweeper Base (Item O) thru Handle Mounting Bracket (Item R) thru Washer (Item H) and fasten on a Hex Nut (Item G) hand tight only. Repeat this step for both holes on each side of the magnetic sweeper. Do not tighten bolts used in this step until completing step 3.

Assembly Instructions

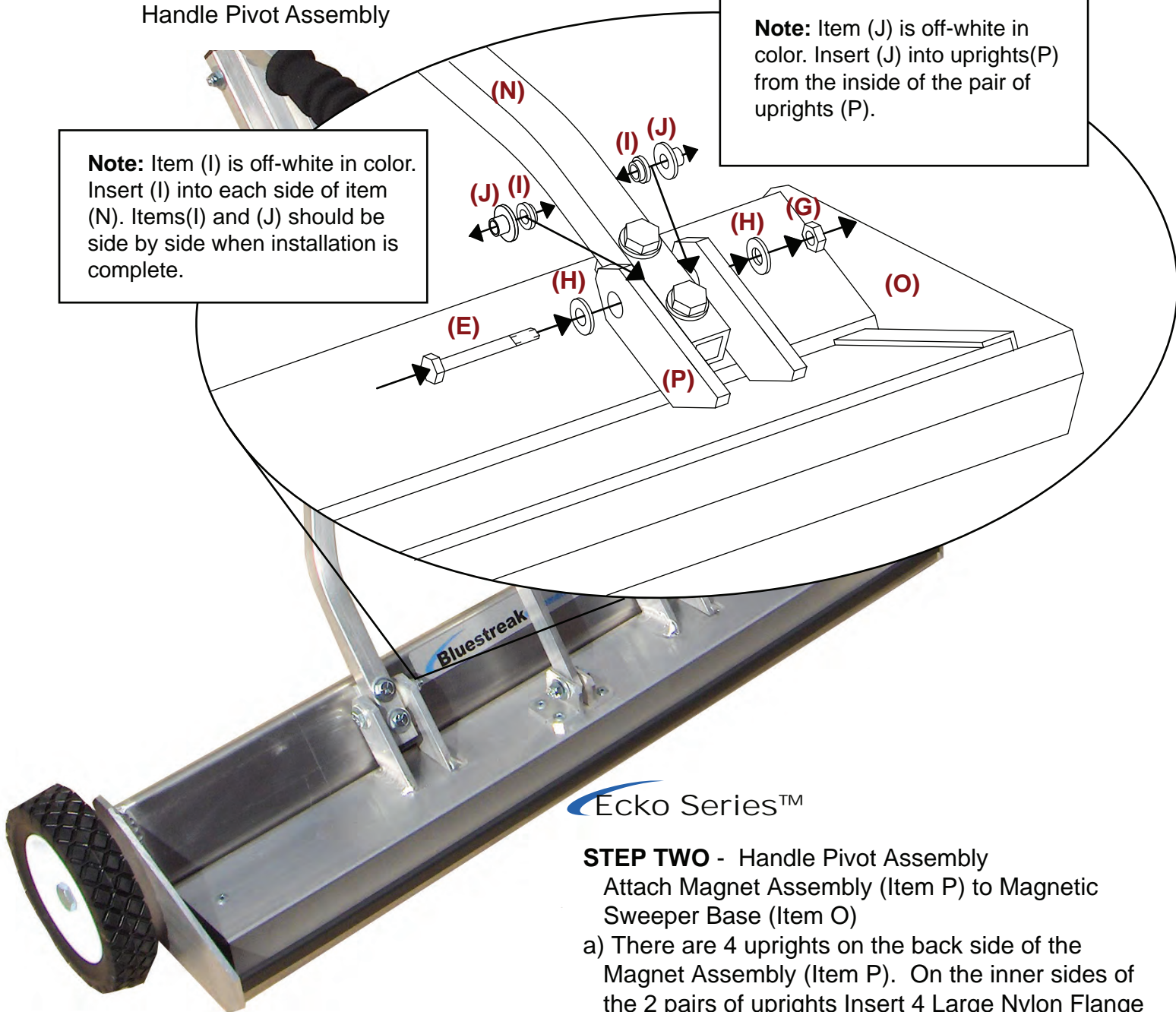
2.

STEP TWO

Handle Pivot Assembly

Note: Item (I) is off-white in color. Insert (I) into each side of item (N). Items (I) and (J) should be side by side when installation is complete.

Note: Item (J) is off-white in color. Insert (J) into uprights (P) from the inside of the pair of uprights (P).



Ecko Series™

STEP TWO - Handle Pivot Assembly

Attach Magnet Assembly (Item P) to Magnetic Sweeper Base (Item O)

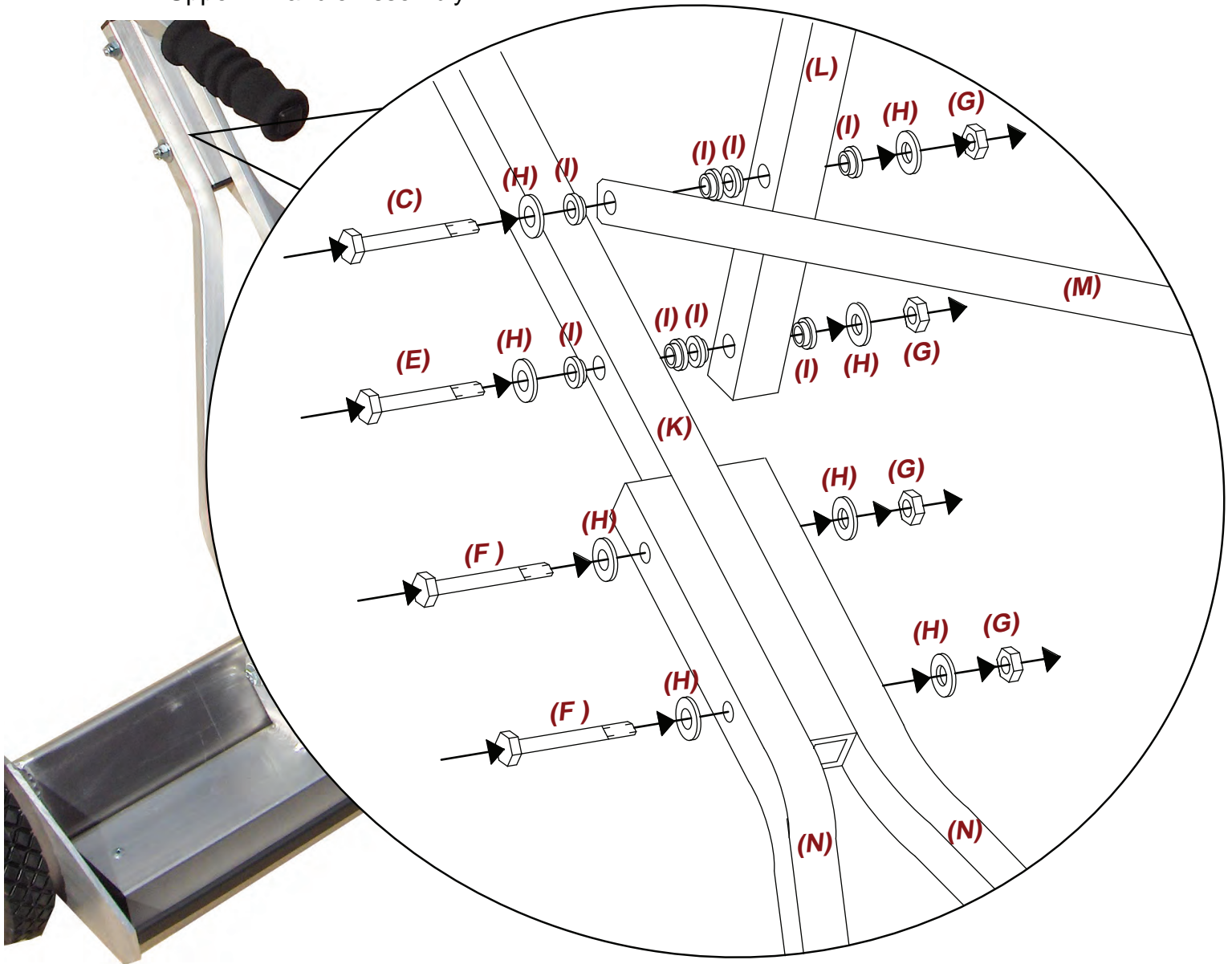
- There are 4 uprights on the back side of the Magnet Assembly (Item P). On the inner sides of the 2 pairs of uprights Insert 4 Large Nylon Flange Bushings (Item J).
- On the lower end of the Lower Y-handle Arms (Item N) (same end that was fastened in (Step 1) Insert one Small Nylon Flange Bushing (Item I) into each side of the Lower Y-Handle Arms (Item N), 4 pcs total.
- Slide Magnet Assembly (Item P) over top of Lower Y-handle arms (Item N) and attach each side using 1 Hex Bolt (Item E), 2 Washers (Item H) and one Hex Nut (Item G). Tighten bolt gently. Over tightening bolt will interfere with operation of sweeper and produce a "squeaky" sound.

Assembly Instructions

3.

STEP THREE

Upper Y-Handle Assembly



Ecko Series™

STEP THREE - Upper Y-Handle Assembly

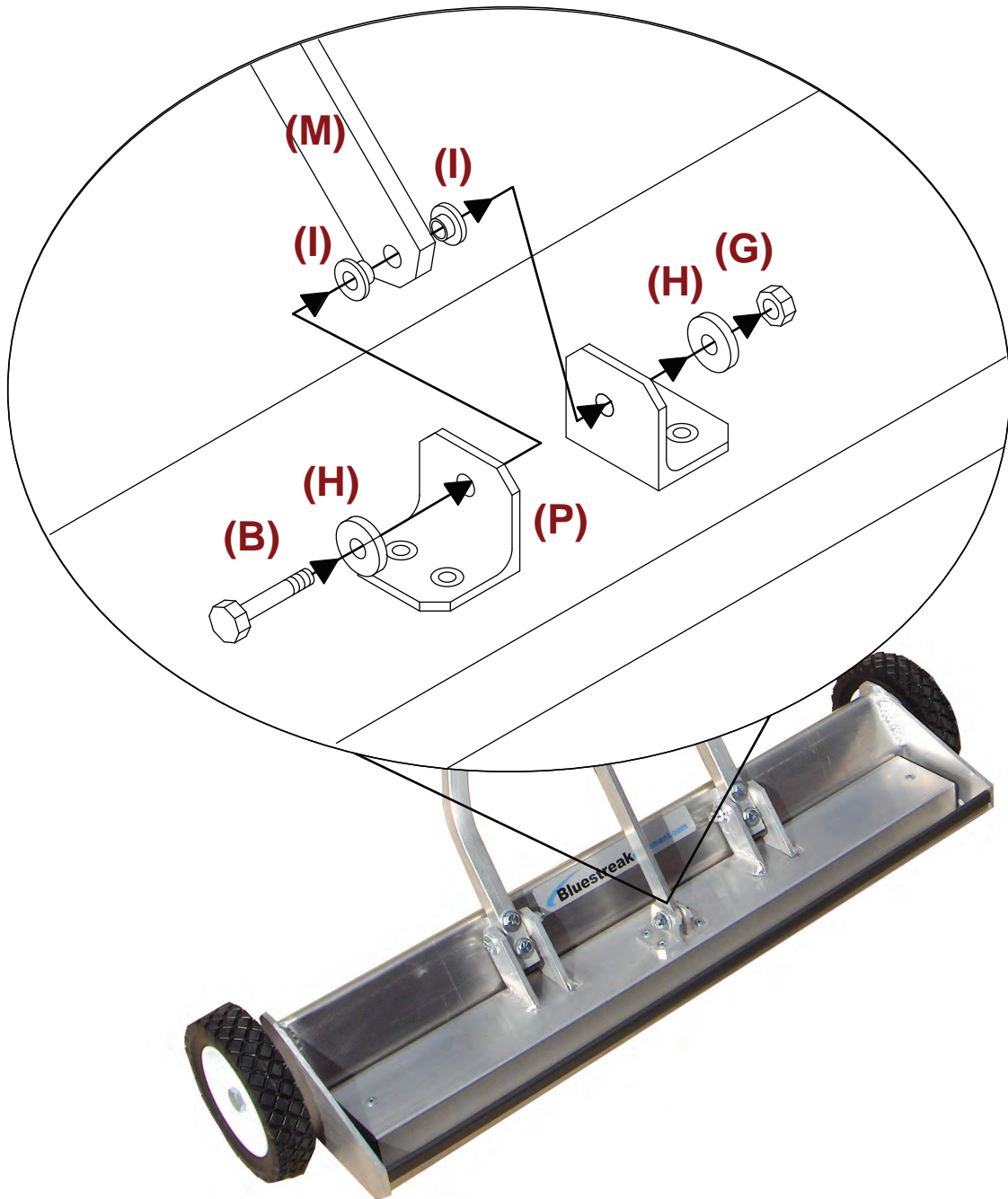
- Attach Upper Y-handle (Item K) to Lower Y-handle Arms (Item N) using 2 Hex Bolts (Item F), 4 Washers (Item H), and 2 Hex Nuts (Item G). Tighten these 2 bolts firmly using two 7/16 wrenches, and also tighten the bolts installed in Step 1.
- Insert one Small Nylon Flange Bushings (Item I) into each of the four holes of Release Lever (Item L). Insert one Small Nylon Flange bushings (Item I) into each of the 2 holes of Upper Y-Handle (Item K).
- Attach Release Lever (Item L) to Upper Y-Handle (Item K) using one Hex Bolt (Item E), 2 Washers (Item H), and 1 Hex Nut (Item G). Tighten bolt gently. Over tightening bolt will interfere with pivoting operation of sweeper and produce a “squeaky” sound.
- Insert 2 Nylon Flange Bushing (Item I), one in each side of Release Rod (Item M). Attach Release Rod (Item M) to Release Lever (Item L) using one Hex Bolt (Item C), 2 Washers (Item H), and 1 Hex Nut (Item G).

Assembly Instructions

4.

STEP FOUR

Lower Release Assembly



Ecko Series™

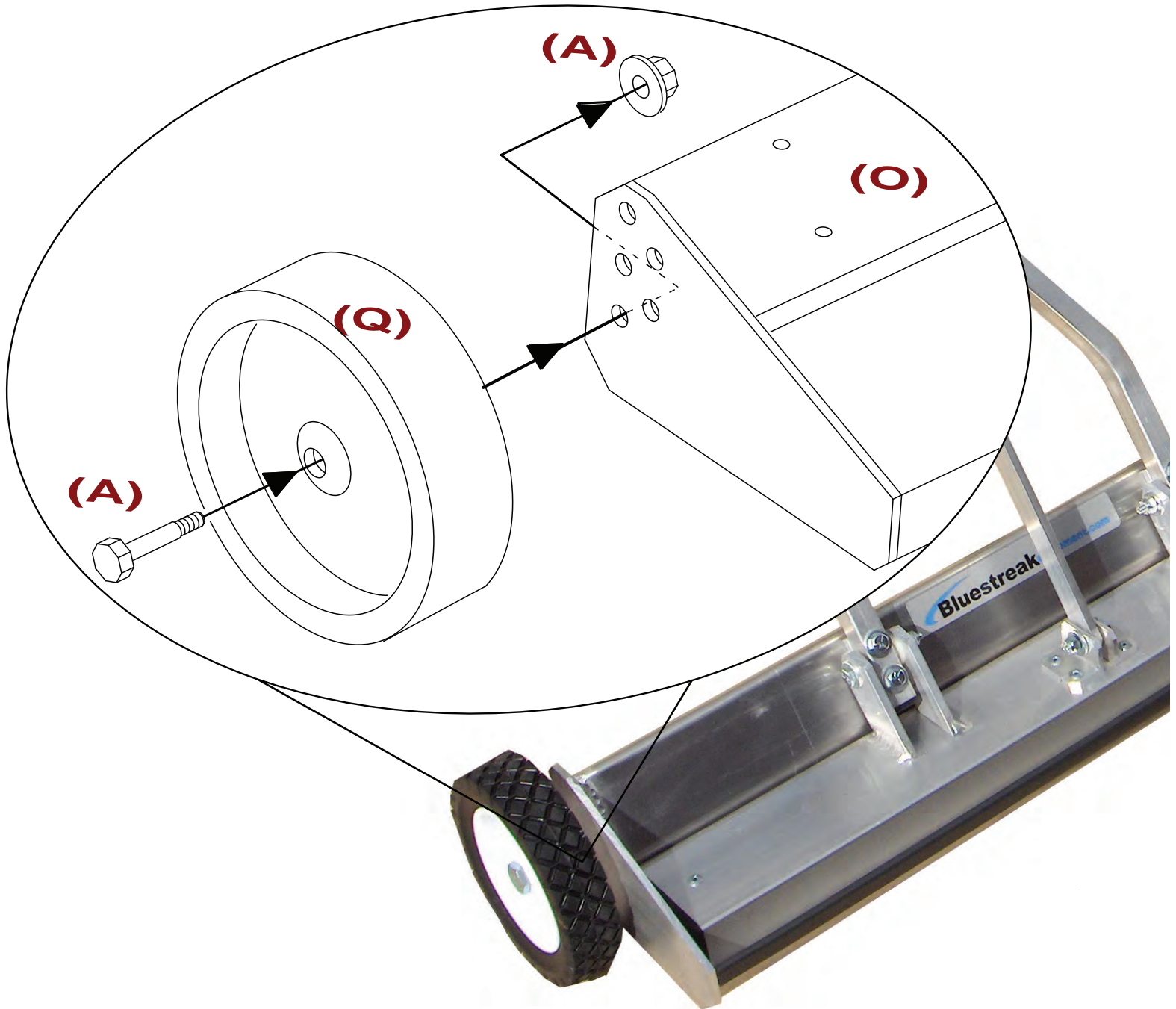
STEP FOUR - Lower Release Assembly

Insert 2 Small Nylon Flange Bushing (Item I), one in each side of Release Rod (Item M). Attach Release Rod (Item M) to Magnet Assembly (Item P) using one Hex Bolt (Item B), 2 Washers (Item H), and 1 Hex Nut (Item G). Tighten bolt gently. Over tightening bolt will interfere with operation of sweeper and produce “squeaky” sound.

Assembly Instructions

5.

STEP FIVE Wheel Assembly



 Ecko Series™

STEP FIVE- Wheel Assembly

Insert 1/2" Wheel Bolts (Item A) through 6" Plastic Wheel (Item Q), through desired hole location on Magnetic Sweeper Base (Item O) and tighten on flanged hex nut. Tighten firmly using one 3/4" and one 9/16" wrench. Repeat for opposite side.