

Assembly Instructions

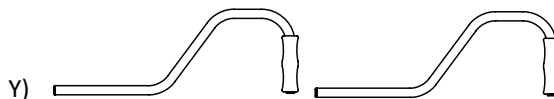
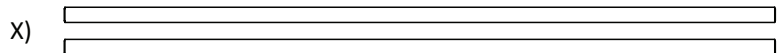
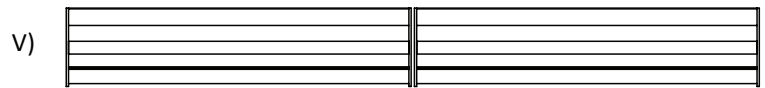
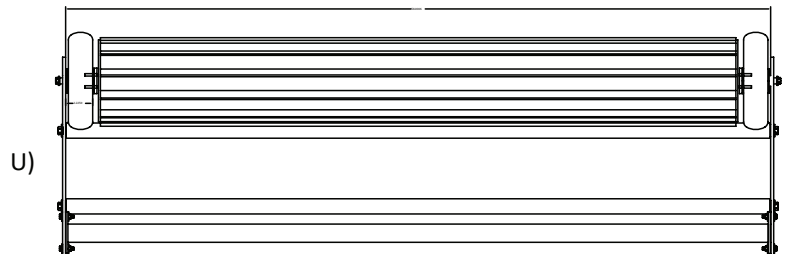
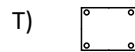
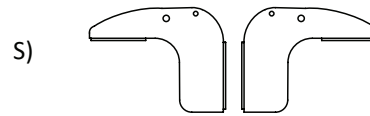
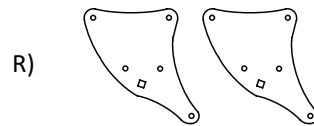
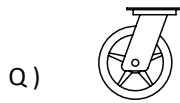
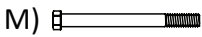
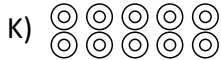
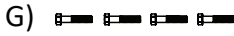
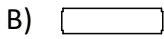
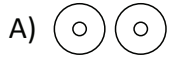
ATMOS



Bluestreakequipment
The world's best magnetic cleaning equipment

Bluestreak Equipment
1645 Hwy #3, Delhi
Ontario, Canada
N4B2W6

What's in the box

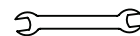
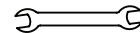


What's in the box

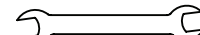
<u>Item</u>	<u>Description</u>	<u>Quantity</u>
A)	Lower Tongue Bushings	2 pcs
B)	Handle Stopper	1 pcs
C)	Tri Knobs	4 pcs
D)	$\frac{1}{4}$ " Nuts	2 pcs
E)	$\frac{1}{4}$ " Nyloc Nuts	8 pcs
F)	$\frac{1}{4}$ " Washers	20 pcs
G)	$\frac{1}{4}$ " x 1 $\frac{1}{4}$ " Hex Bolts	4 pcs
H)	$\frac{1}{4}$ " x 2 $\frac{1}{4}$ " Hex Bolts	4 pcs
I)	$\frac{1}{4}$ " x 5 $\frac{1}{2}$ " Hex Bolts	2 pcs
J)	$\frac{3}{8}$ " Nyloc Nuts	4 pcs
K)	$\frac{3}{8}$ " Washers	10 pcs
L)	$\frac{3}{8}$ " x 1" Hex Bolts	10 pcs
M)	$\frac{1}{2}$ " x 5 $\frac{1}{2}$ " Hex Bolts	1 pcs
N)	$\frac{1}{2}$ " Washers	2 pcs
O)	$\frac{1}{2}$ " Lock Washer	1 pcs
P)	$\frac{1}{2}$ " Nut	1 pcs
Q)	6" Caster	1 pcs
R)	Upper Frame Connector Plates	2 pcs
S)	Caster Mounts	2 pcs
T)	Caster Spacer	1 pcs
U)	Sweeper Assembly	1 pcs
V)	Trays	2 pcs
W)	Tongue	1 pcs
X)	Upper Frame Rods	2 pcs
Y)	Handles	2 pcs

Tools Needed:

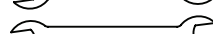
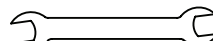
7/16" wrench x 2



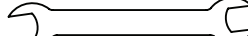
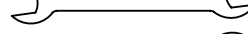
1/2" wrench x 1



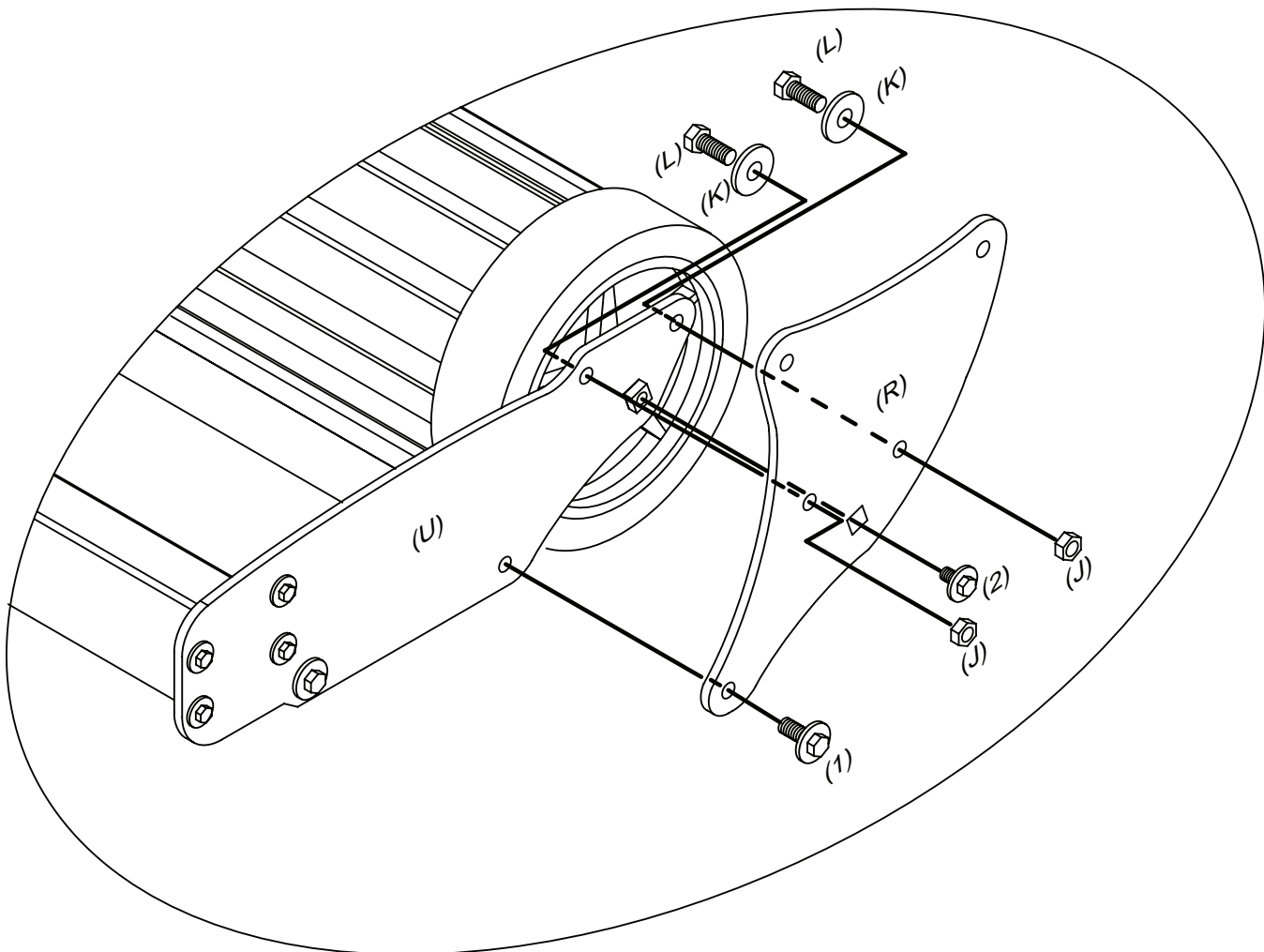
9/16" wrench x 2



3/4" wrench x 2



Step 1. Upper frame connectors



(Step 1) Upper Frame Connector Plates Assembly.

Remove the fasteners 1 and 2 that come pre-installed in Item U. Install 2 pcs 3/8" x 1" Hex bolts (Item L) with a Washer (Item K) on them in through the back side of Item U.

This part may be difficult. You may have to rock the wheel back and forth to obtain enough clearance to do this.

When you do get both of them in place you will need to put something behind them (we use a flexible steel ruler) to keep them from pushing inwards towards the wheel.

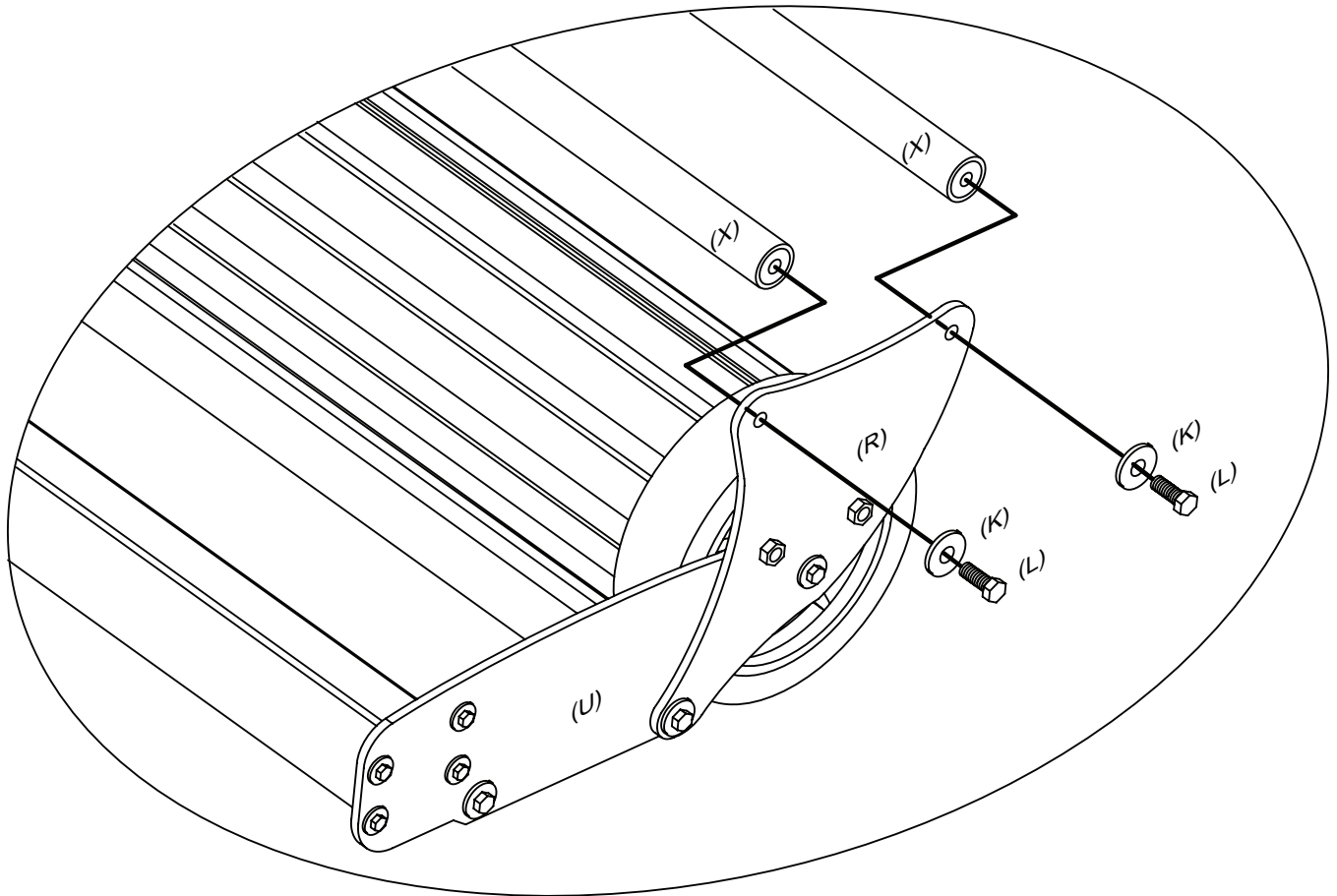
Place the square hole in the Upper frame connector plates (Item R) over square axle shaft and reinstall fasteners 1 and 2. Install a 3/8" Nyloc Nut (Item J) onto each of the 3/8" bolt threads (Item L) that are sticking through upper frame connector plates (Item R).

Repeat for opposite side.

Tighten all bolts firmly.

ATMOS

Step 2. Upper frame

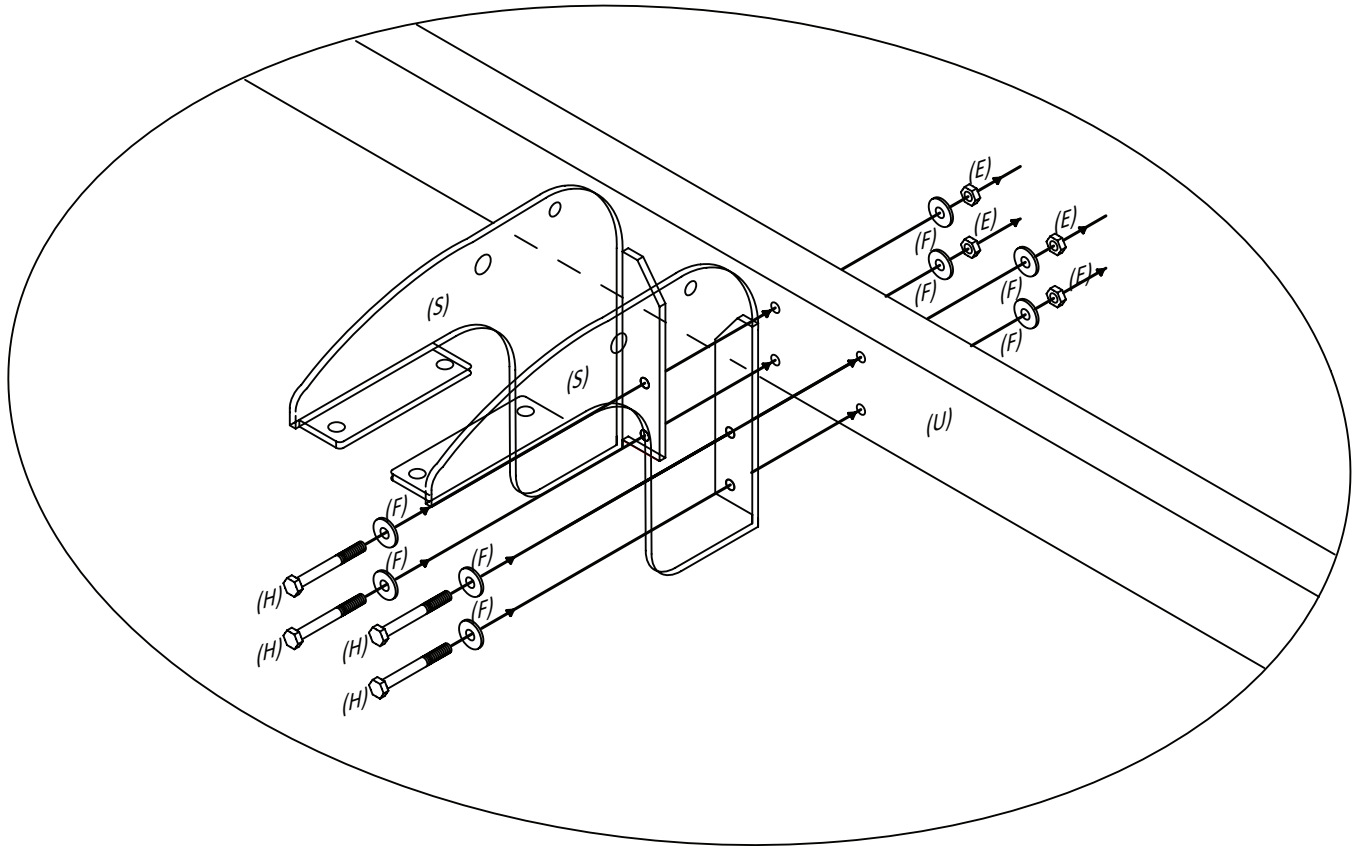


(Step 2) Upper Frame Assembly.

Attach Upper frame rods (Item X) to Upper Frame Connector Plates (Item R) by using 4pcs 3/8" x 1" Hex Bolts (Item L) and 4 Pcs 3/8" Washer (Item K).

Tighten all bolts firmly.

Step 3. Caster mounts assembly



(Step 3) Caster Mounts Assembly.

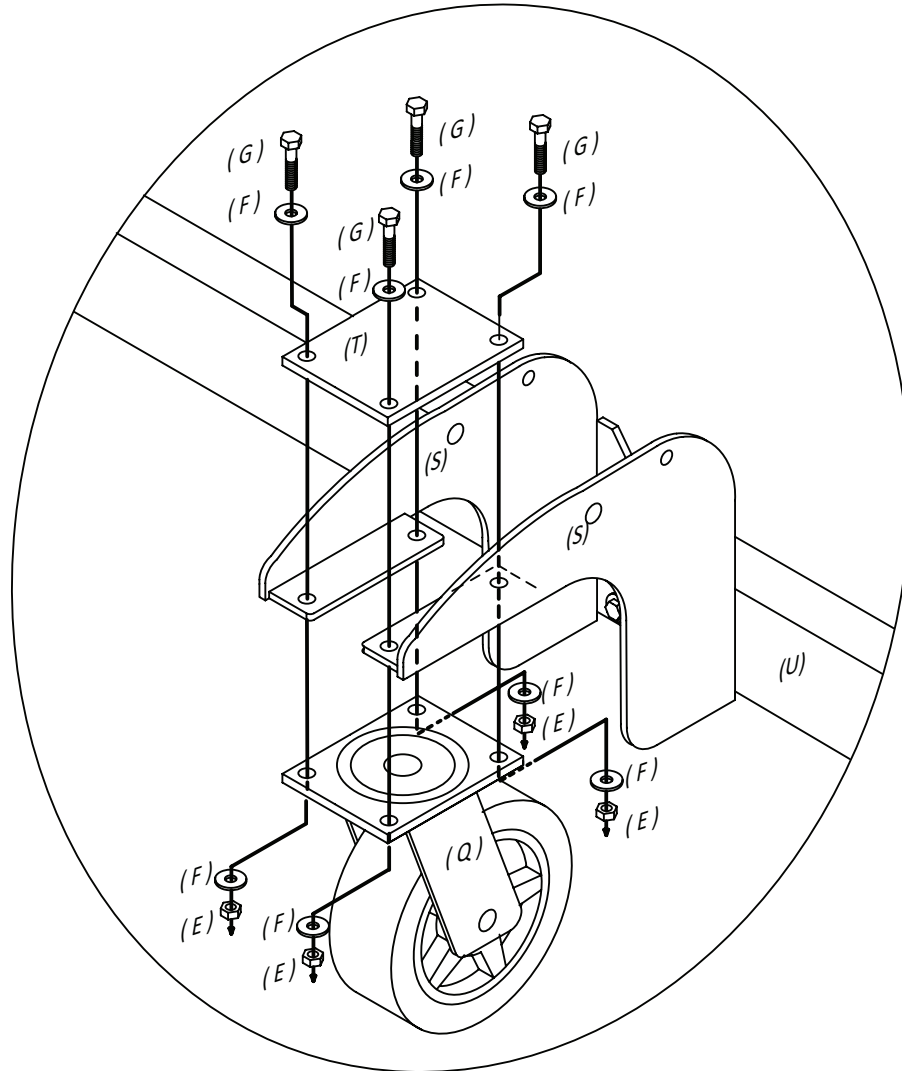
Attach Caster Mounts (Item S) to the front side of Sweeper Assembly (Item U) using 4pcs $\frac{1}{4}$ " x 2 $\frac{1}{4}$ " Hex Bolt (Item H), 8pcs $\frac{1}{4}$ " Washers (Item F), and 4pcs $\frac{1}{4}$ " Nyloc Nuts (Item E).

Install Caster mounts so the bent tabs are facing inward toward each other.

You can fasten the caster mounts on only enough so they are still movable. Do not tighten the bolts until they prevent movement.

ATMOS

Step 4. Caster assembly



(Step 4) Caster Assembly.

Place the Caster Spacer (Item T) on top of the Caster Mounts (Item S).

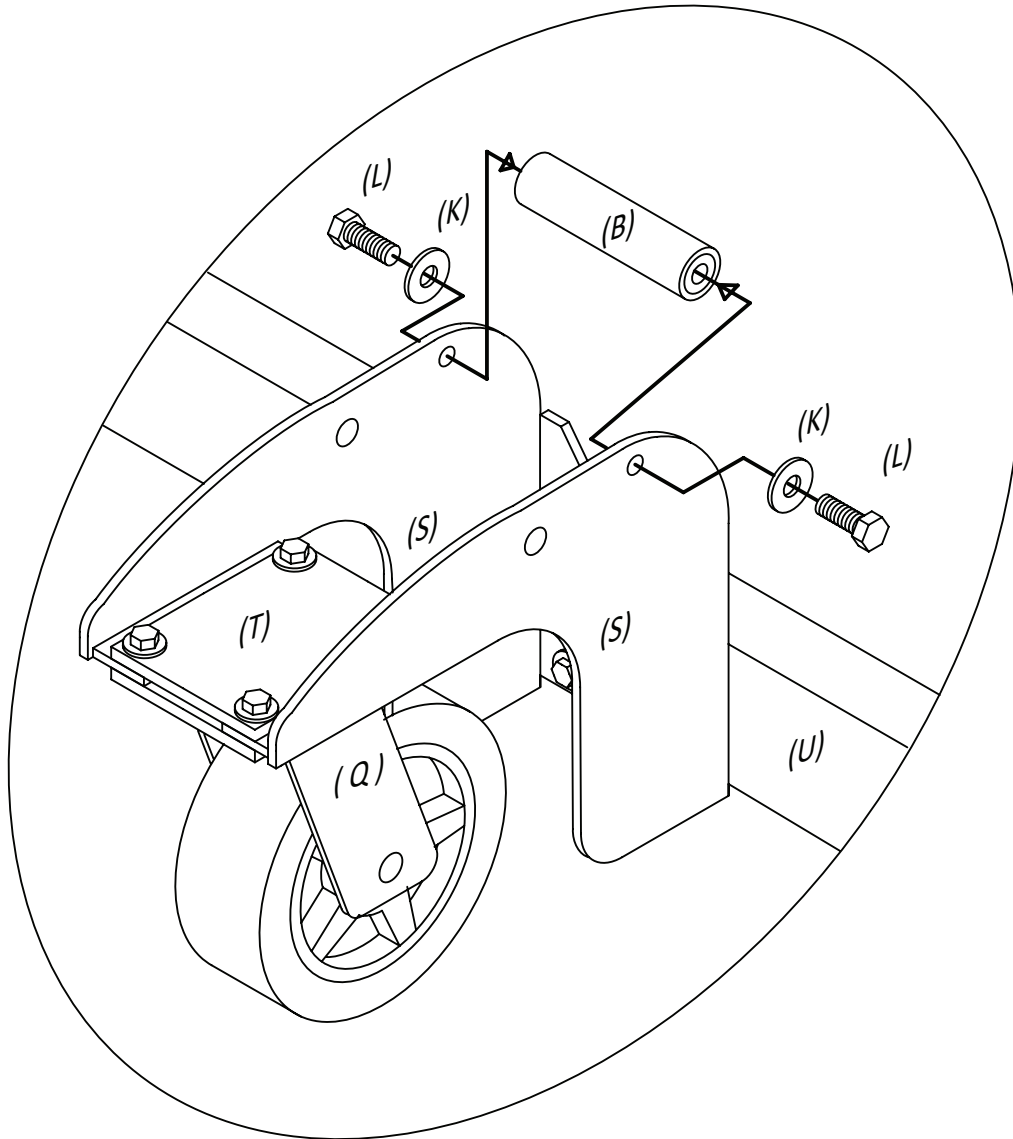
Insert a 1/4" x 1 1/4" Hex bolt (Item G) thru a 1/4" Washer (Item F) through Caster Spacer (Item T) through Caster Mount (Item S) through Caster (Item Q) thru 1/4" washer (Item F) and thread on a 1/4" Nyloc Nut (Item E)

Repeat for the remaining 3 locations.

Fasten the caster assembly only enough so that it is still movable. Do not tighten the bolts until they prevent movement.

ATMOS

Step 5. Handle stopper assembly



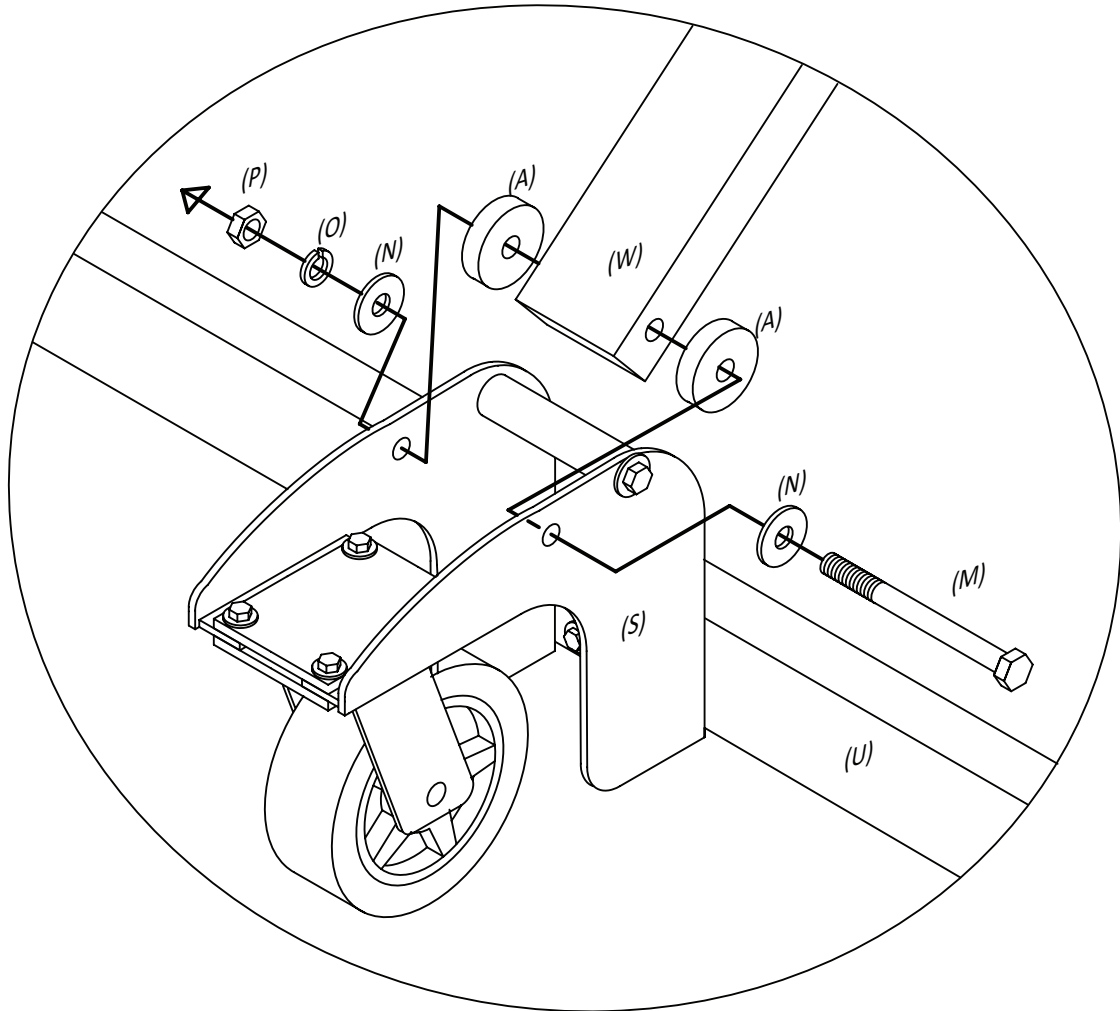
(Step 5) Handle Stopper Assembly.

Attach Handle Stopper Assembly (Item B) to the rear set of holes in Caster Mounts (Item S) using 2pcs 3/8" x 1" Hex Bolt (Item L), 2 pcs 3/8" Washers (Item K).

Just thread in the bolts to keep the Handle Stopper from falling out. Do not tighten the bolts at all.

ATMOS

Step 6. Tongue assembly



(Step 6) Tongue Assembly.

Attach Tongue (W) in between Caster Mounts (Item S). Insert a $\frac{1}{2}$ " x $5 \frac{1}{2}$ " Hex Bolt (Item M) through a $\frac{1}{2}$ " Washer (Item N) through Caster Mount (Item S) through Lower Tongue Bushing (Item A) through Tongue (Item W) through Lower tongue bushing (Item A) through Caster Mount (Item S) through $\frac{1}{2}$ " Washer (Item N) through $\frac{1}{2}$ " lock washer (Item O) and thread on a $\frac{1}{2}$ " Nut (Item P).

Tighten this assembly until the Tongue (Item W) can still be pivoted but has some resistance. The Tongue should not be loose or the handle will feel wobbly when operating this sweeper.

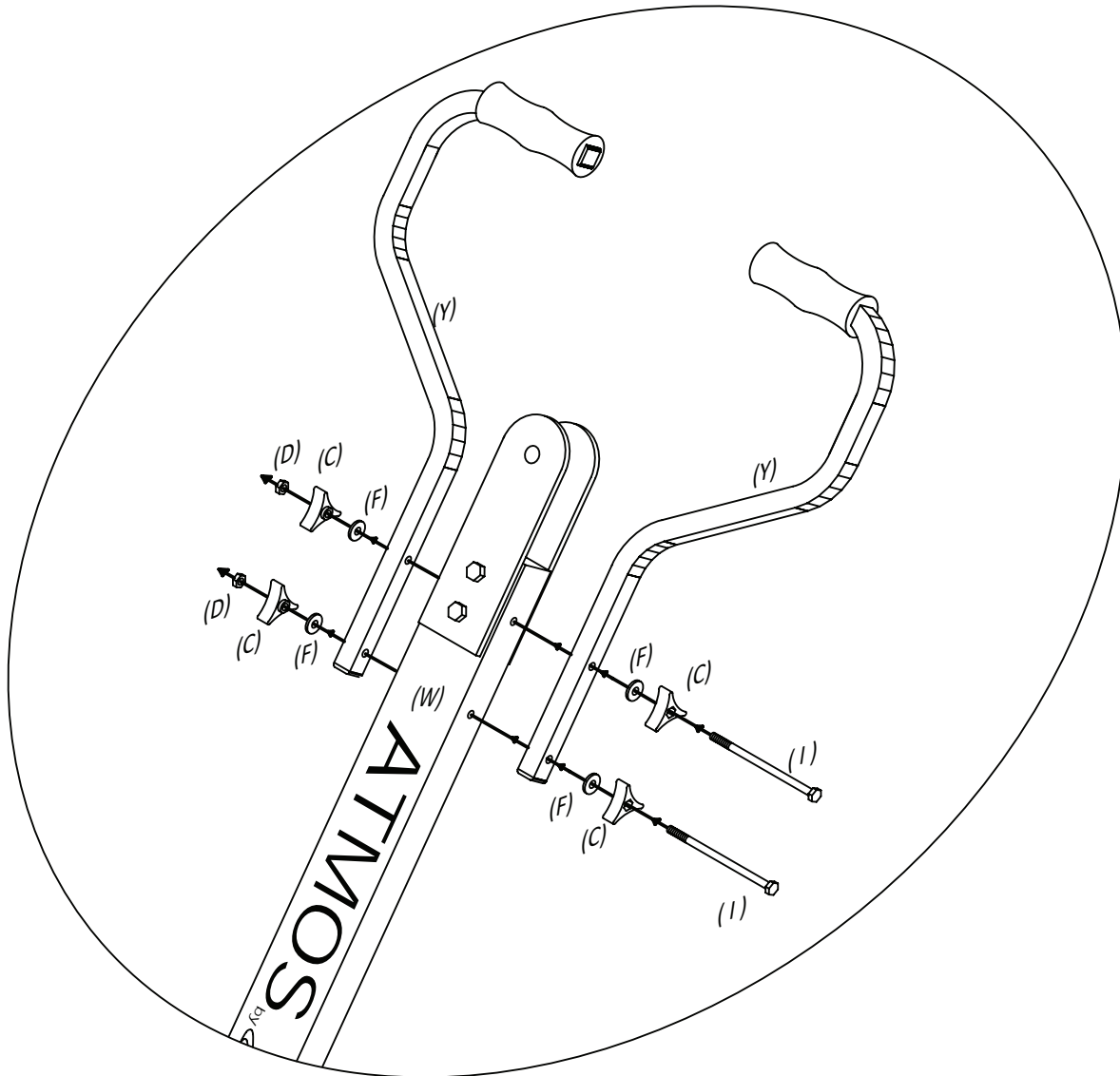
Tighten the bolts in step 5.

Tighten the bolts in step 3.

Tighten the bolts in step 4.

ATMOS

Step 7a. Handles assembly



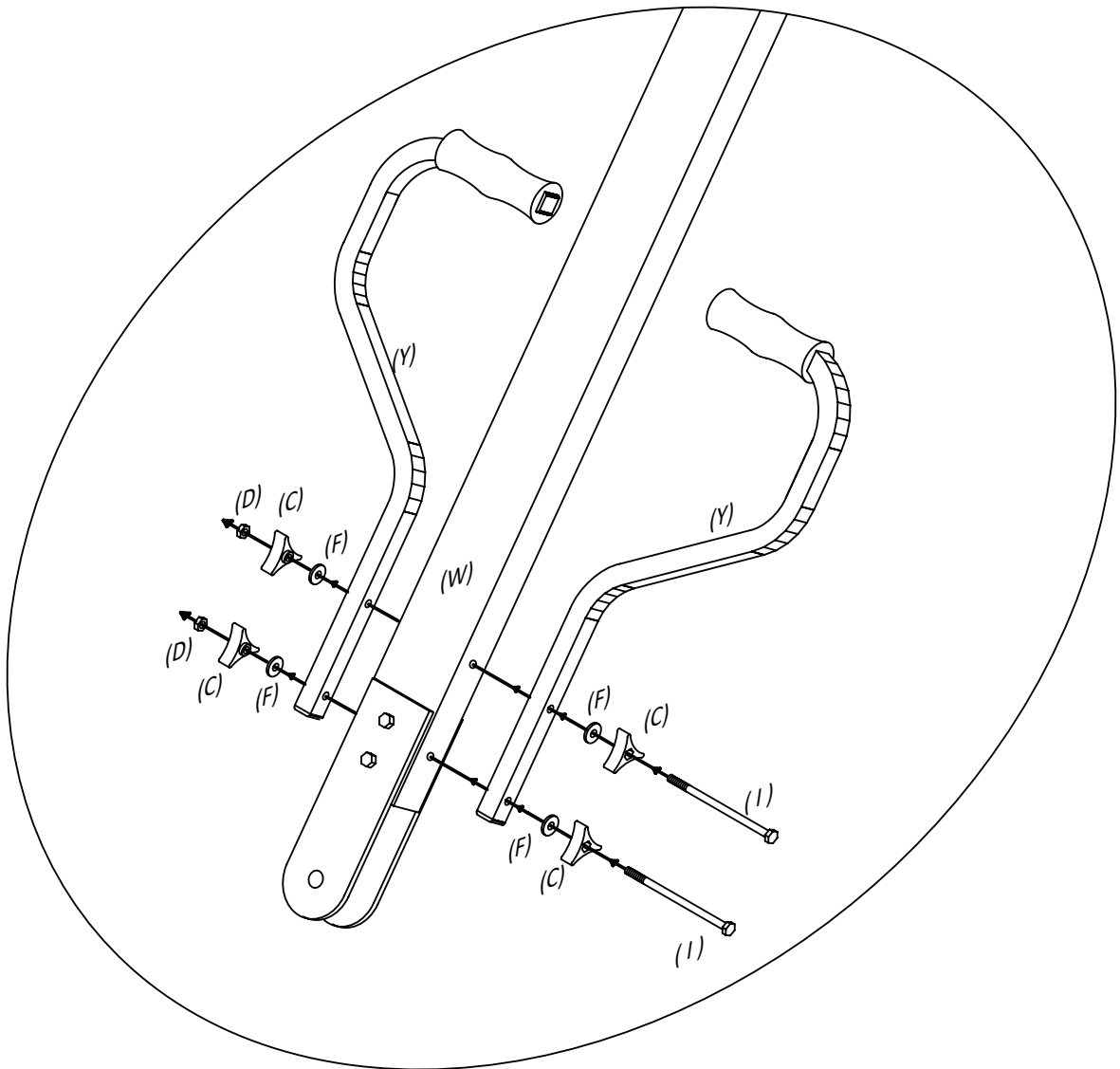
Step 7a) Handles Assembly for Walk Behind Operation.

Attach Handles (Item Y) to Tongue (Item W) using 2pcs $\frac{1}{4}$ " x 5 $\frac{1}{2}$ " Hex Bolt (Item I), 4pcs $\frac{1}{4}$ " Washers (Item F), and 2 pcs $\frac{1}{4}$ " Nuts (Item D) and 4 pcs Tri Knobs (Item C).

Hand tighten these bolts using the Tri Knobs.

ATMOS

Step 7b. Handles assembly for two behind



(Step 7b) Handles Assembly for Tow Behind Operation.

If you choose to use your sweeper as a tow behind trailer simply install the Handles so they are facing down toward the Sweeper Assembly. Then flip the tongue all the way forward so you can attach the draw bar to your tow vehicle.

Bluestreak Equipment • 1645 Hwy #3 • Delhi • Ontario • Canada • N4B2W6
www.blustreakequipment.com